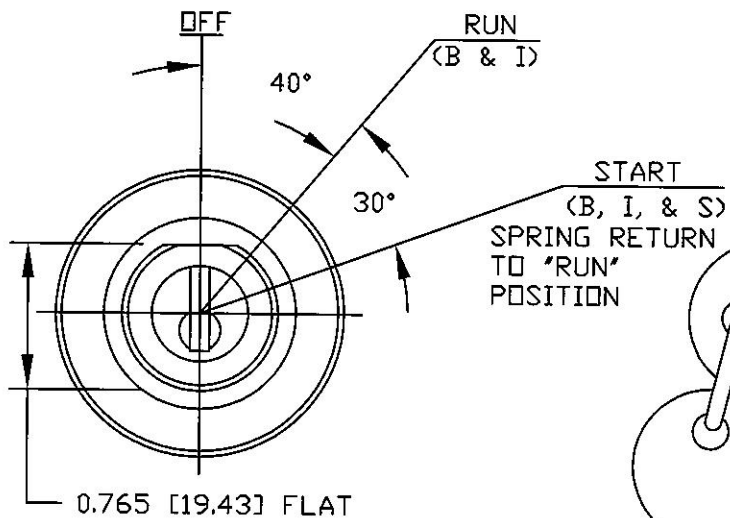
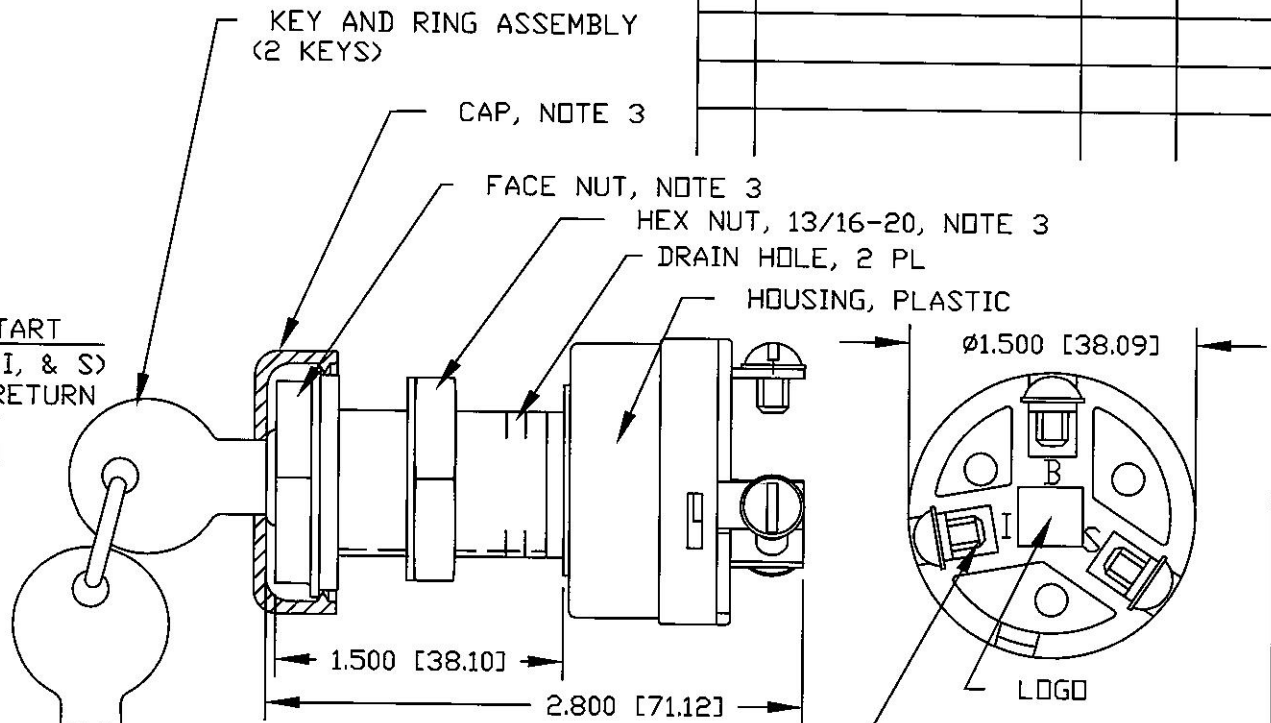


LEGEND		
POSITION	CIRCUIT	AMPS
OFF	NONE	--
RUN	B + I	15
START	B + I + S	20

Revision Control Record			
Rev.	Description of Change	ECN No.	Date
A	PUT ON CAD	10261	06/16/10



VIEW LESS CAP, FACE & HEX NUT



- NOTES:
1. ALL STEEL PARTS PLATED
 2. TERMINAL HARDWARE, 3 SCREWS, 3. WASHERS ASSEMBLED
 4. MOUNTING HARDWARE 1 HEXNUT, FACENUT & CAP SHIPPED LOOSE
 5. FIVE (5) KEY CODES
 6. RATING: 12V DC
 7. ALL DIMENSIONS ARE REFERENCE ONLY

Tolerances Unless otherwise specifically noted, the following are default tolerances:

2-places +/- 0.02"	3-places +/- 0.005"	Angular +/- 1°
------------------------------	-------------------------------	--------------------------

Metric: Shown in [] refers to equivalent English Dim Tol

"REF." or an Asterisk (*) = Non-Toleranced Reference Dimension, shown for clarification purposes only.

NOTE: All tolerances are Non-Cumulative.

PROPRIETARY INFORMATION
This Engineering Drawing, and the information contained herein, is proprietary to Cole Hersee Company and may not be disclosed, re-produced, or in any other way transferred or communicated to any other party without the express written consent of an authorized representative of Cole Hersee Company.

- Special Characteristics:**
- CC** Critical Characteristic, relating to Safety and/or Regulatory Compliance
 - X** Significant Characteristic relating to Process Control
 - KC** Control Dimension relating to Form - Fit - Function as defined by Cole Hersee Company and/or the Customer

Cole Hersee Co.
20 Old Colony Ave., South Boston, MA, 02127
Phn: 617-268-2100 Web: www.colehersee.com

Description: **SW, ROT,IGN**

Drawing / Part No.: **M-850**

Current Rev.: **A**