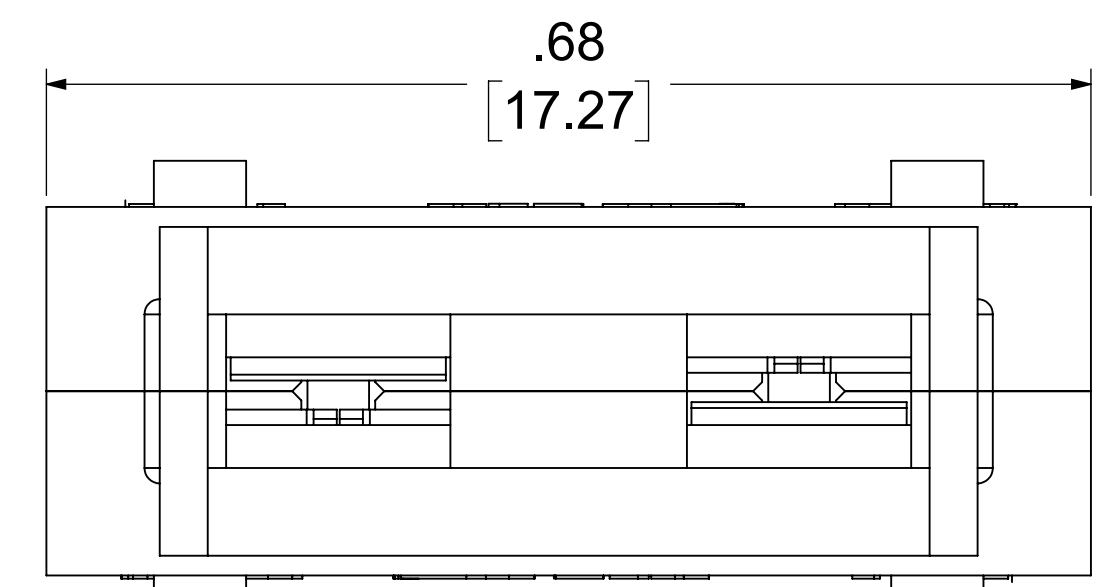
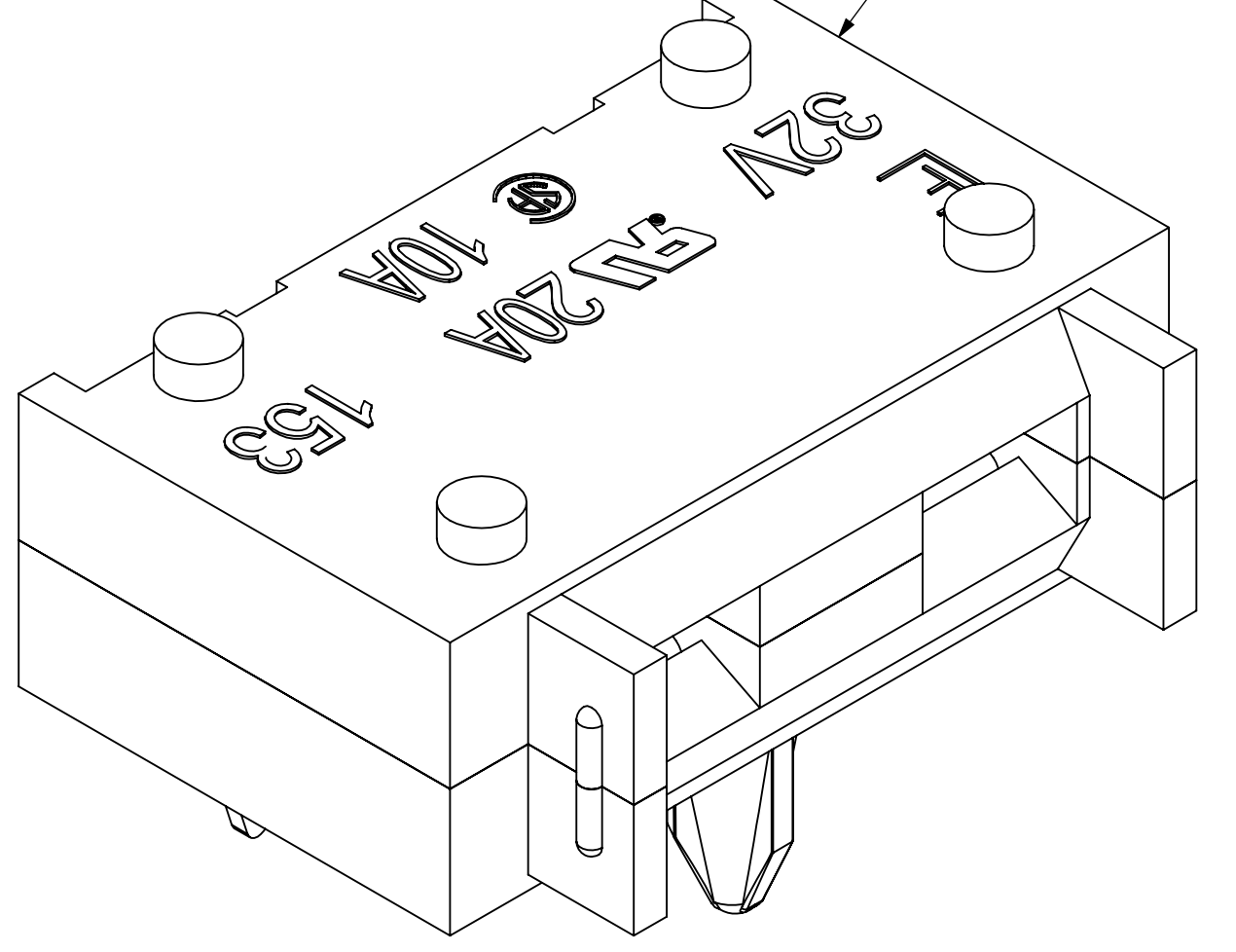
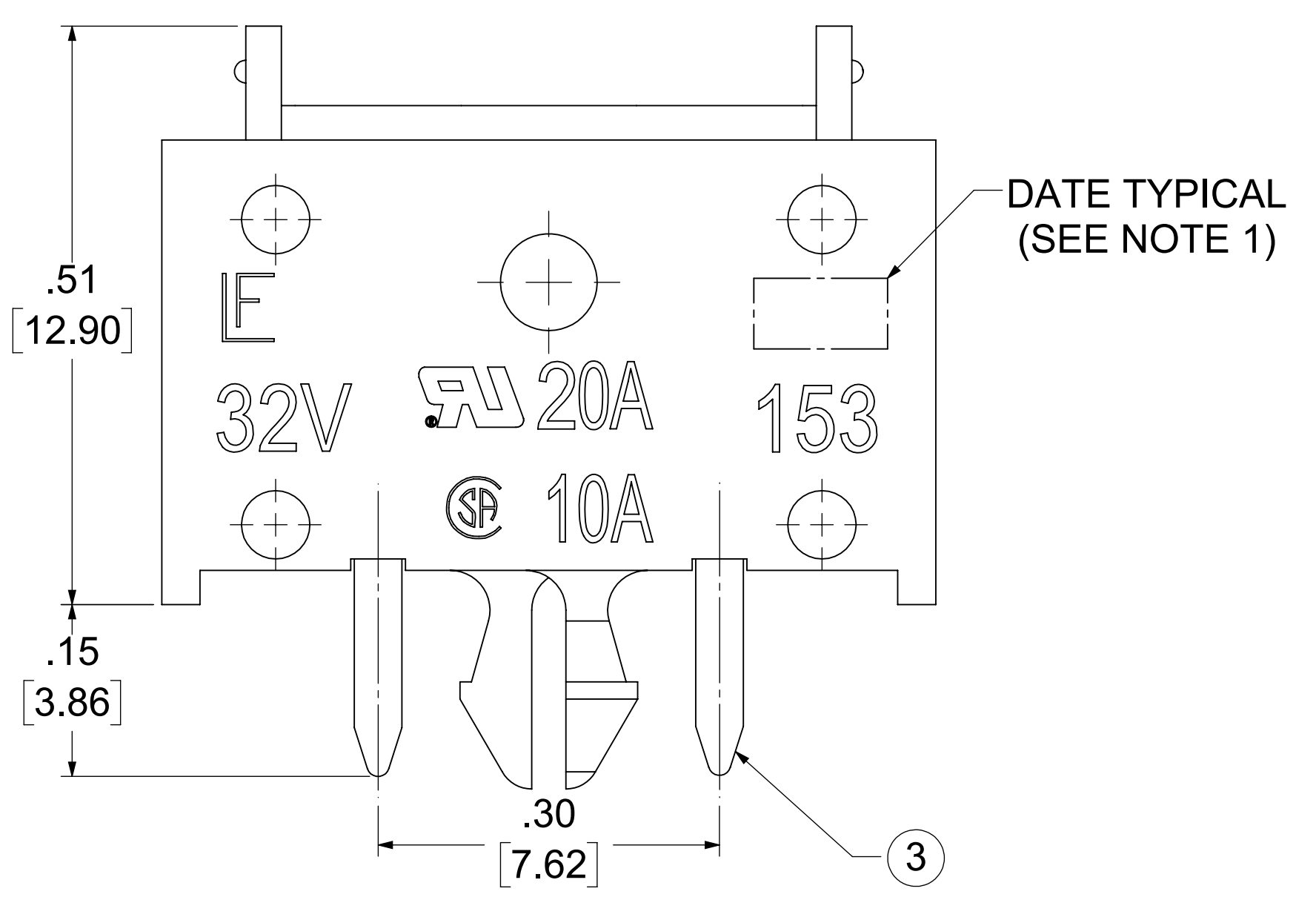
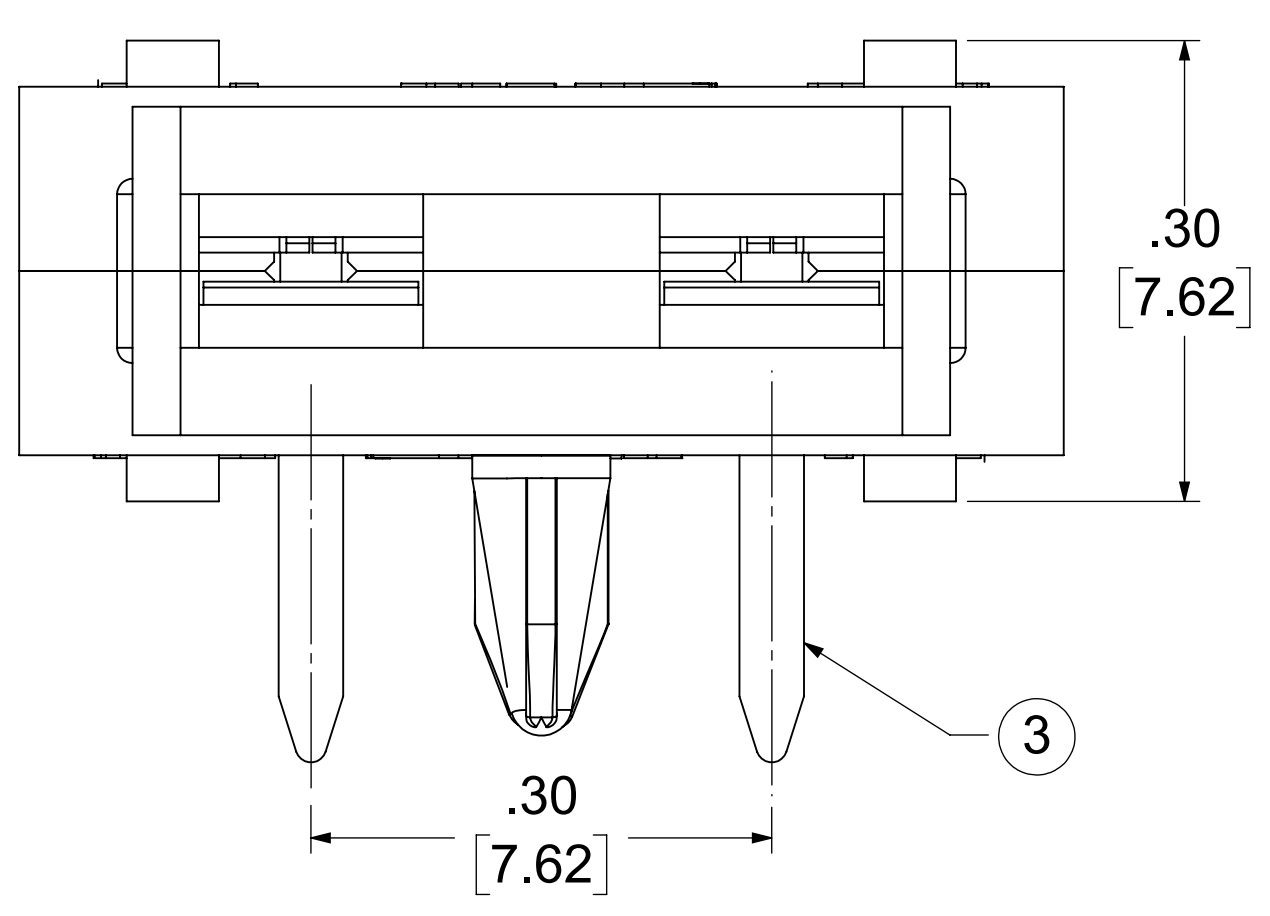
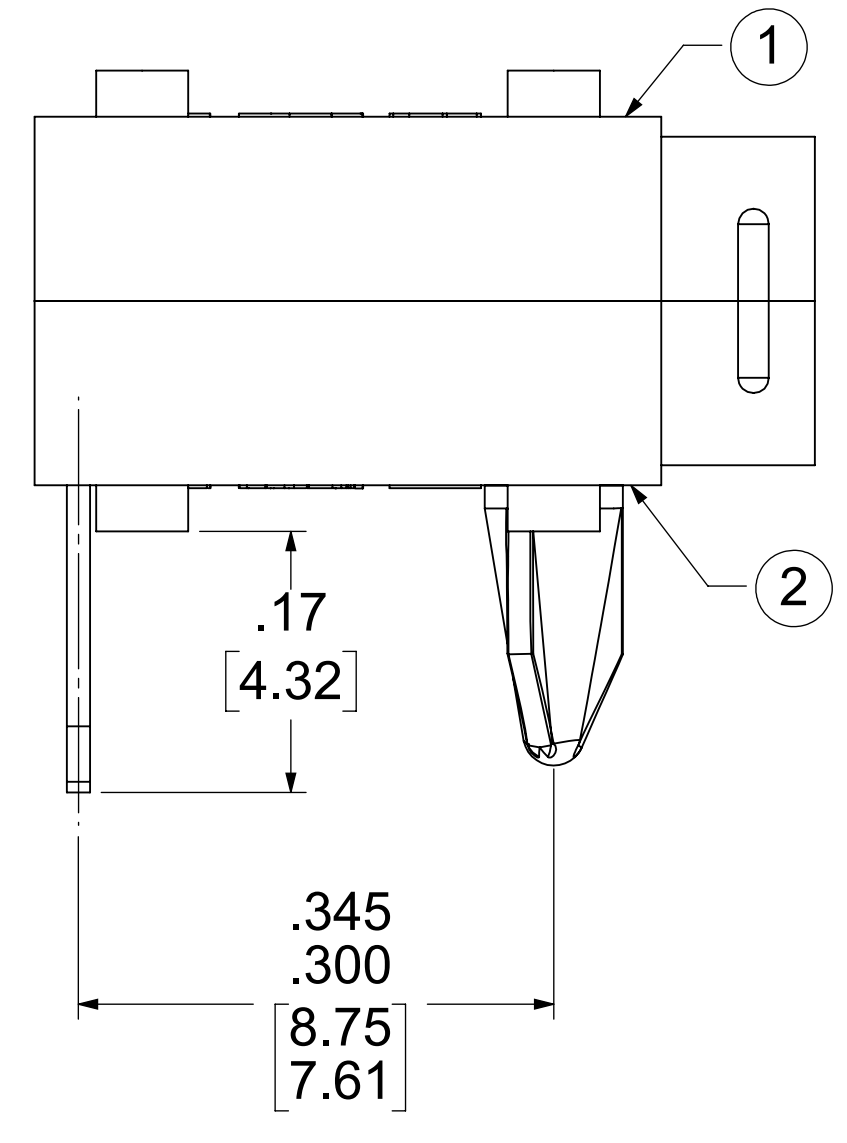
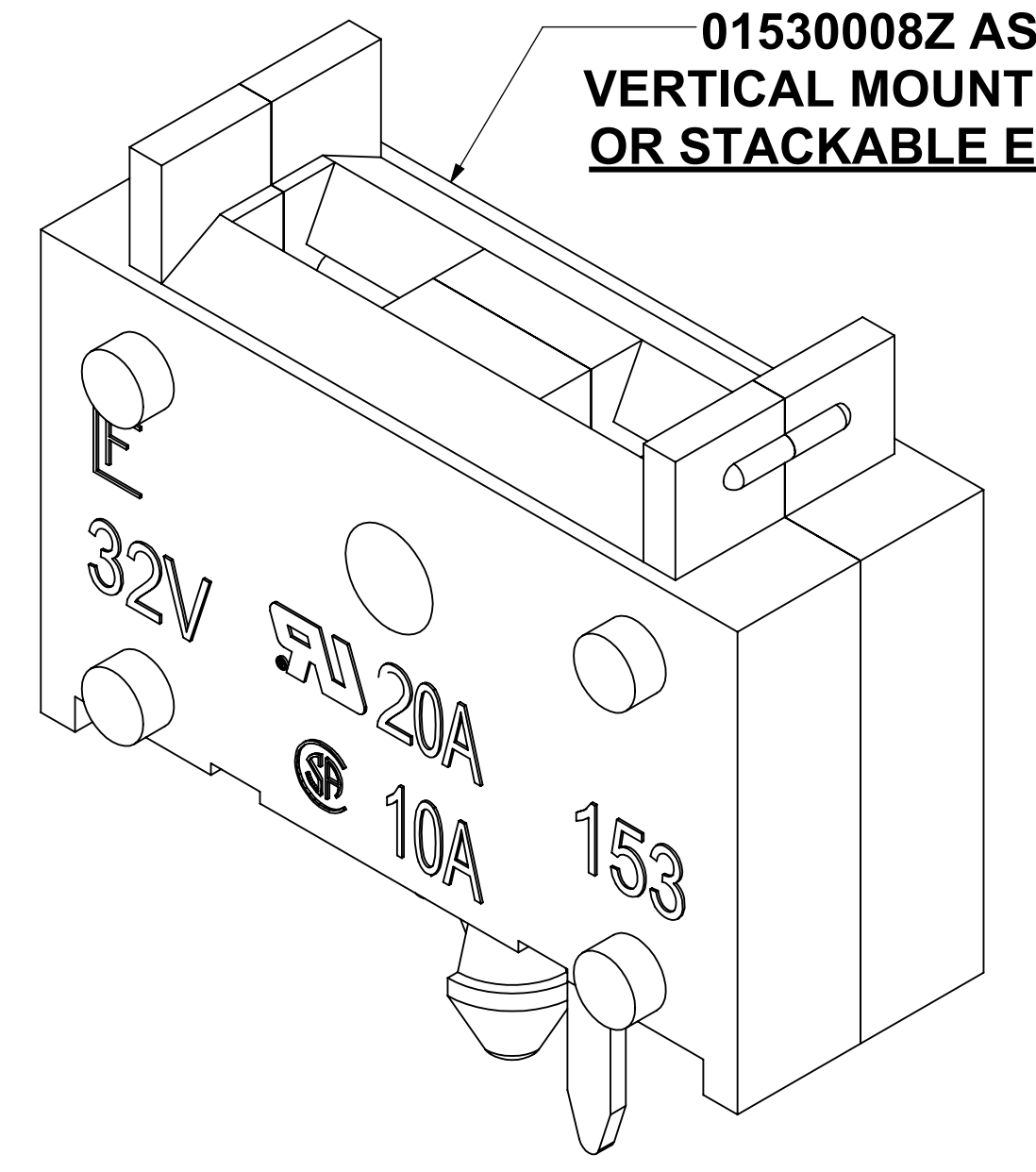


DATE TYPICAL  
(SEE NOTE 1)

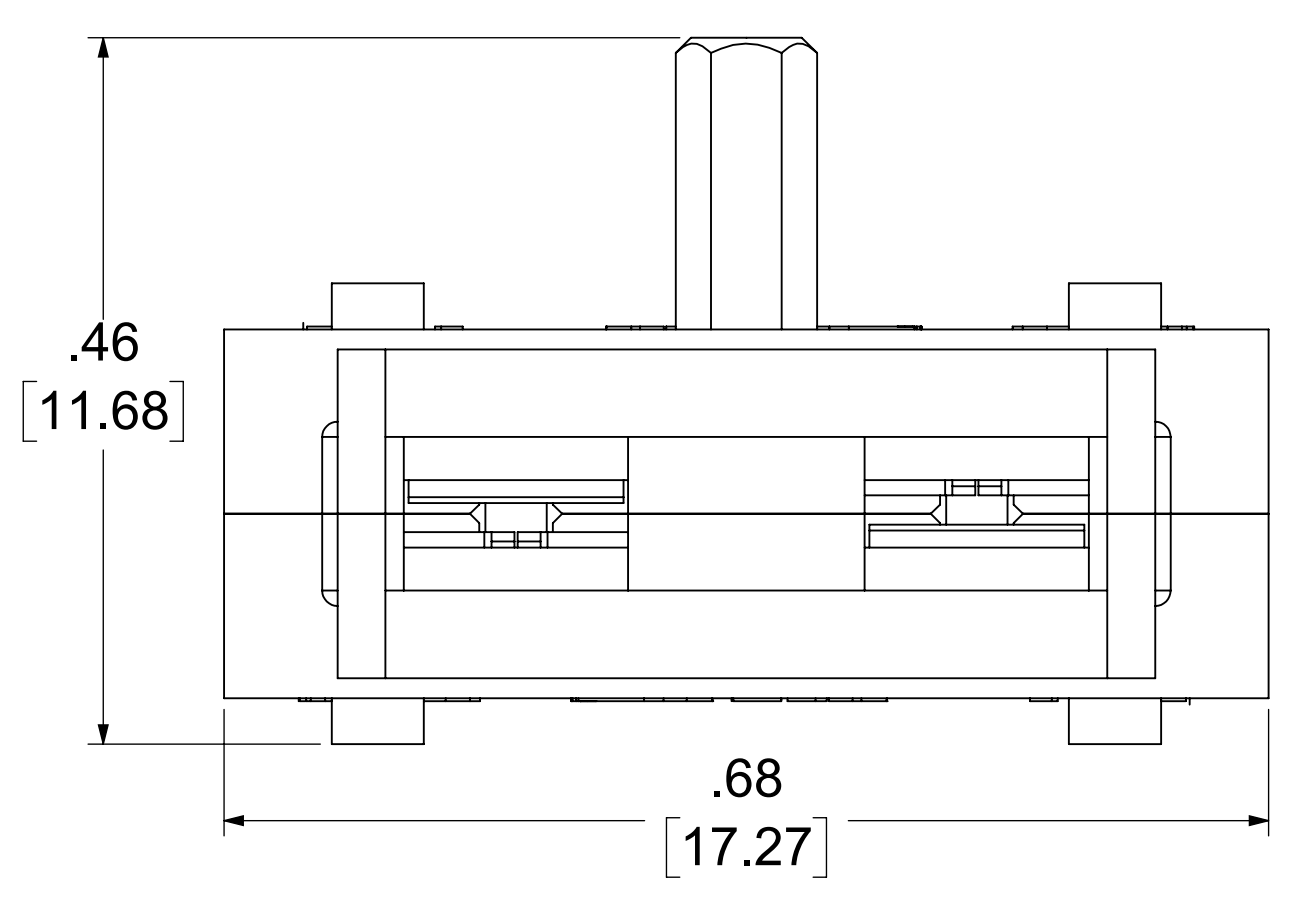
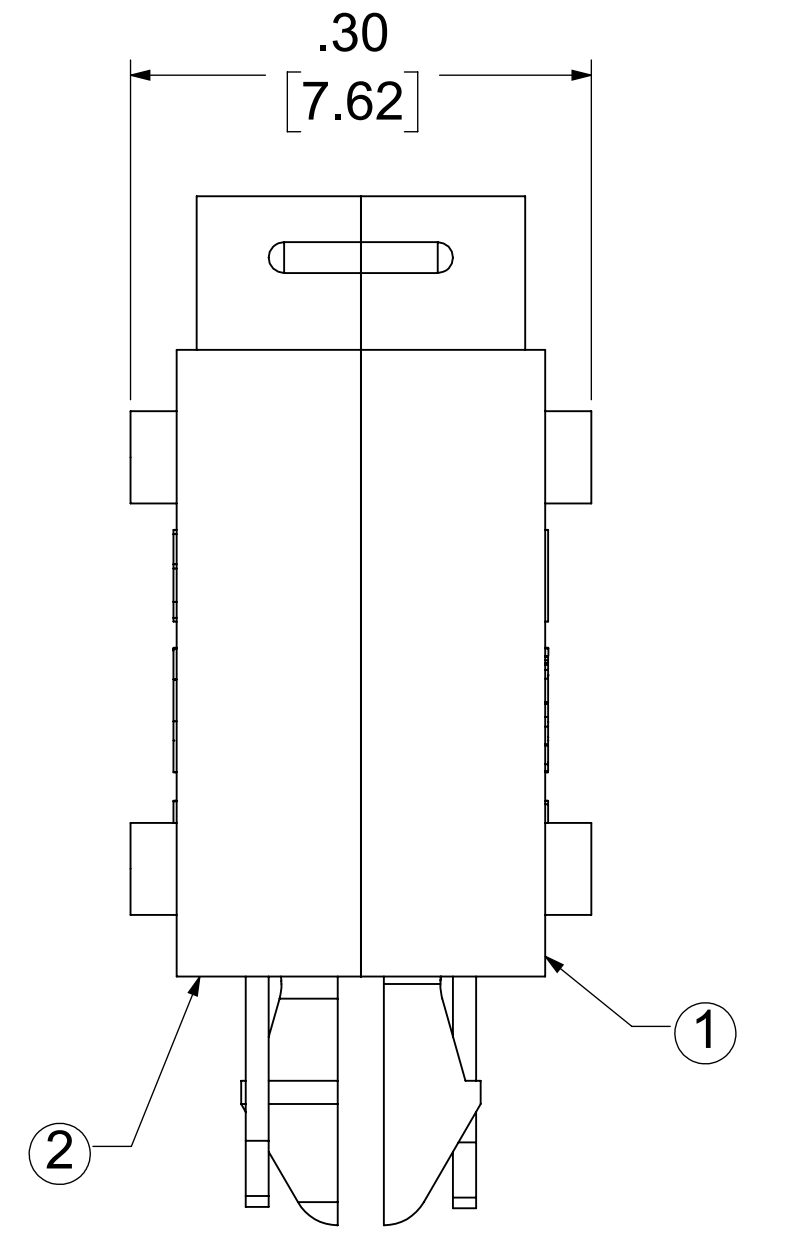
**01530007Z ASSEMBLY  
HORIZONTAL MOUNT**



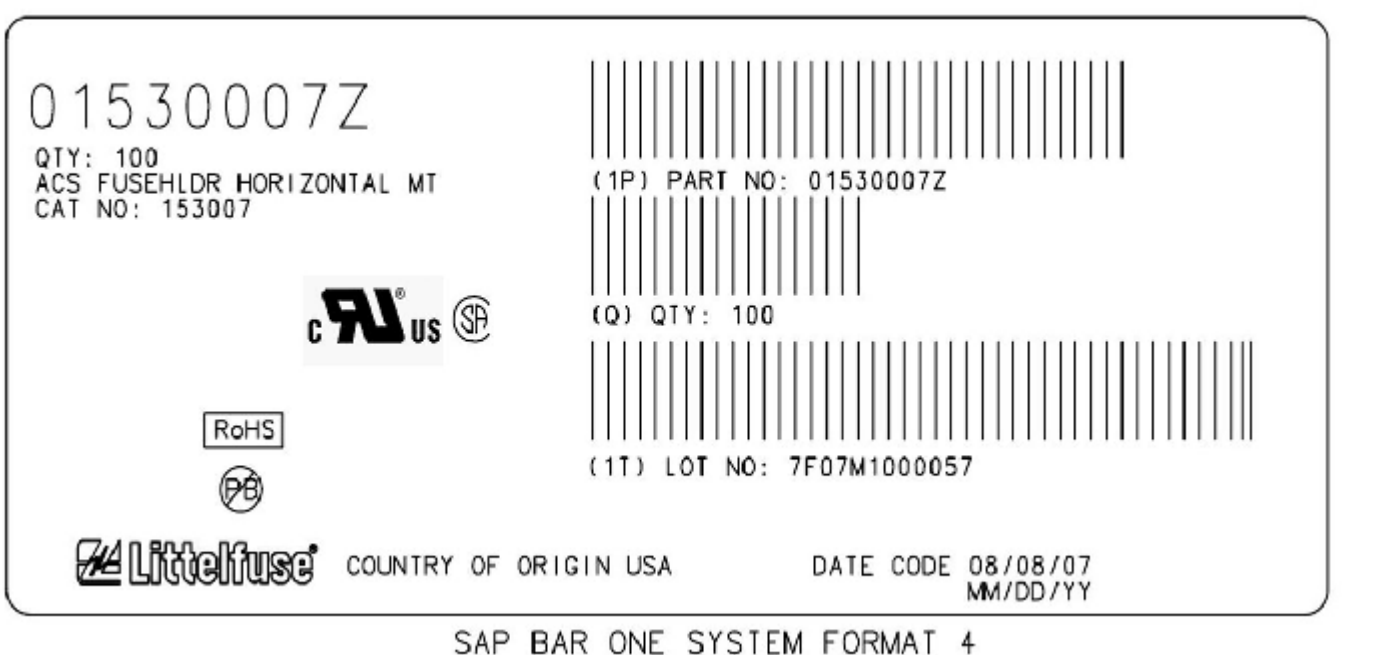
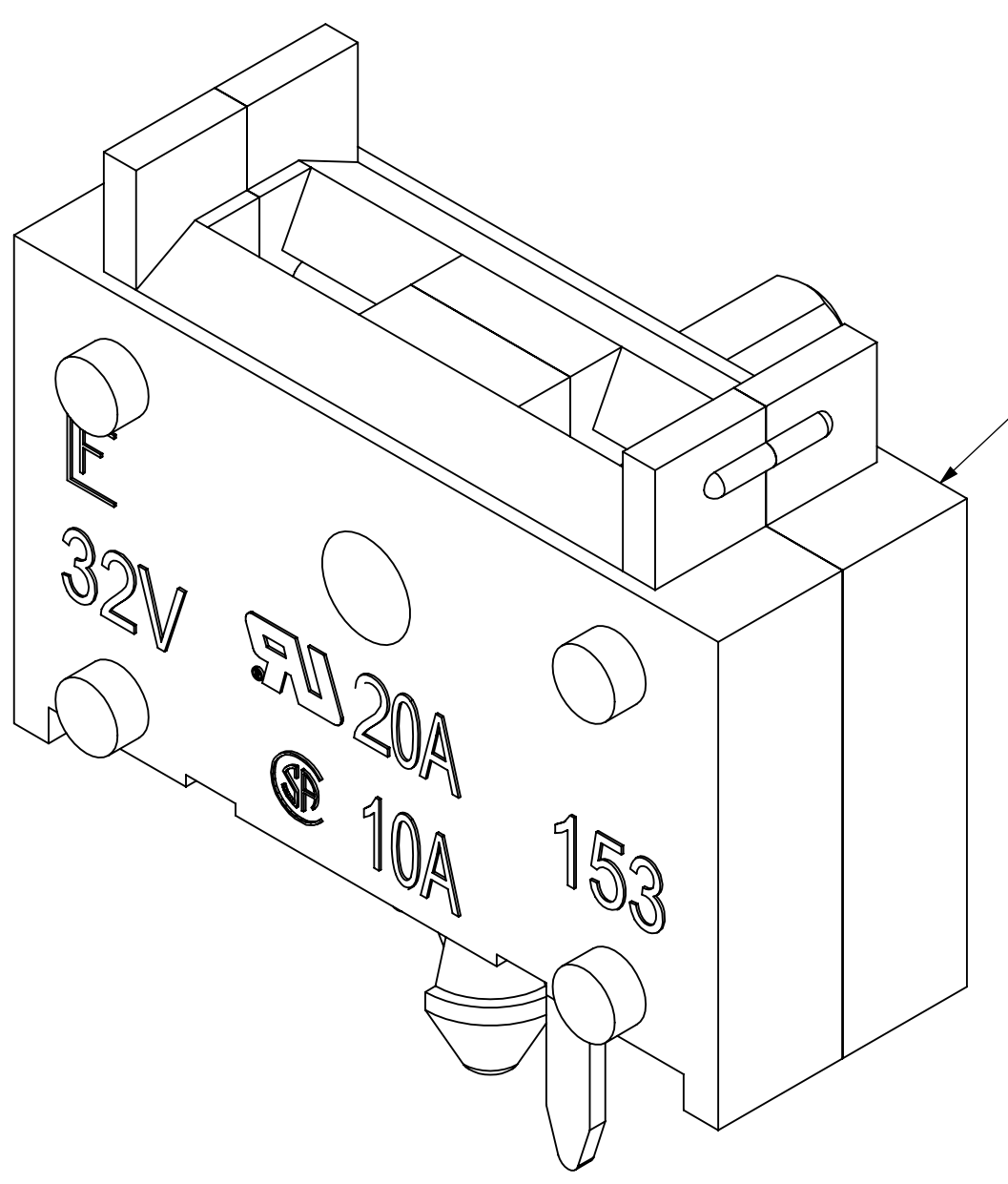
**01530008Z ASSEMBLY  
VERTICAL MOUNT SINGLE UNIT  
OR STACKABLE END UNIT (RH)**



DATE TYPICAL  
(SEE NOTE 1)



**01530009Z ASSEMBLY  
VERTICAL MOUNT  
STACKABLE UNIT**

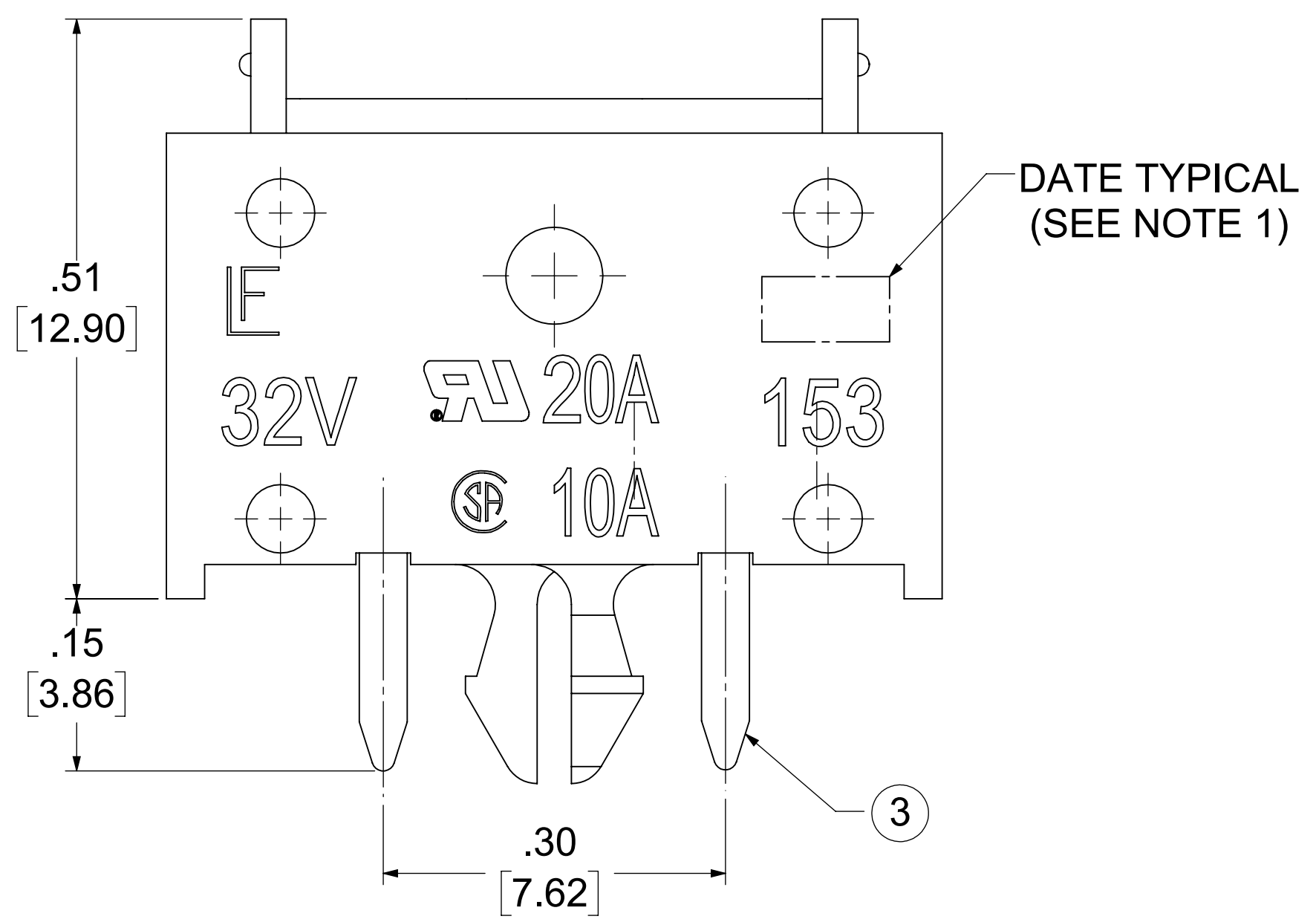


**NOTES.**

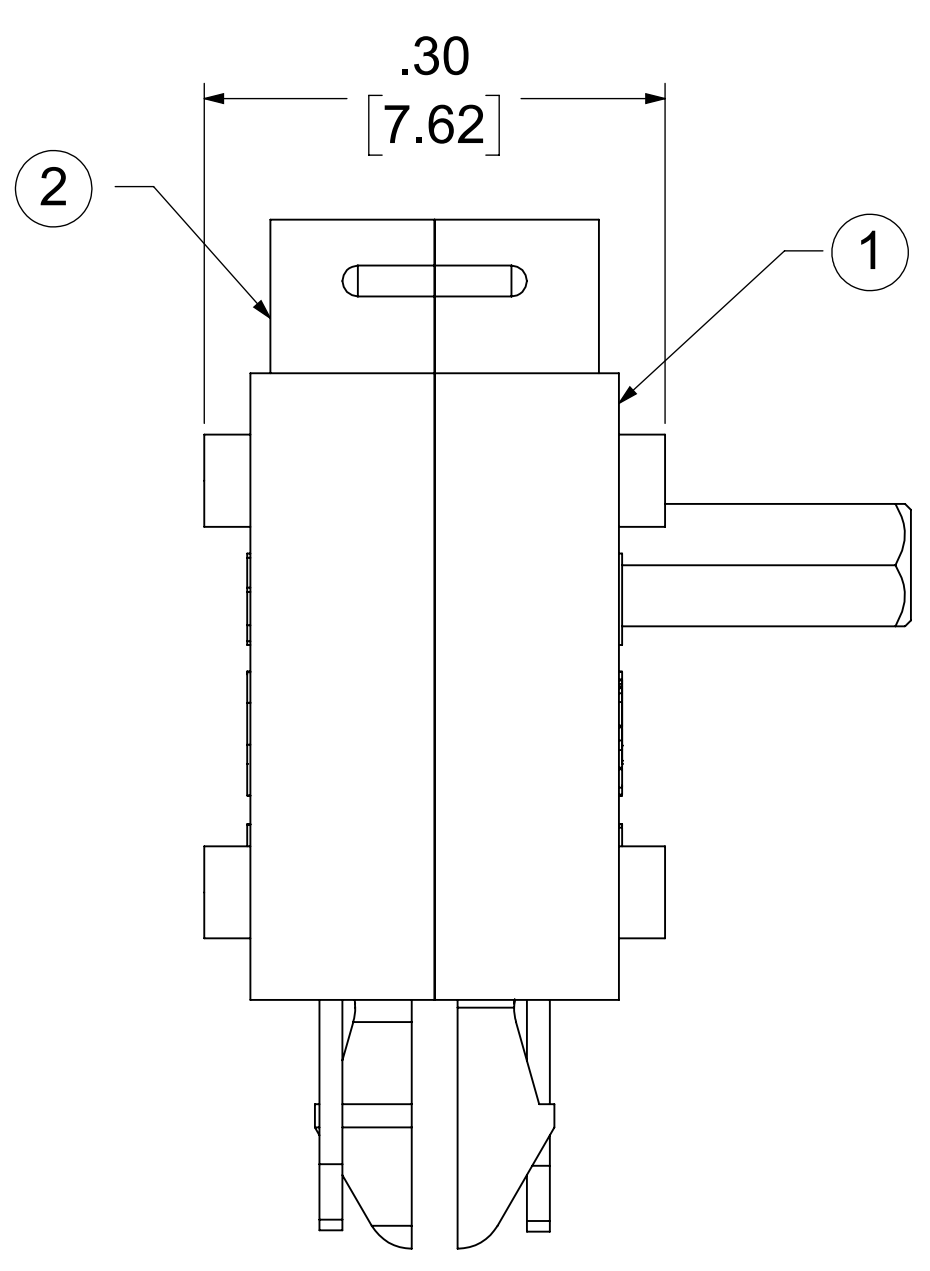
- 2 CHARACTER DATE CODE (EXAMPLE JAN 1997 = A7)
- MATERIAL:  
BODY HALFS; THERMOPLASTIC  
TERMINALS; COPPER ALLOY, TIN/NICKEL PLATING
- ALL DIMENSIONS ARE FOR REFERENCE

**PACKAGING NOTES:**

- PLACE ASSEMBLED FUSEHOLDERS (500 PCS MAX) INTO CARTON LINED WITH BAG, SEAL WITH TAPE. APPLY LABEL AND BARCODE LABEL
- FOR SMALLER QUANTITIES, USE THE SAME PACKING MATERIALS AND ADD BROWN PAPER TO FILL THE EMPTY SPACE IN THE CARTON.



DATE TYPICAL  
(SEE NOTE 1)



NO.	COMPONENT NO.	DESCRIPTION	QTY/M	UM
3	SEE DWG VIEWS	TERMINAL	2	EA
2	SEE DWG VIEWS	BODY HALF	1	EA
1	SEE DWG VIEWS	BODY HALF	1	EA

NO.	COMPONENT NO.	DESCRIPTION	QTY/M	UM
3	SEE DWG VIEWS	TERMINAL	2	EA
2	SEE DWG VIEWS	BODY HALF	1	EA
1	SEE DWG VIEWS	BODY HALF	1	EA

NO.	COMPONENT NO.	DESCRIPTION	QTY/M	UM
3	SEE DWG VIEWS	TERMINAL	2	EA
2	SEE DWG VIEWS	BODY HALF	1	EA
1	SEE DWG VIEWS	BODY HALF	1	EA

NO.	COMPONENT NO.	DESCRIPTION	QTY/M	UM
3	SEE DWG VIEWS	TERMINAL	2	EA
2	SEE DWG VIEWS	BODY HALF	1	EA
1	SEE DWG VIEWS	BODY HALF	1	EA

NO.	COMPONENT NO.	DESCRIPTION	QTY/M	UM
3	SEE DWG VIEWS	TERMINAL	2	EA
2	SEE DWG VIEWS	BODY HALF	1	EA
1	SEE DWG VIEWS	BODY HALF	1	EA

NO.	COMPONENT NO.	DESCRIPTION	QTY/M	UM
3	SEE DWG VIEWS	TERMINAL	2	EA
2	SEE DWG VIEWS	BODY HALF	1	EA
1	SEE DWG VIEWS	BODY HALF	1	EA

NO.	COMPONENT NO.	DESCRIPTION	QTY/M	UM
3	SEE DWG VIEWS	TERMINAL	2	EA
2	SEE DWG VIEWS	BODY HALF	1	EA
1	SEE DWG VIEWS	BODY HALF	1	EA

NO.	COMPONENT NO.	DESCRIPTION	QTY/M	UM
3	SEE DWG VIEWS	TERMINAL	2	EA
2	SEE DWG VIEWS	BODY HALF	1	EA
1	SEE DWG VIEWS	BODY HALF	1	EA

INCHES  
[MILLIMETERS]



MINIFUSE P.C.B. FUSEHOLDER

