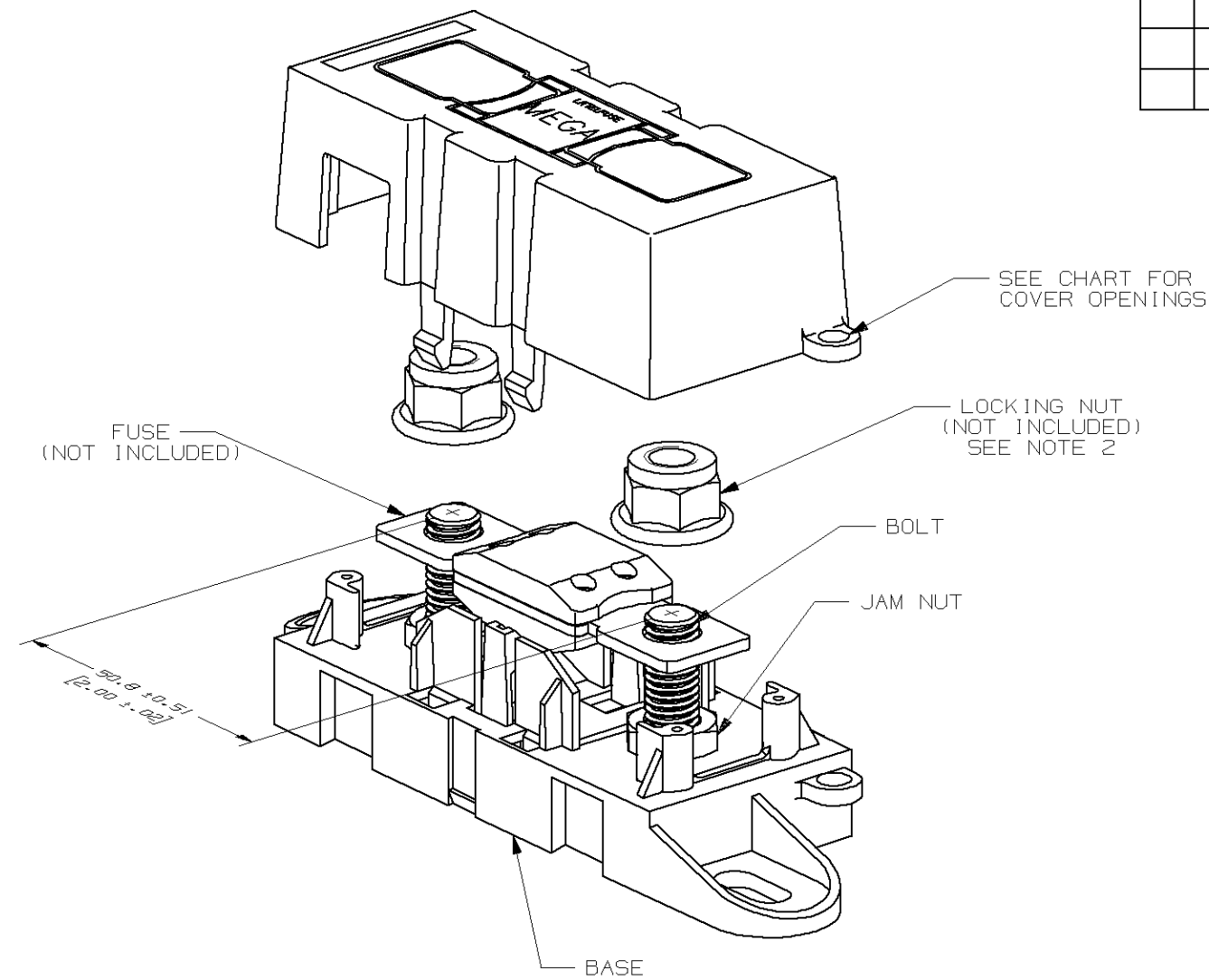
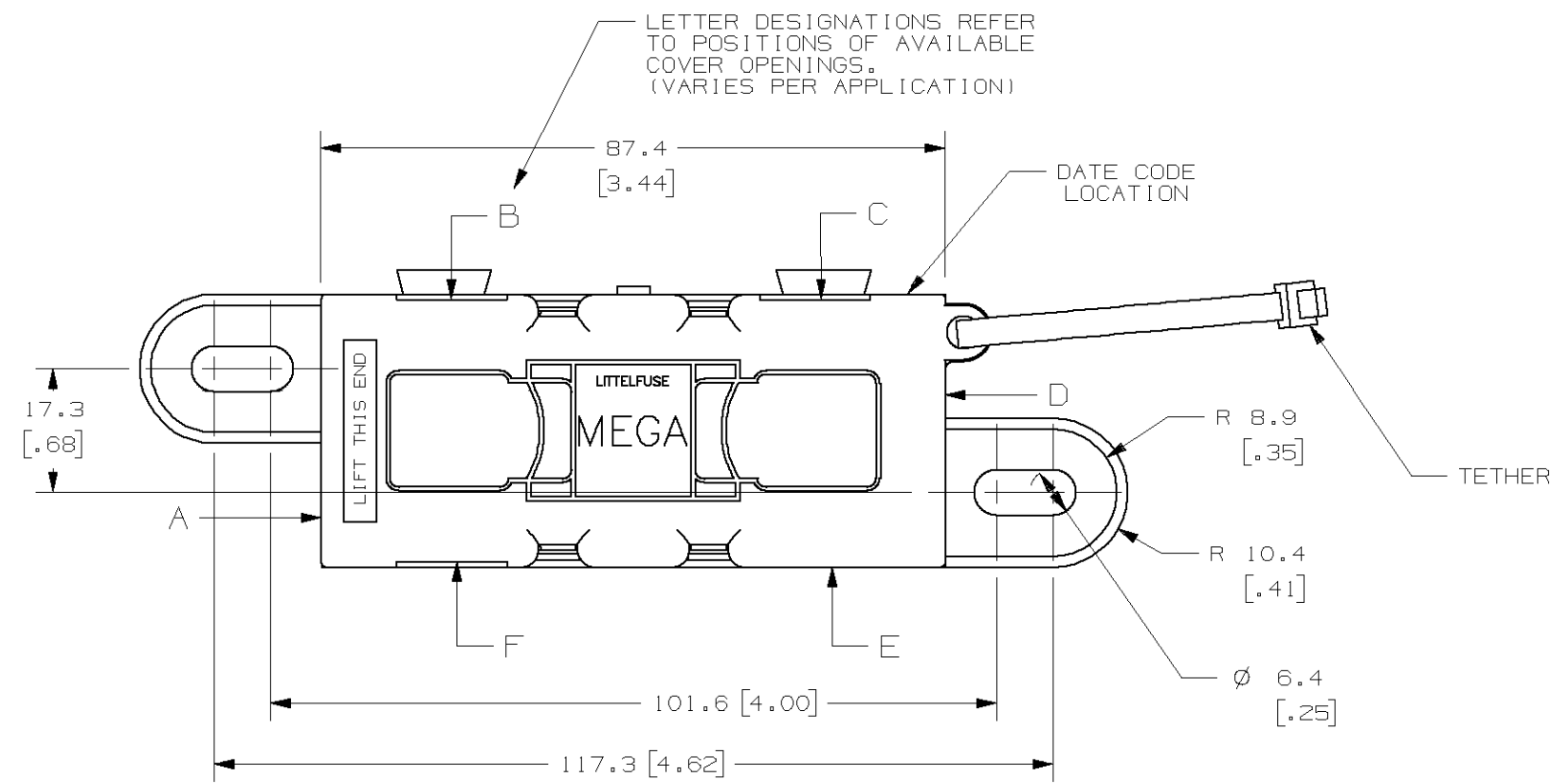
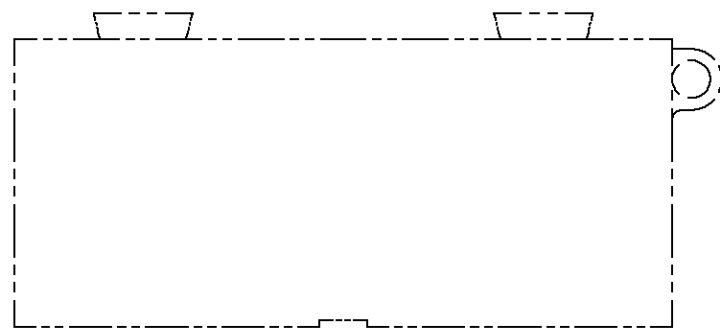


LITTELFUSE PART NUMBER	COVER OPENING POSITION
02981019ZXT	B C F

LTR	DATE	REVISION	CHK	APP
A	05/25/05	61735 - RELEASE	GLAB	
B	03/28/07	85414D-REDRAWN IN UG	GMB	
C	08/31/07	000170EC/C - REMOVE USA FROM COVER	BRK	
D	04/24/08	000463EC/D-CHG. NOTE 2	GMB	

NOTES:

- MATERIALS:
 - * BODY - GLASS FILLED THERMOPLASTIC
COLOR - BLACK
 - * COVER - THERMOPLASTIC
COLOR - BLACK
 - * WIRE TIE - THERMOPLASTIC
COLOR - BLACK
 - * STUDS & NUTS - M8 X 1.25 STEEL
ZINC PLATE WITH TRIVALENT CHROMATE, LEACHED AND SEALED.
INTEGRAL TORQUE CONTROL LUBRICANT FINISH.
(MEETS 96 HR. ASTM STD. B-117 SALT SPRAY REQ.)
- TORQUE REQUIREMENTS FOR THE HEX NUT USED TO SECURE THE CUSTOMER RING TERMINAL TO THE MEGA FUSE TO BE:
8mm NUT - 12-18 NEWTON METERS [106-159 IN-LBS]
- HOLDER MEETS L/F VALIDATION TEST SPEC. VS-005002.
- MAXIMUM FUSE RATING WITH HOLDER IS 500A.



GENERAL HOLDER & FUSE CONSTRUCTION (REF. ONLY)

NO	COMPONENT NO	DESCRIPTION	QTY/M	U/M
-				
-				
-				

BILL OF MATERIAL

UNLESS OTHERWISE SPECIFIED, DIMENSIONS ARE IN MILLIMETERS. DIMENSIONS IN BRACKETS [] ARE INCHES

UNLESS OTHERWISE SPECIFIED, DIMENSIONS DO NOT INCLUDE PLATING.

⊙	DENOTES CRITICAL CHARACTERISTICS.
CPK	DENOTES CPK DIMENSIONS. -MINIMUM CPK VALUE
ST	DENOTES A CHARACTERISTIC THAT PROVIDES AN INDICATION OF PROCESS PERFORMANCE. PROCEDURE FOR MEASUREMENT AND TRACKING TO BE DEFINED IN LITTELFUSE INSPECTION INSTRUCTIONS
CP	DENOTES CP DIMENSIONS. -MINIMUM CP VALUE MUST BE WITHIN THE DIMENSIONAL LIMITATIONS SHOWN ON DRAWING AND INITIALLY LOCATED TO ALLOW FOR MAXIMUM TOOL LIFE

COPIES TO	MATL SPEC
1 9 18	FINISH
2 10 19	
3 12 20	
4 13 21	DRW GLAB DATE 05/25/05 SCALE 1:1
5 14 23	CHK DATE SUPER DR
6 15 33	APPD DATE FINISH GOOD WT
7 16 43	
8 17 53	GRAMS/PIECE

TOLERANCE UNLESS OTHERWISE SPECIFIED
ONE PLACE DEC +/- .3 THREE PLACE DEC +/- .100
TWO PLACE DEC +/- .25 ANGULAR +/- 1°

3RD ANGLE PROJECTION	TITLE	MEGAFUSE HOLDER
Littelfuse	REVISION	DRWG. NO.
DES PLAINES, ILLINOIS 60016	D	02981019ZXT
		OUTLINE



CAD GENERATED DRAWING - NO PENCIL CHANGES ALLOWED