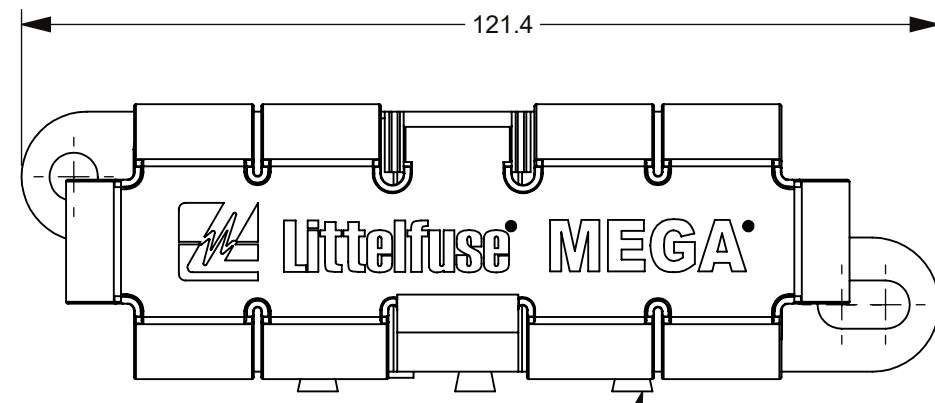
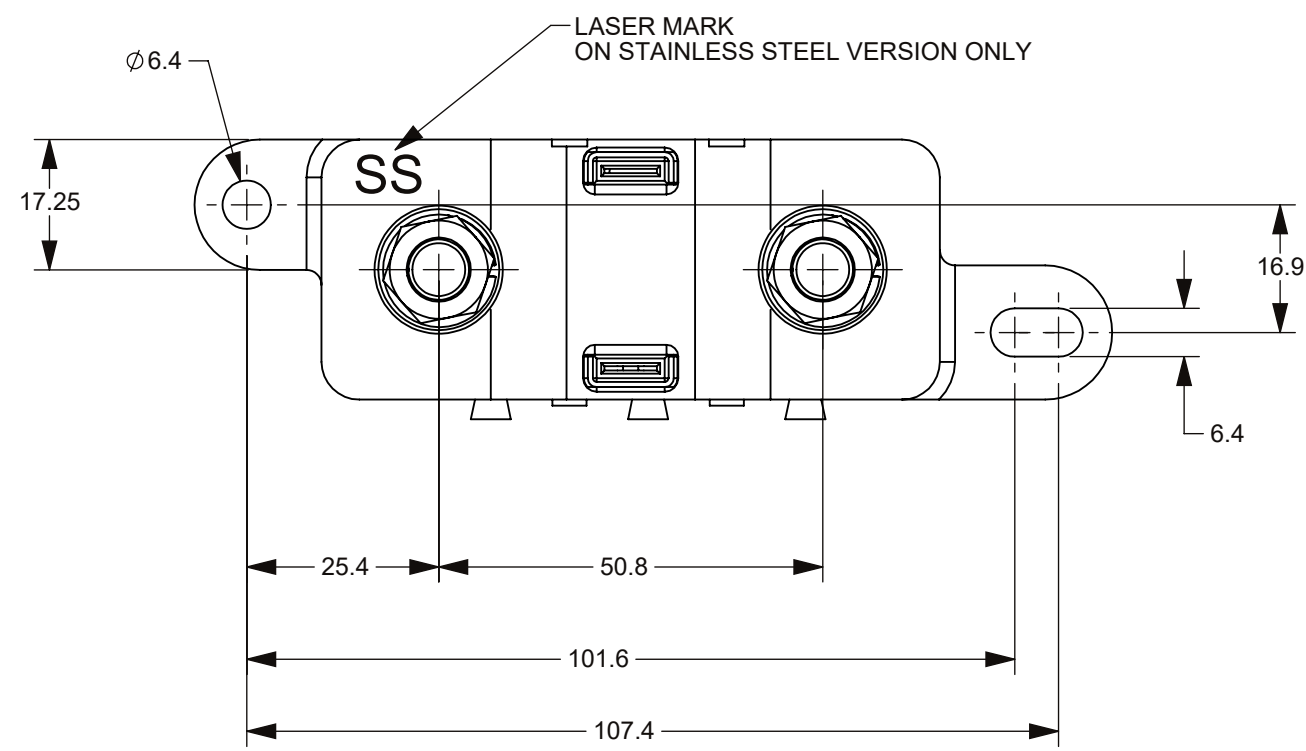
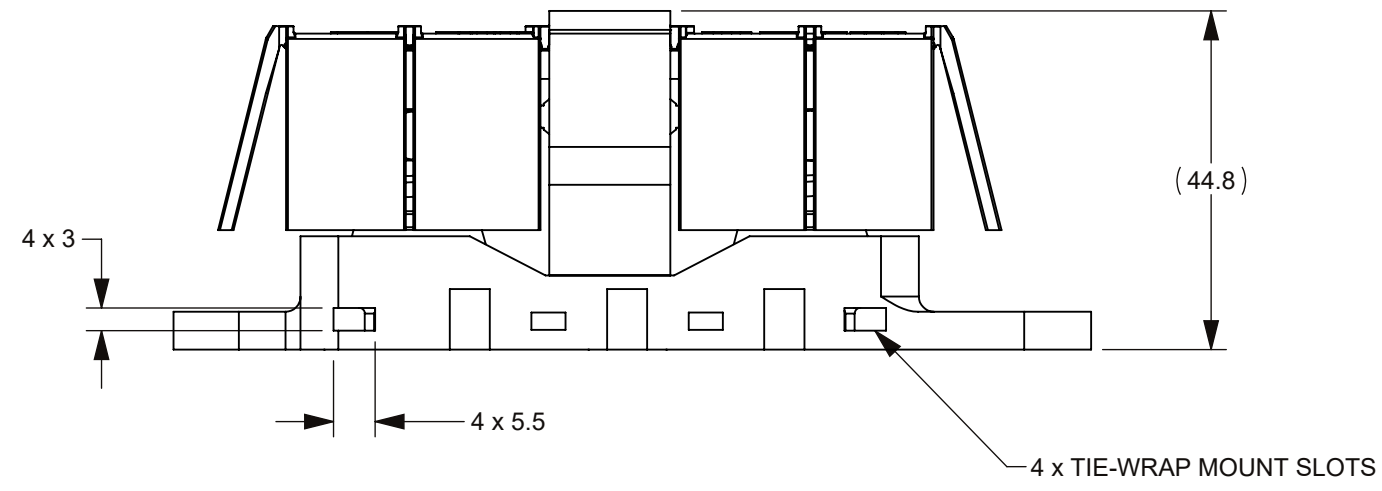
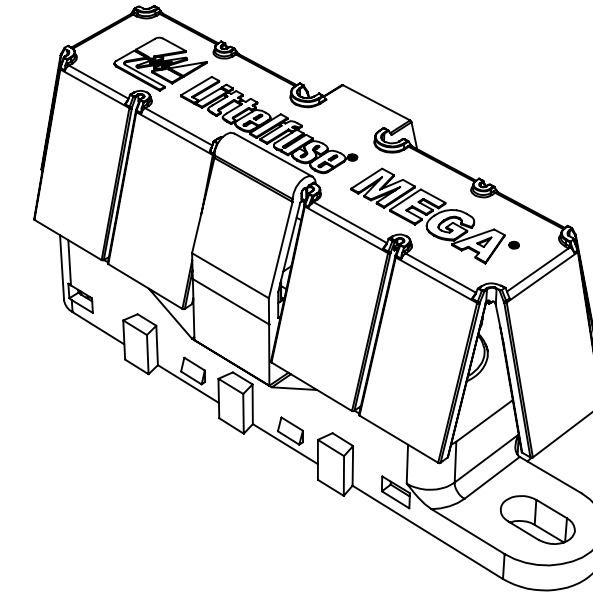
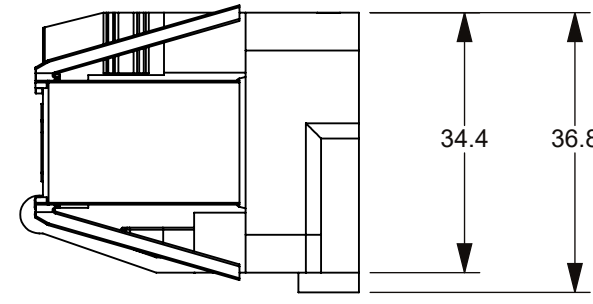


THIS DRAWING AND THE INFORMATION CONTAINED WITHIN IT ARE CONFIDENTIAL AND MAY NOT BE COPIED OR DISCLOSED WITHOUT THE WRITTEN PERMISSION OF LITTELFUSE.

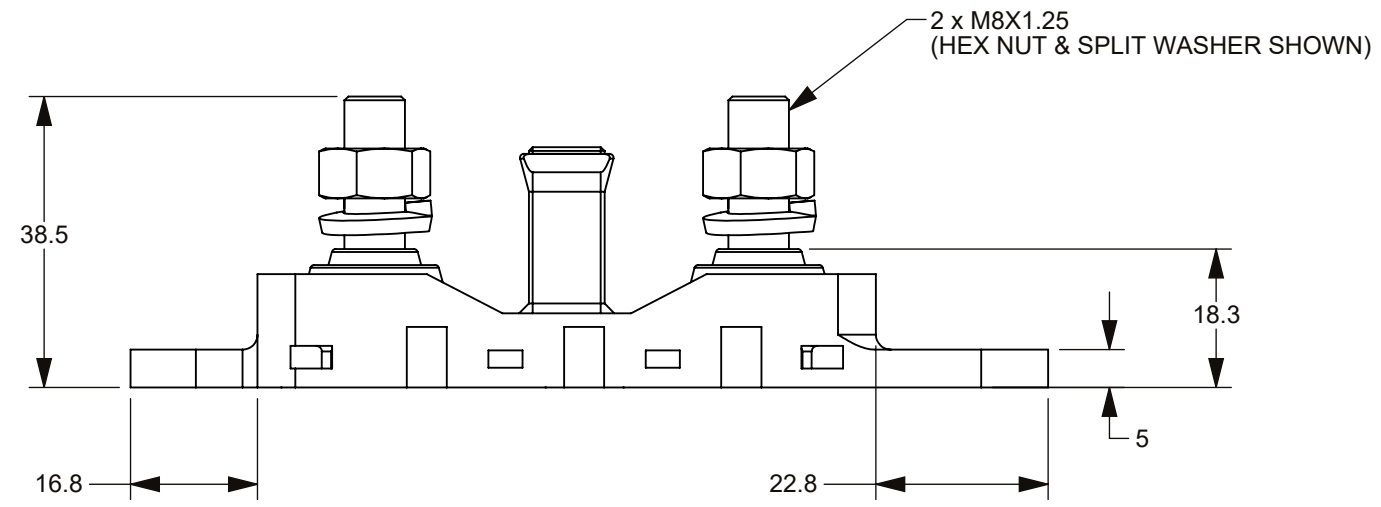
REVISIONS				
ZONE	REV.	DESCRIPTION	DATE	APPROVED
	A	510069ERA - RELEASE FYUE	02/07/2014	
	B	ECR #522133 STUD AND HARDWARE MATERIAL CHANGE FROM ZINC-PLATED STEEL TO STAINLESS STEEL JLI	03/25/2020	



DOVETAIL FEATURES USED TO INTERLOCK MULTIPLE HOLDERS



- NOTES:
- 1) BASE: UL94V-0 GLASS-FILLED PPA, BLACK  
M8 STUDS: STAINLESS STEEL  
HEX NUTS & SPLIT WASHERS: STAINLESS STEEL  
COVER: UL94V-0 ELASTOMER, RED
  - 2) MAX FUSE RATING: 500A
  - 3) M8 STUD TORQUE: 25Nm MINIMUM  
MOUNTING TORQUE (W/ M6 BOLTS & WASHERS): 5Nm
  - 4) TEMPERATURE RATING: -40 °C TO 125 °C
  - 5) WIRE SIZE: 8mm<sup>2</sup> TO 30mm<sup>2</sup>



DIMENSIONS ARE SHOWN IN MILLIMETERS. DIMENSIONS AND TOLERANCES ARE DEFINED ACCORDING TO ANSI/ASME Y14.5-1994.	
●	FIT FUNCTION CRITICAL CHARACTERISTICS SYMBOL
<S>	SAFETY/ COMPLIANCE CRITICAL CHARACTERISTICS SYMBOL
CPK	DENOTES CPK DIMENSIONS MINIMUM CPK VALUE
(ST)	DENOTES A CHARACTERISTIC THAT PROVIDES AN INDICATION OF PROCESS PERFORMANCE PROCEDURE FOR MEASUREMENT AND TRACKING TO BE DEFINED IN LITTELFUSE INSPECTION INSTRUCTIONS
CP	DENOTES CP DIMENSIONS - MINIMUM CP VALUE MUST BE WITHIN THE DIMENSIONAL LIMITATIONS SHOWN ON DRAWING AND INITIALLY LOCATED TO ALLOW FOR MAXIMUM TOOL LIFE

DIMENSION: MM TOLERANCES UNLESS OTHERWISE SPECIFIED	
ONE PLACE DECIMAL ± 0.5	THREE PLACES DECIMAL ± 0.100
TWO PLACES DECIMAL ± 0.20	ANGULAR ± 2°
NAME	DATE
DRAWN FYUE	02/07/2014
CHECKED	
<p><b>Littelfuse</b> Expertise Applied   Answers Delivered</p>	
FORM NO: CVP-PE40-0006 REV A	
THIRD ANGLE PROJECTION	
SIZE C	DWG. NO. OL-02981028HXFC-RED
DO NOT SCALE DRAWING	SCALE 1:1
TITLE	HOLDER MEGA FUSE WITH RED FLEX COVER
OUTLINE REV. B	SHEET 1 OF 1

PART NO.	DESCRIPTION	MATERIAL (STUD & HARDWARE)
02981028HXFCCR	COVER ONLY	
02981028HXFC-RED	ASSEMBLY	STAINLESS STEEL