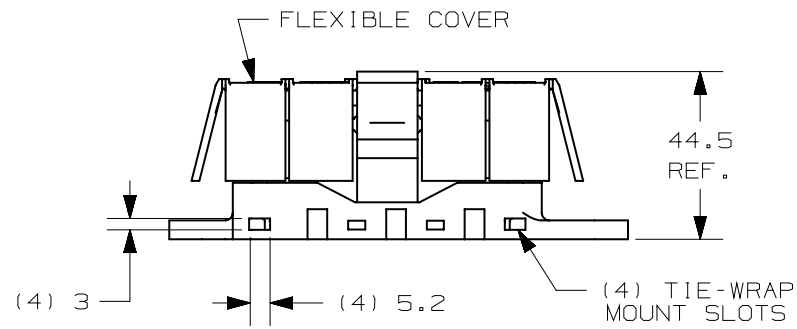
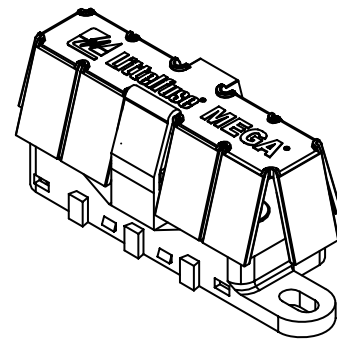
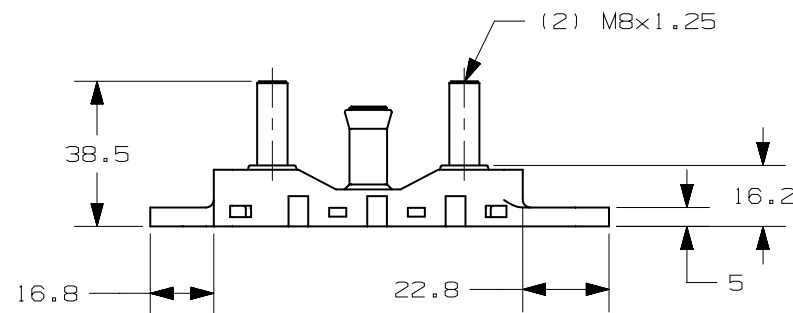
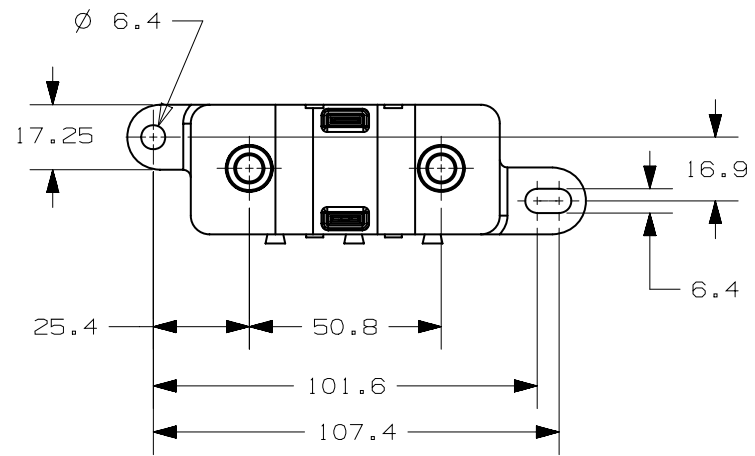


DOVETAIL FEATURES USED TO INTERLOCK MULTIPLE HOLDERS



- NOTES:
- 1) BASE: UL94V-0 GLASS-FILLED PPA  
M8 STUDS: ZINC-PLATED STEEL  
COVER: UL94V-0 ELASTOMER
  - 2) MAX FUSE RATING: 500A
  - 3) M8 STUD TORQUE: 12-18Nm  
MOUNTING TORQUE (W/M6 BOLTS & WASHERS): 5Nm
  - 4) TEMPERATURE RATING: -40°C TO 125°C
  - 5) WIRE SIZE: 8mm<sup>2</sup> TO 30mm<sup>2</sup>

METRIC



NO	COMPONENT NO	DESCRIPTION	QTY/M	U/M
BILL OF MATERIAL				
		UNLESS OTHERWISE SPECIFIED, DIMENSIONS ARE IN MILLIMETERS. DIMENSIONS IN BRACKETS [ ] ARE INCHES		
		UNLESS OTHERWISE SPECIFIED, DIMENSIONS DO NOT INCLUDE PLATING.		
◎		DENOTES CRITICAL CHARACTERISTICS.		
CPK		DENOTES CPK DIMENSIONS, -MINIMUM CPK VALUE		
ST		DENOTES A CHARACTERISTIC THAT PROVIDES AN INDICATION OF PROCESS PERFORMANCE. PROCEDURE FOR MEASUREMENT AND TRACKING TO BE DEFINED IN LITTELFUSE INSPECTION INSTRUCTIONS		
CP		DENOTES CP DIMENSIONS, -MINIMUM CP VALUE MUST BE WITHIN THE DIMENSIONAL LIMITATIONS SHOWN ON DRAWING AND INITIALLY LOCATED TO ALLOW FOR MAXIMUM TOOL LIFE		

COPIES TO	1	9	18	MATERIAL SPEC	SEE NOTES						
	2	10	19		FINISH	N/A					
	3	12	20		DRW OPL	DATE 10/27/11	SCALE 1:2				
	4	13	21		CHK	DATE	SUPER DR				
	5	14	23		APPD	DATE	FINISH GOOD WT				
	6	15	33		TOLERANCES UNLESS OTHERWISE SPECIFIED (REF. ISO 2768-mK)						
	7	16	43		DIMENSION	UP TO 0.5	UP TO 3	UP TO 6	UP TO 30	UP TO 120	UP TO 400
	8	17	53		TOLERANCE	+0.1	+0.1	+0.2	+0.3	+0.5	
TITLE											
3RD ANGLE PROJECTION											
FLEX-MEGA ASSY WITHOUT HARDWARE											
Littelfuse											
DES. PLAINES, ILLINOIS 60016											
REVISION DRWG. NO. OL-02981037HXFC-0											

LTR	DATE	REVISION	CHK	APD
A	10/27/11	503515ERA-RELEASED OPL		
B	02/09/12	504268ECA-REMOVE LASER MARKING "SS", IN NOTE 1 REMOVE "SEE CHART" AND ADD ZINC-PLATED STEEL OPL		