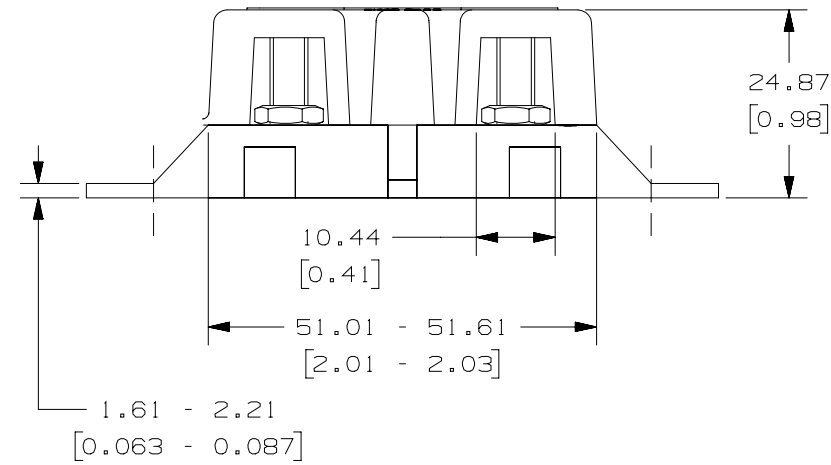
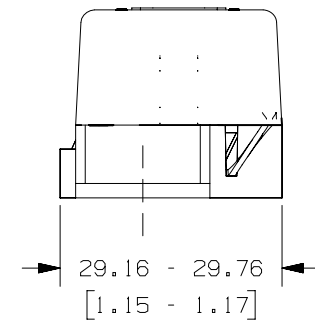
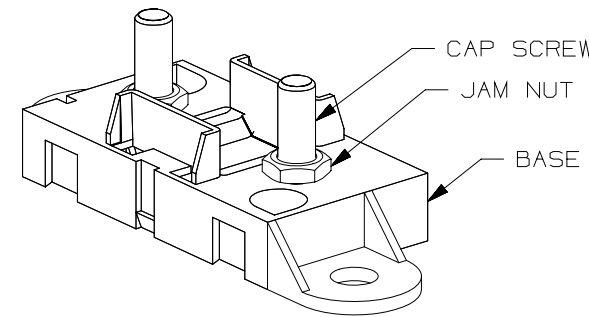
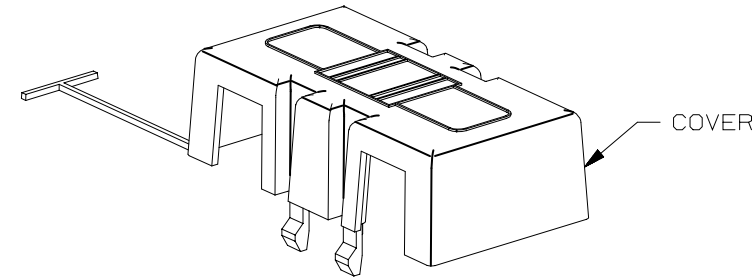
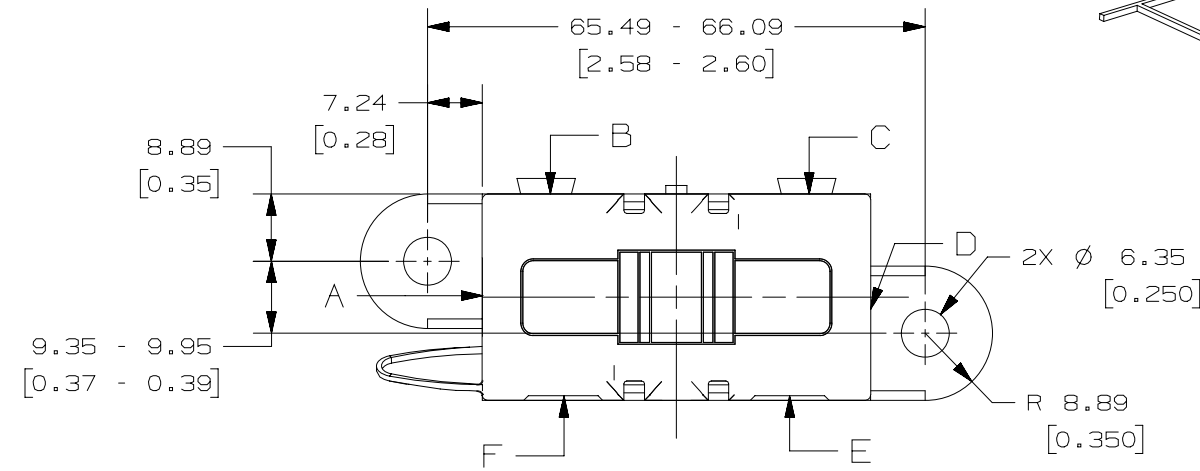


PART NUMBER	COVER OPENING	DIMENSION "A"	FUSE	FUSE QTY/1000	SPLIT WASHER	SPLIT WASHER QTY/1000	HEX NUT	HEX NUT QTY/M	RACHET FASTENER	RACHET FASTENER QTY/1000	STYLE	PART No RENAULT
04980908ZXT	E F	10.54	NO	N/A	NO	N/A	NO	N/A	NO	N/A	2	296712452R---



NOTES:

1. MATERIAL:
  - \* BODY-GLASS FILLED THERMOPLASTIC: COLOR-BLACK
  - \* COVER-THERMOPLASTIC: COLOR-BLACK
  - \* HARDWARE-M5 THREADED STUDS & NUTS AND STEEL LOCKWASHER WITH ZINC AND TRIVALENT CHROMATE, LEACHED AND SEALED, INTEGRAL TORQUE CONTROL LUBRICANT FINISH. (MEETS ASTM STANDARD B-117, 96 HR. SALT SPRAY REQUIREMENT).
2. TORQUE REQUIRED FOR MIDI FUSE TERMINAL & CONNECTOR LOCKING NUTS TO BE 4.0-5.0 NEWTON METERS [ 35-44 IN-LBS ]
3. HOLDER MEETS L/F VALIDATION TEST SPEC. VS-005004.
4. PLANT IS ISO 14001 AND ISO TS 16949 CERTIFIED.
5. FUSE IS RoHS COMPLIANT.
6. IMDS AVAILABLE.

METRIC  
ASSEMBLY

UNLESS OTHERWISE SPECIFIED, DIMENSIONS ARE IN MILLIMETERS. DIMENSIONS IN BRACKETS [ ] ARE INCHES

UNLESS OTHERWISE SPECIFIED, DIMENSIONS DO NOT INCLUDE PLATING.

© DENOTES CRITICAL CHARACTERISTICS.

CPK DENOTES CPK DIMENSIONS, -MINIMUM CPK VALUE

ST DENOTES A CHARACTERISTIC THAT PROVIDES AN INDICATION OF PROCESS PERFORMANCE. PROCEDURE FOR MEASUREMENT AND TRACKING TO BE DEFINED IN LITTELFUSE INSPECTION INSTRUCTIONS

CP DENOTES CP DIMENSIONS, -MINIMUM CP VALUE MUST BE WITHIN THE DIMENSIONAL LIMITATIONS SHOWN ON DRAWING AND INITIALLY LOCATED TO ALLOW FOR MAXIMUM TOOL LIFE

BILL OF MATERIAL

NO	COMPONENT NO	DESCRIPTION	QTY/M	U/M

MATERIAL SPEC		FINISH		SCALE		1:1	
COPIES TO		DRW	OPL	DATE	03/07/11	SUPER DR	
1	9	5	14	DATE		FINISH GOOD WT	
2	10	6	15	DATE		GRAMS/PIECE	
3	12	7	16	DATE		TOLERANCES UNLESS OTHERWISE SPECIFIED (REF. ISO 2768-mk)	
4	13	8	17	DATE		DIMENSION UP TO 3 ±0.1	
5	14					DIMENSION 3 - 6 ±0.2	
6	15					DIMENSION 6 - 30 ±0.3	
7	16					DIMENSION 30 - 120 ±0.5	
8	17					DIMENSION 120 - 400 ±0.5	
						TOLERANCE ±0.1	
3RD ANGLE PROJECTION		TITLE		MIDIFUSE HOLDER		REVISION DRWG. NO.	
LTR		DATE	REVISION	CHK	APD	OUTLINE	
A	03/07/11	501797ERA-RELEASE	OPL			04980908ZXTRN	
B	08/31/11	504244ECA-1N NOTES ADD	OPL			04980908ZXTRN	

