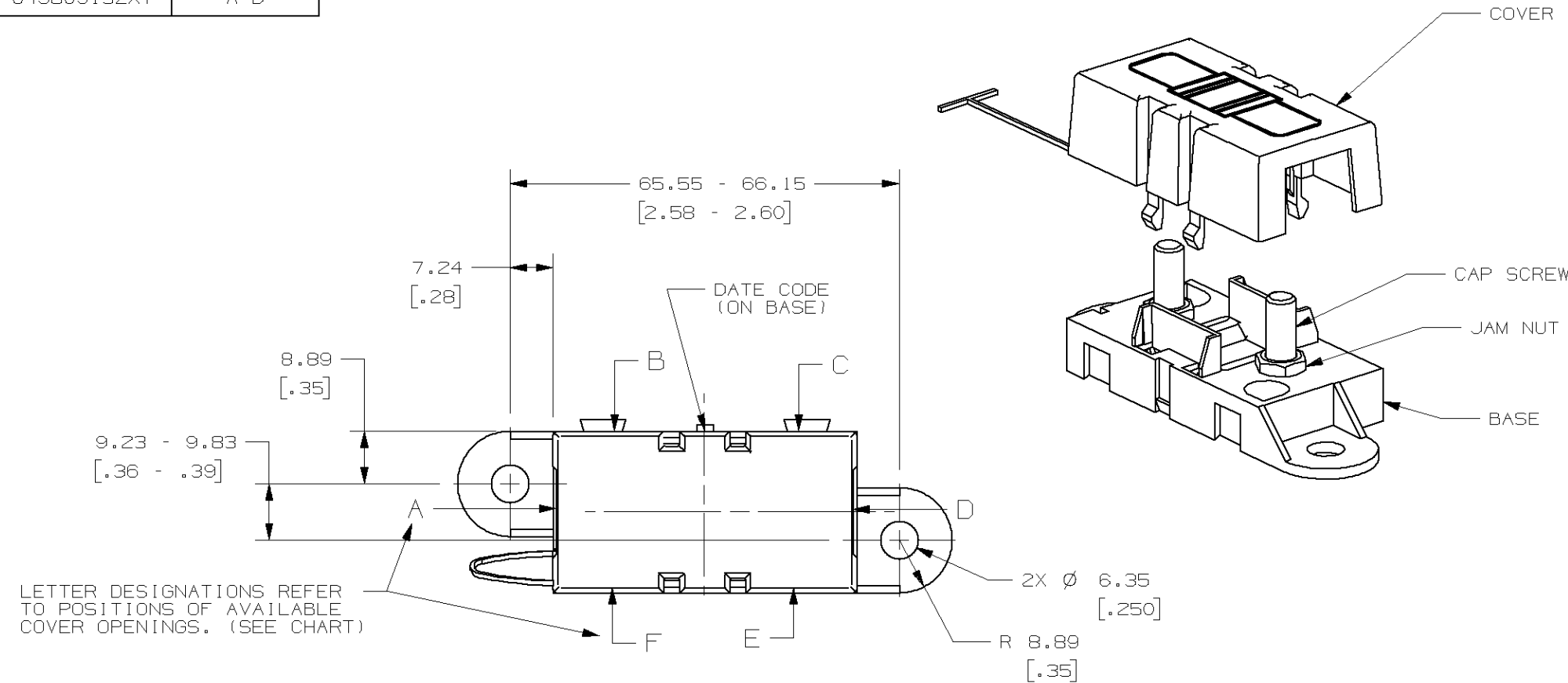
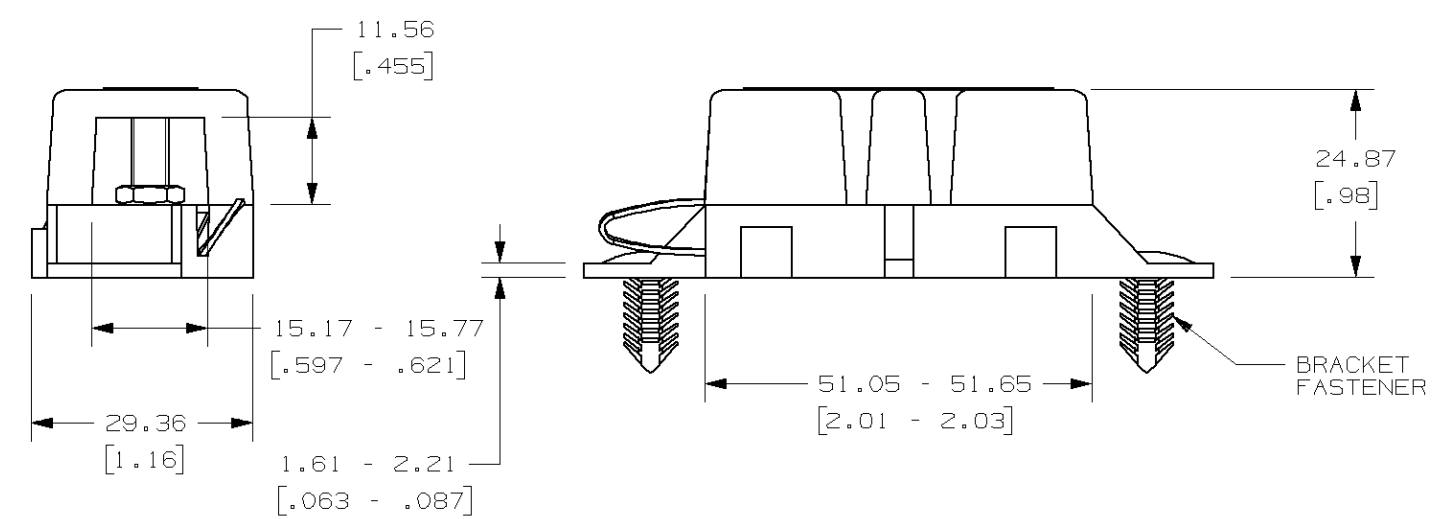


| | |
|-------------|----------------|
| PART NUMBER | COVER OPENINGS |
| 04980913ZXT | A D |



LETTER DESIGNATIONS REFER TO POSITIONS OF AVAILABLE COVER OPENINGS. (SEE CHART)



NOTES:

- TAB OF COVER TIE IS INSERTED INTO HOLE IN BASE.
- TORQUE REQUIRED FOR TOP NUT (NOT SHOWN) TO BE 4.0 - 5.0 NEWTON METERS (35-44 IN-LBS).
- CAP SCREW AND JAM NUT - M5 X 0.8 STEEL, ZINC PLATE WITH TRIVALENT CHROMATE, LEACHED AND SEALED, INTEGRAL TORQUE CONTROL LUBRICANT FINISH. (MEETS 96 HR. ASTM STD. B-117 SALT SPRAY REQ.).
- HOLDER MEETS L/F VALIDATION TEST SPEC. VS-005004.

METRIC

UNLESS OTHERWISE SPECIFIED, DIMENSIONS ARE IN MILLIMETERS. DIMENSIONS IN BRACKETS [] ARE INCHES
 UNLESS OTHERWISE SPECIFIED, DIMENSIONS DO NOT INCLUDE PLATING.
 © DENOTES CRITICAL CHARACTERISTICS.
 CPK DENOTES CPK DIMENSIONS, -MINIMUM CPK VALUE
 (ST) DENOTES A CHARACTERISTIC THAT PROVIDES AN INDICATION OF PROCESS PERFORMANCE. PROCEDURE FOR MEASUREMENT AND TRACKING TO BE DEFINED IN LITTELFUSE INSPECTION INSTRUCTIONS
 CP DENOTES CP DIMENSIONS, -MINIMUM CP VALUE MUST BE WITHIN THE DIMENSIONAL LIMITATIONS SHOWN ON DRAWING AND INITIALLY LOCATED TO ALLOW FOR MAXIMUM TOOL LIFE

| NO COMPONENT NO | | DESCRIPTION | QTY/M | U/M |
|------------------|-----|-------------|----------|----------------|
| BILL OF MATERIAL | | | | |
| MATERIAL SPEC | | FINISH | | |
| COPIES TO | 1 | DRW | DATE | SCALE |
| 9 | 18 | DJG | 05/25/05 | 1:1 |
| 10 | 19 | CHK | | SUPER DR |
| 11 | 20 | APPD | | FINISH GOOD WT |
| 12 | 21 | | | GRAMS/PIECE |
| 13 | 22 | | | |
| 14 | 23 | | | |
| 15 | 24 | | | |
| 16 | 25 | | | |
| 17 | 26 | | | |
| 18 | 27 | | | |
| 19 | 28 | | | |
| 20 | 29 | | | |
| 21 | 30 | | | |
| 22 | 31 | | | |
| 23 | 32 | | | |
| 24 | 33 | | | |
| 25 | 34 | | | |
| 26 | 35 | | | |
| 27 | 36 | | | |
| 28 | 37 | | | |
| 29 | 38 | | | |
| 30 | 39 | | | |
| 31 | 40 | | | |
| 32 | 41 | | | |
| 33 | 42 | | | |
| 34 | 43 | | | |
| 35 | 44 | | | |
| 36 | 45 | | | |
| 37 | 46 | | | |
| 38 | 47 | | | |
| 39 | 48 | | | |
| 40 | 49 | | | |
| 41 | 50 | | | |
| 42 | 51 | | | |
| 43 | 52 | | | |
| 44 | 53 | | | |
| 45 | 54 | | | |
| 46 | 55 | | | |
| 47 | 56 | | | |
| 48 | 57 | | | |
| 49 | 58 | | | |
| 50 | 59 | | | |
| 51 | 60 | | | |
| 52 | 61 | | | |
| 53 | 62 | | | |
| 54 | 63 | | | |
| 55 | 64 | | | |
| 56 | 65 | | | |
| 57 | 66 | | | |
| 58 | 67 | | | |
| 59 | 68 | | | |
| 60 | 69 | | | |
| 61 | 70 | | | |
| 62 | 71 | | | |
| 63 | 72 | | | |
| 64 | 73 | | | |
| 65 | 74 | | | |
| 66 | 75 | | | |
| 67 | 76 | | | |
| 68 | 77 | | | |
| 69 | 78 | | | |
| 70 | 79 | | | |
| 71 | 80 | | | |
| 72 | 81 | | | |
| 73 | 82 | | | |
| 74 | 83 | | | |
| 75 | 84 | | | |
| 76 | 85 | | | |
| 77 | 86 | | | |
| 78 | 87 | | | |
| 79 | 88 | | | |
| 80 | 89 | | | |
| 81 | 90 | | | |
| 82 | 91 | | | |
| 83 | 92 | | | |
| 84 | 93 | | | |
| 85 | 94 | | | |
| 86 | 95 | | | |
| 87 | 96 | | | |
| 88 | 97 | | | |
| 89 | 98 | | | |
| 90 | 99 | | | |
| 91 | 100 | | | |
| 92 | 101 | | | |
| 93 | 102 | | | |
| 94 | 103 | | | |
| 95 | 104 | | | |
| 96 | 105 | | | |
| 97 | 106 | | | |
| 98 | 107 | | | |
| 99 | 108 | | | |
| 100 | 109 | | | |
| 101 | 110 | | | |
| 102 | 111 | | | |
| 103 | 112 | | | |
| 104 | 113 | | | |
| 105 | 114 | | | |
| 106 | 115 | | | |
| 107 | 116 | | | |
| 108 | 117 | | | |
| 109 | 118 | | | |
| 110 | 119 | | | |
| 111 | 120 | | | |
| 112 | 121 | | | |
| 113 | 122 | | | |
| 114 | 123 | | | |
| 115 | 124 | | | |
| 116 | 125 | | | |
| 117 | 126 | | | |
| 118 | 127 | | | |
| 119 | 128 | | | |
| 120 | 129 | | | |
| 121 | 130 | | | |
| 122 | 131 | | | |
| 123 | 132 | | | |
| 124 | 133 | | | |
| 125 | 134 | | | |
| 126 | 135 | | | |
| 127 | 136 | | | |
| 128 | 137 | | | |
| 129 | 138 | | | |
| 130 | 139 | | | |
| 131 | 140 | | | |
| 132 | 141 | | | |
| 133 | 142 | | | |
| 134 | 143 | | | |
| 135 | 144 | | | |
| 136 | 145 | | | |
| 137 | 146 | | | |
| 138 | 147 | | | |
| 139 | 148 | | | |
| 140 | 149 | | | |
| 141 | 150 | | | |
| 142 | 151 | | | |
| 143 | 152 | | | |
| 144 | 153 | | | |
| 145 | 154 | | | |
| 146 | 155 | | | |
| 147 | 156 | | | |
| 148 | 157 | | | |
| 149 | 158 | | | |
| 150 | 159 | | | |
| 151 | 160 | | | |
| 152 | 161 | | | |
| 153 | 162 | | | |
| 154 | 163 | | | |
| 155 | 164 | | | |
| 156 | 165 | | | |
| 157 | 166 | | | |
| 158 | 167 | | | |
| 159 | 168 | | | |
| 160 | 169 | | | |
| 161 | 170 | | | |
| 162 | 171 | | | |
| 163 | 172 | | | |
| 164 | 173 | | | |
| 165 | 174 | | | |
| 166 | 175 | | | |
| 167 | 176 | | | |
| 168 | 177 | | | |
| 169 | 178 | | | |
| 170 | 179 | | | |
| 171 | 180 | | | |
| 172 | 181 | | | |
| 173 | 182 | | | |
| 174 | 183 | | | |
| 175 | 184 | | | |
| 176 | 185 | | | |
| 177 | 186 | | | |
| 178 | 187 | | | |
| 179 | 188 | | | |
| 180 | 189 | | | |
| 181 | 190 | | | |
| 182 | 191 | | | |
| 183 | 192 | | | |
| 184 | 193 | | | |
| 185 | 194 | | | |
| 186 | 195 | | | |
| 187 | 196 | | | |
| 188 | 197 | | | |
| 189 | 198 | | | |
| 190 | 199 | | | |
| 191 | 200 | | | |
| 192 | 201 | | | |
| 193 | 202 | | | |
| 194 | 203 | | | |
| 195 | 204 | | | |
| 196 | 205 | | | |
| 197 | 206 | | | |
| 198 | 207 | | | |
| 199 | 208 | | | |
| 200 | 209 | | | |
| 201 | 210 | | | |
| 202 | 211 | | | |
| 203 | 212 | | | |
| 204 | 213 | | | |
| 205 | 214 | | | |
| 206 | 215 | | | |
| 207 | 216 | | | |
| 208 | 217 | | | |
| 209 | 218 | | | |
| 210 | 219 | | | |
| 211 | 220 | | | |
| 212 | 221 | | | |
| 213 | 222 | | | |
| 214 | 223 | | | |
| 215 | 224 | | | |
| 216 | 225 | | | |
| 217 | 226 | | | |
| 218 | 227 | | | |
| 219 | 228 | | | |
| 220 | 229 | | | |
| 221 | 230 | | | |
| 222 | 231 | | | |
| 223 | 232 | | | |
| 224 | 233 | | | |
| 225 | 234 | | | |
| 226 | 235 | | | |
| 227 | 236 | | | |
| 228 | 237 | | | |
| 229 | 238 | | | |
| 230 | 239 | | | |
| 231 | 240 | | | |
| 232 | 241 | | | |
| 233 | 242 | | | |
| 234 | 243 | | | |
| 235 | 244 | | | |
| 236 | 245 | | | |
| 237 | 246 | | | |
| 238 | 247 | | | |
| 239 | 248 | | | |
| 240 | 249 | | | |
| 241 | 250 | | | |
| 242 | 251 | | | |
| 243 | 252 | | | |
| 244 | 253 | | | |
| 245 | 254 | | | |
| 246 | 255 | | | |
| 247 | 256 | | | |
| 248 | 257 | | | |
| 249 | 258 | | | |
| 250 | 259 | | | |
| 251 | 260 | | | |
| 252 | 261 | | | |
| 253 | 262 | | | |
| 254 | 263 | | | |
| 255 | 264 | | | |
| 256 | 265 | | | |
| 257 | 266 | | | |
| 258 | 267 | | | |
| 259 | 268 | | | |
| 260 | 269 | | | |
| 261 | 270 | | | |
| 262 | 271 | | | |
| 263 | 272 | | | |
| 264 | 273 | | | |
| 265 | 274 | | | |
| 266 | 275 | | | |
| 267 | 276 | | | |
| 268 | 277 | | | |
| 269 | 278 | | | |
| 270 | 279 | | | |
| 271 | 280 | | | |
| 272 | 281 | | | |
| 273 | 282 | | | |
| 274 | 283 | | | |
| 275 | 284 | | | |
| 276 | 285 | | | |
| 277 | 286 | | | |
| 278 | 287 | | | |
| 279 | 288 | | | |
| 280 | 289 | | | |
| 281 | 290 | | | |
| 282 | 291 | | | |
| 283 | 292 | | | |
| 284 | 293 | | | |
| 285 | 294 | | | |
| 286 | 295 | | | |
| 287 | 296 | | | |
| 288 | 297 | | | |
| 289 | 298 | | | |
| 290 | 299 | | | |
| 291 | 300 | | | |
| | | | | |