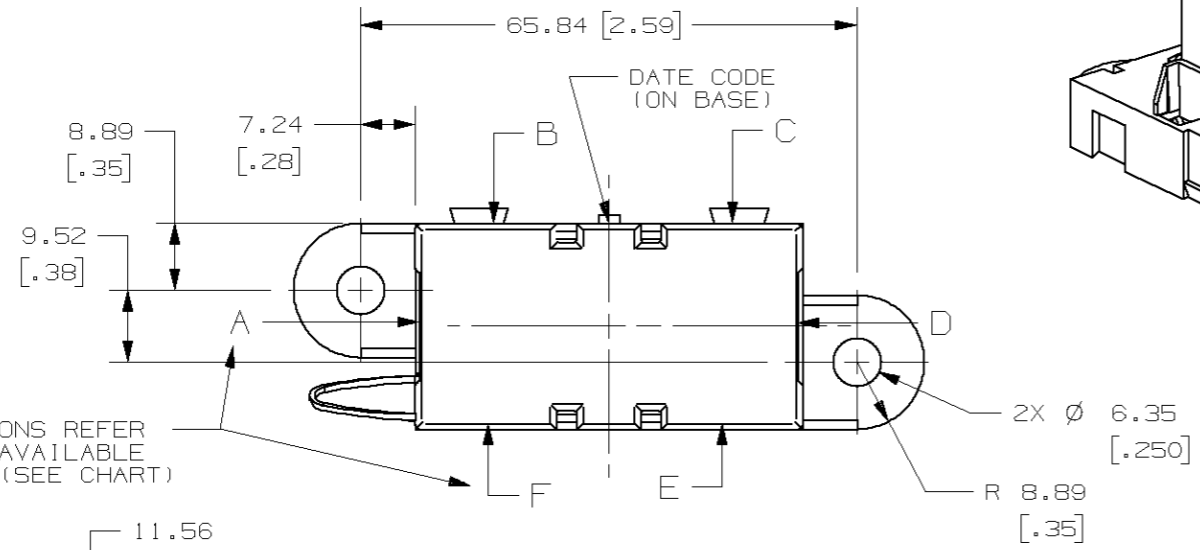
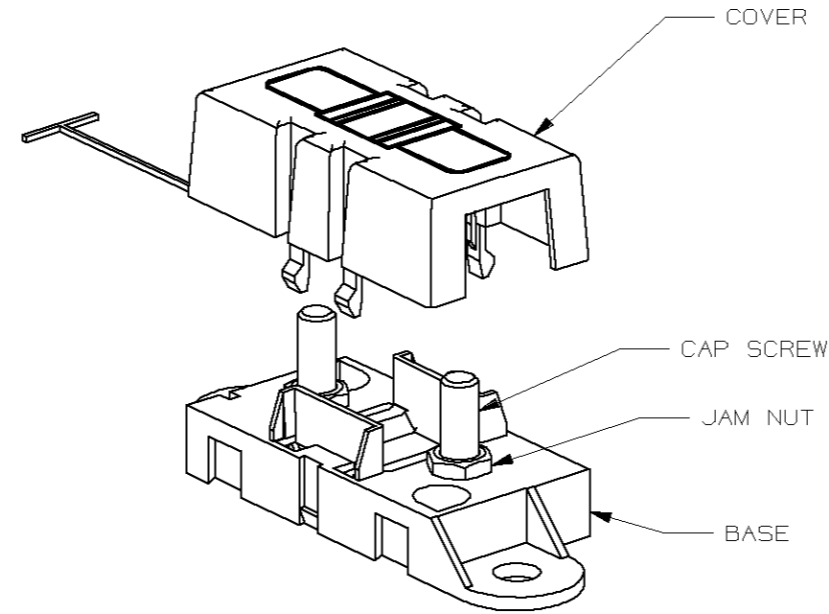


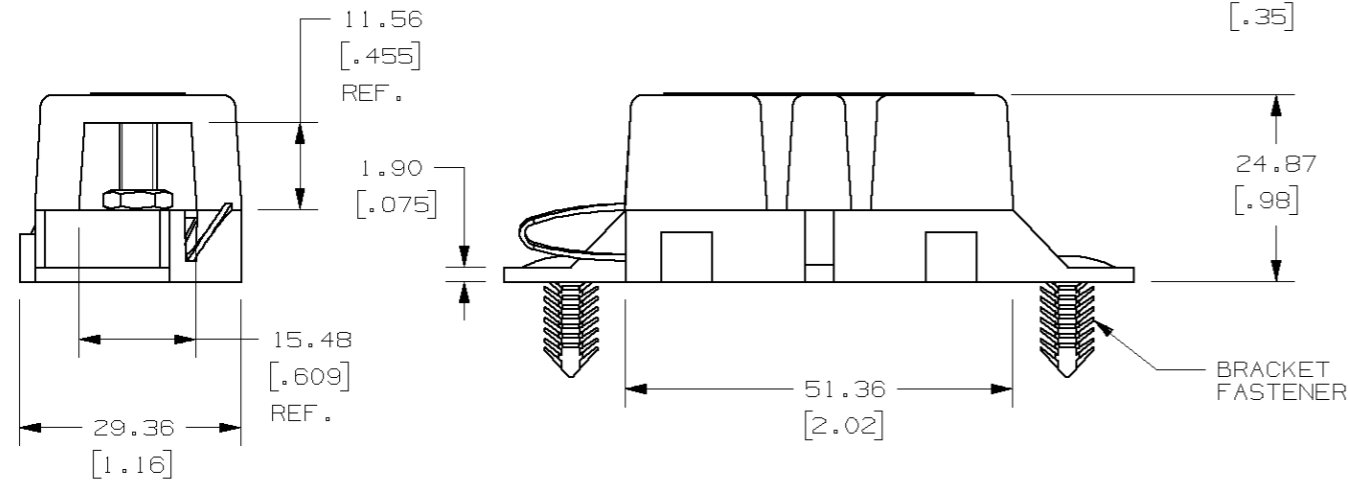
PART NUMBER	COVER OPENINGS
04980916ZXT	A D

MATERIAL:  
 \*BODY - GLASS FILLED THERMOPLASTIC: COLOR-BLACK  
 \*COVER - THERMOPLASTIC: COLOR-BLACK  
 \*HARDWARE - 5M THREADED STUDS & NUTS AND STEEL LOCKWASHER WITH ZINC AND TRIVALENT CHROMATE, LEACHED AND SEALED, INTEGRAL TORQUE CONTROL LUBRICANT FINISH (MEETS ASTM STANDARD B-117, 96 HR. SALT SPRAY REQUIREMENTS).

04980902ZXT:  
 \*HARDWARE - 5M THREADED STUDS & NUTS WITH INTEGRAL LOCKWASHER WITH ZINC AND TRIVALENT CHROMATE, LEACHED AND SEALED, INTEGRAL TORQUE CONTROL LUBRICANT FINISH (MEETS ASTM STANDARD B-117, 96 HR. SALT SPRAY REQUIREMENTS).



LETTER DESIGNATIONS REFER TO POSITIONS OF AVAILABLE COVER OPENINGS. (SEE CHART)



NOTES:

- TAB COVER TIE IS INSERTED INTO HOLE IN BASE.
- TORQUE REQUIRED FOR TOP NUT (NOT SHOWN) TO BE 4.0 - 5.0 NEWTON METERS (35-44 IN-LBS).
- CAP SCREW AND JAM NUT - M5 X 0.8 STEEL, ZINC PLATE WITH TRIVALENT CHROMATE, LEACHED AND SEALED, INTEGRAL TORQUE CONTROL LUBRICANT FINISH. (MEETS 96 HR. ASTM STD. B-117 SALT SPRAY REQ.).
- HOLDER MEETS L/F VALIDATION TEST SPEC. VS-005004.

METRIC

UNLESS OTHERWISE SPECIFIED, DIMENSIONS ARE IN MILLIMETERS. DIMENSIONS IN BRACKETS [ ] ARE INCHES
UNLESS OTHERWISE SPECIFIED, DIMENSIONS DO NOT INCLUDE PLATING.
⊙ DENOTES CRITICAL CHARACTERISTICS.
CPK DENOTES CPK DIMENSIONS, -MINIMUM CPK VALUE
ST DENOTES A CHARACTERISTIC THAT PROVIDES AN INDICATION OF PROCESS PERFORMANCE. PROCEDURE FOR MEASUREMENT AND TRACKING TO BE DEFINED IN LITTELFUSE INSPECTION INSTRUCTIONS
CP DENOTES CP DIMENSIONS, -MINIMUM CP VALUE MUST BE WITHIN THE DIMENSIONAL LIMITATIONS SHOWN ON DRAWING AND INITIALLY LOCATED TO ALLOW FOR MAXIMUM TOOL LIFE

NO COMPONENT NO		DESCRIPTION	QTY/M	U/M
BILL OF MATERIAL				
MATERIAL SPEC				
FINISH				
COPIES TO	MATL SPEC	DATE	SCALE	1:1
1 9 18		09/25/07		
2 10 19				
3 12 20				
4 13 21				
5 14 23				
6 15 33				
7 16 43				
8 17 53				
TOLERANCE UNLESS OTHERWISE SPECIFIED ONE PLACE DEC +/- .25 THREE PLACE DEC +/- .100 ANGULAR +/- 1°				
3RD ANGLE PROJECTION				
TITLE MIDIFUSE HOLDER				
REVISION DRWG. NO. 04980916ZXT				
DES PLAINES, ILLINOIS 60016				
LTR	DATE	REVISION	CHK	APD
A	09/25/07	000164ER - RELEASED	GMB	
B	02/13/08	000476EC/D-ADD MATERIAL DATA NOTE	GMB	