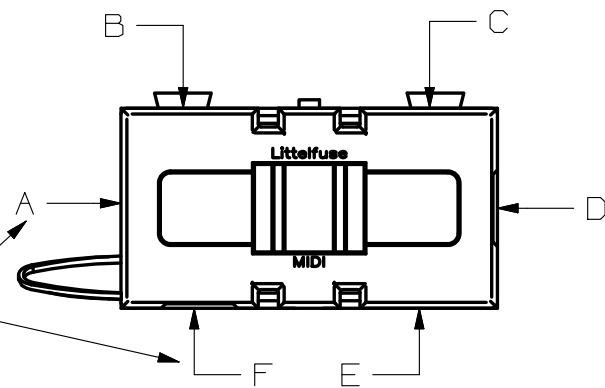
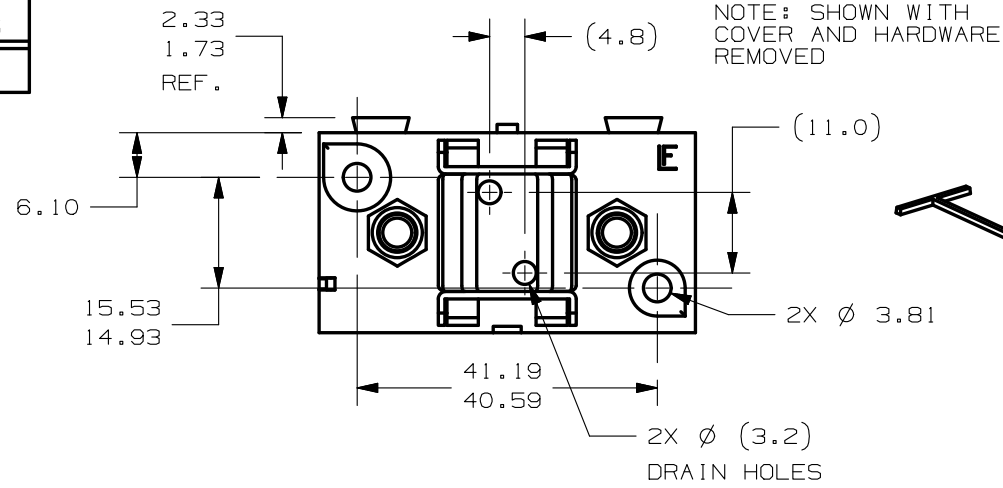
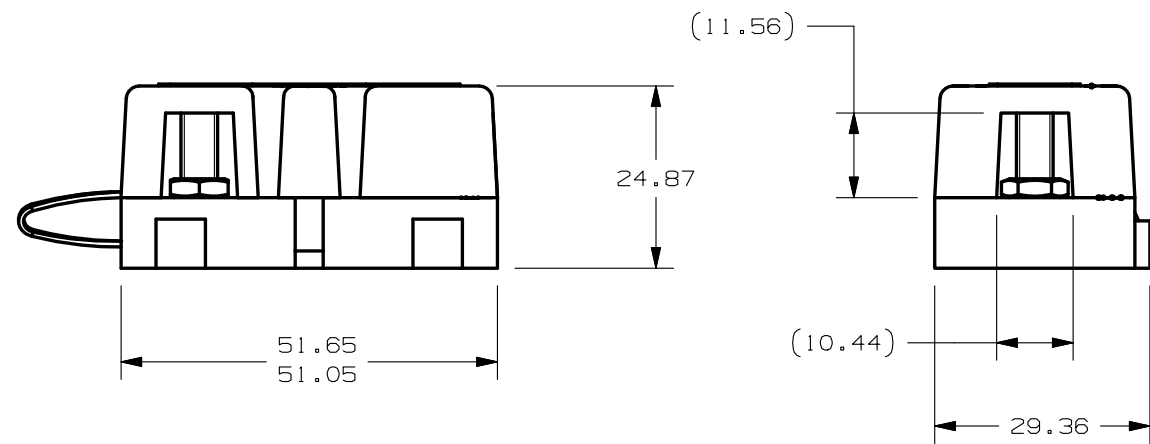
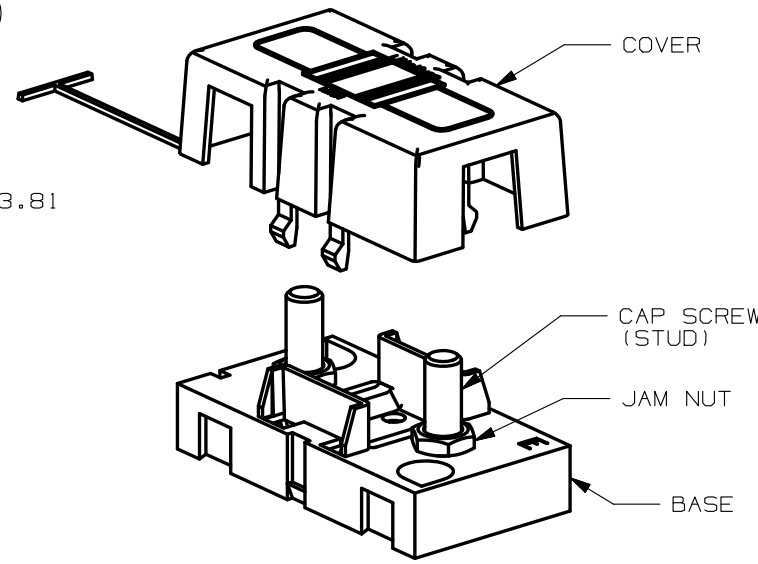


PART NUMBER	COVER OPENINGS
04980918ZXT	D F



LETTER DESIGNATIONS REFER TO POSITIONS OF AVAILABLE COVER OPENINGS. (SEE CHART)



NOTES:

- TAB OF COVER TIE IS INSERTED INTO HOLE IN BASE.
- TORQUE REQUIRED FOR JAM NUT TO BE 2.3 - 2.8 NEWTON METERS.
- MAX TORQUE ON TOP NUT (NOT SUPPLIED) TO BE 5.0 NEWTON METERS.
- HOLDER MEETS L/F VALIDATION SPECIFICATION VS-005004.
- CAP SCREWS AND NUTS - M5 X 0.8 STEEL, ZINC PLATED WITH TRIVALENT CHROMATE LEACHED AND SEALED, INTEGRAL TORQUE CONTROL LUBRICANT FINISH (MEETS 96 HR. ASTM STD. B-117 SALT SPRAY REQ.).

METRIC

UNLESS OTHERWISE SPECIFIED, DIMENSIONS ARE IN MILLIMETERS. DIMENSIONS IN BRACKETS [] ARE INCHES

UNLESS OTHERWISE SPECIFIED, DIMENSIONS DO NOT INCLUDE PLATING.

⊙ DENOTES CRITICAL CHARACTERISTICS.

CPK DENOTES CPK DIMENSIONS. -MINIMUM CPK VALUE

ST DENOTES A CHARACTERISTIC THAT PROVIDES AN INDICATION OF PROCESS PERFORMANCE. PROCEDURE FOR MEASUREMENT AND TRACKING TO BE DEFINED IN LITTELFUSE INSPECTION INSTRUCTIONS

CP DENOTES CP DIMENSIONS. -MINIMUM CP VALUE MUST BE WITHIN THE DIMENSIONAL LIMITATIONS SHOWN ON DRAWING AND INITIALLY LOCATED TO ALLOW FOR MAXIMUM TOOL LIFE

NO	COMPONENT NO	DESCRIPTION	QTY/M	U/M
BILL OF MATERIAL				
MATERIAL SPEC				
FINISH				
DRW GMB DATE 11/09/09 SCALE 1:1				
CHK DATE SUPER DR				
APPD DATE FINISH GOOD WT GRAMS/PIECE				
TOLERANCES UNLESS OTHERWISE SPECIFIED (REF. ISO 2768-mK)				
DIMENSION 0.5 - 3 ^{OVER} 3 ^{UNDER} 6 ^{OVER} 6 ^{UNDER} 30 ^{OVER} 30 ^{UNDER} 120 ^{OVER} 120 ^{UNDER} 400 ^{OVER} 400 ^{UNDER}				
TOLERANCE ±0.1 ±0.1 ±0.2 ±0.3 ±0.5				
3RD ANGLE PROJECTION				
TITLE MIDI FUSE HOLDER				
REVISION DRWG. NO. OL-04980918ZXT				
OUTLINE				

LTR	DATE	REVISION	CHK	APPD
A	11/09/09	000842ER-RELEASE	GMB	

COPIES TO	1	2	3	4	5	6	7	8
	9	10	12	13	14	15	16	17
	18	19	20	21	23	33	43	53

