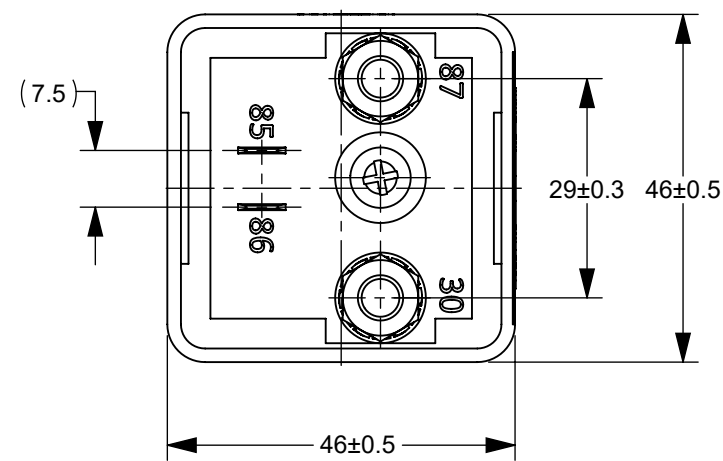
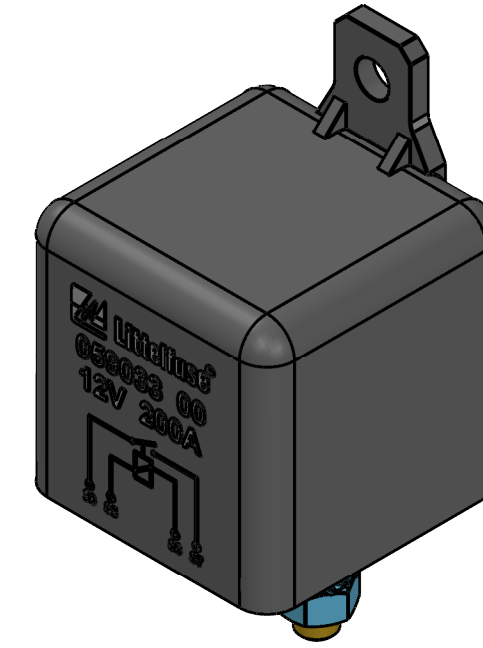
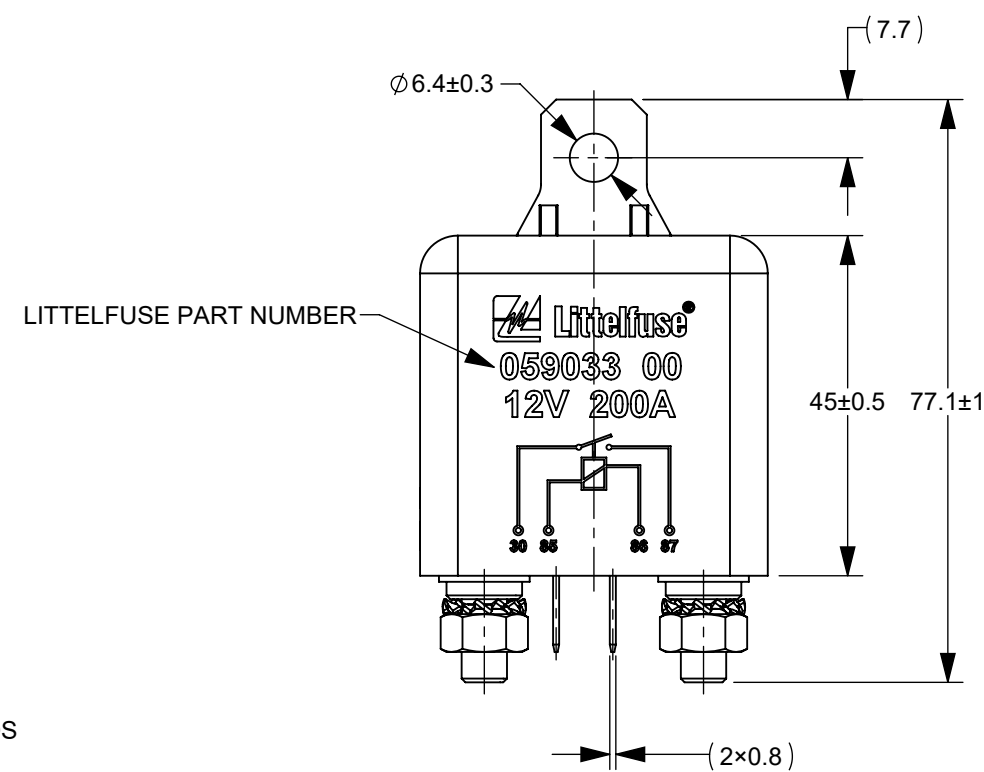
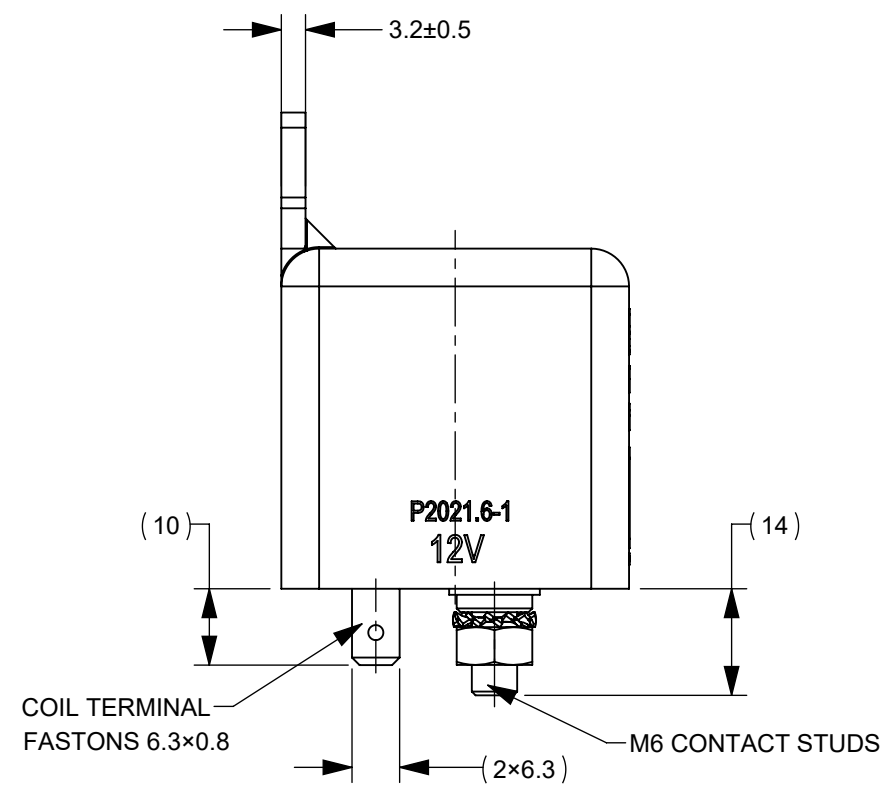


REVISIONS				
ZONE	REV.	DESCRIPTION	DATE	APPROVED
	A	GCF#524055 INITIAL RELEASE	Jun./29/2021	D. ZHANG
A6, B8, D8	B	ECR#525201 UPDATED RELAY PARAMETERS	MAY./11/2022	D. ZHANG



CIRCUIT SCHEMATIC DIAGRAM

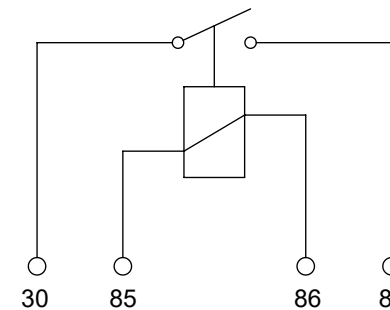


TABLE 1 (RELAY PARAMETERS)

TABLE 1 (RELAY PARAMETERS)	
CONTACT VOLTAGE	MAX 24V DC
Δ RATED CONTACT CURRENT	100A
INTERMITTENT CURRENT	200A
RATED COIL VOLTAGE	12V DC
MAX ALLOWED COIL VOLTAGE	14.4V DC
NOMINAL OPERATING POWER	5.5W
PICK-UP VOLTAGE (@ 20°C~25°C)	MAX 9V DC
DROP-OUT VOLTAGE (@ 20°C~25°C)	MIN 1V DC
CONTACT VOLTAGE DROP	≤40mV@40 A Δ
OPERATE TIME	MAX 15ms Δ
RELEASE TIME	MAX 10ms
DIELECTRIC STRENGTH	1000VAC 50Hz 1MINUTE, LEAK CURRENT ≤1mA
INSULATION RESISTANCE	≥100MΩ@500V DC
ELECTRICAL LIFE (CYCLES)	100A @ 24V DC 100,000
MECHANICAL LIFE (CYCLES)	NO LOAD 1,000,000

NOTES:

- ALL DIMENSIONS ARE REFERENCE ONLY.
- PRODUCT TYPE: NORMALLY OPEN RELAY.
- MATERIAL:
 - HOUSING: THERMOPLASTIC PLASTICS.
 - CONTACTS: SILVER ALLOY.
 - CONTACT STUDS: COPPER ALLOY.
 - COIL TERMINALS: COPPER ALLOY.
- CONNECTION STUD: M6 STUD, RECOMMENDED TORQUE: 3N•m~4.5N•m.
- RELAY PARAMETERS ARE SHOWN IN TABLE 1.

DIMENSIONS ARE SHOWN IN MILLIMETERS. DIMENSIONS AND TOLERANCES ARE DEFINED ACCORDING TO ANSI/ASME Y14.5-1994.

PER CHNFPD20-008 PROCEDURE	●	FTI/ FUNCTION CRITICAL CHARACTERISTICS
<S>		SAFETY/ COMPLIANCE CRITICAL CHARACTERISTICS SYMBOL
CPK		DENOTES CPK DIMENSIONS MINIMUM CPK VALUE
(ST)		DENOTES A CHARACTERISTIC THAT PROVIDES AN INDICATION OF PROCESS PERFORMANCE. PROCEDURE FOR MEASUREMENT AND TRACKING TO BE DEFINED IN LITTELFUSE INSPECTION INSTRUCTIONS
CP		DENOTES CP DIMENSIONS. -MINIMUM CP VALUE MUST BE WITHIN THE DIMENSIONAL LIMITATIONS SHOWN ON DRAWING AND INITIALLY LOCATED TO ALLOW FOR MAXIMUM TOOL LIFE

DRAWN	JY. SHI	DATE	Jun./29/2021
CHECKED	J. LI	DATE	Jun./25/2021

FORM NO. CVP-PE40-0005 REV B
THIRD ANGLE PROJECTION

Littelfuse
Expertise Applied | Answers Delivered

TITLE: DDCNJ 100A 24V, 12V COIL RELAY

SIZE: C DWG. NO.: OL-05903300 REV. B
SCALE: 1:1 DO NOT SCALE DRAWING SHEET 1 OF 1