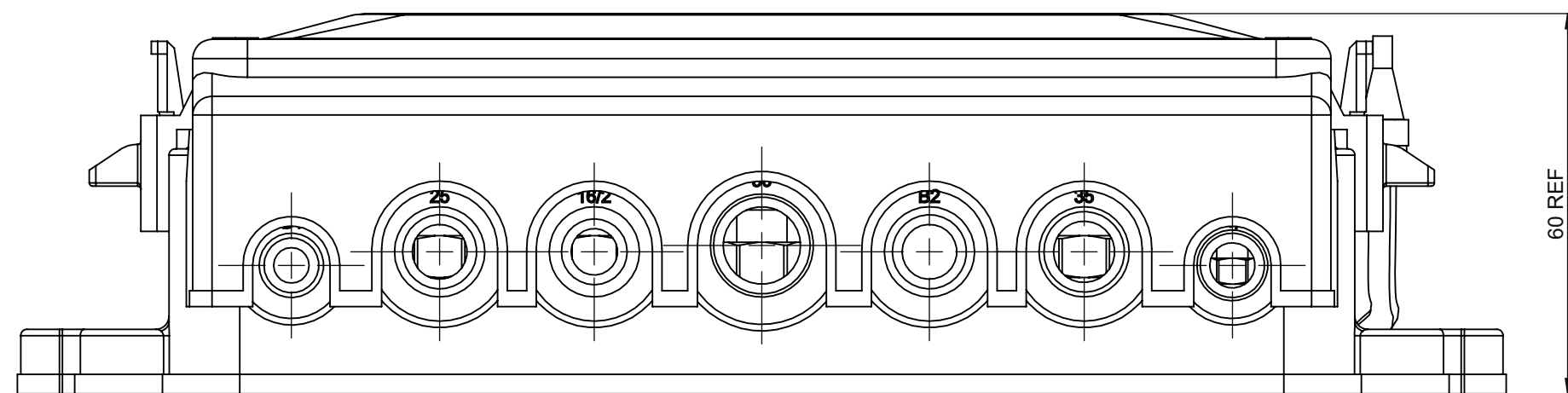
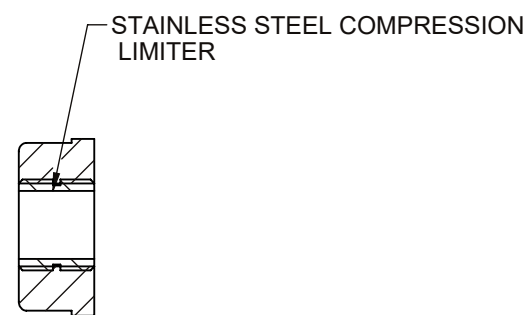
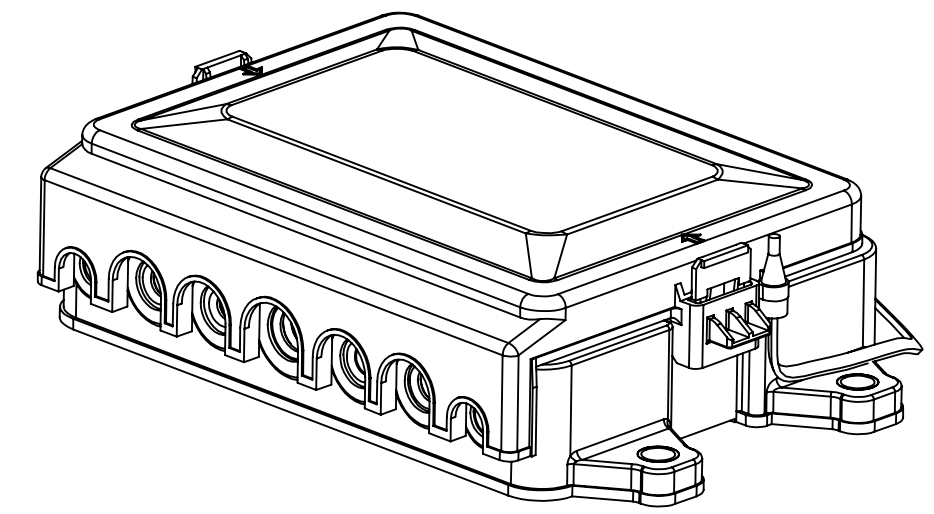
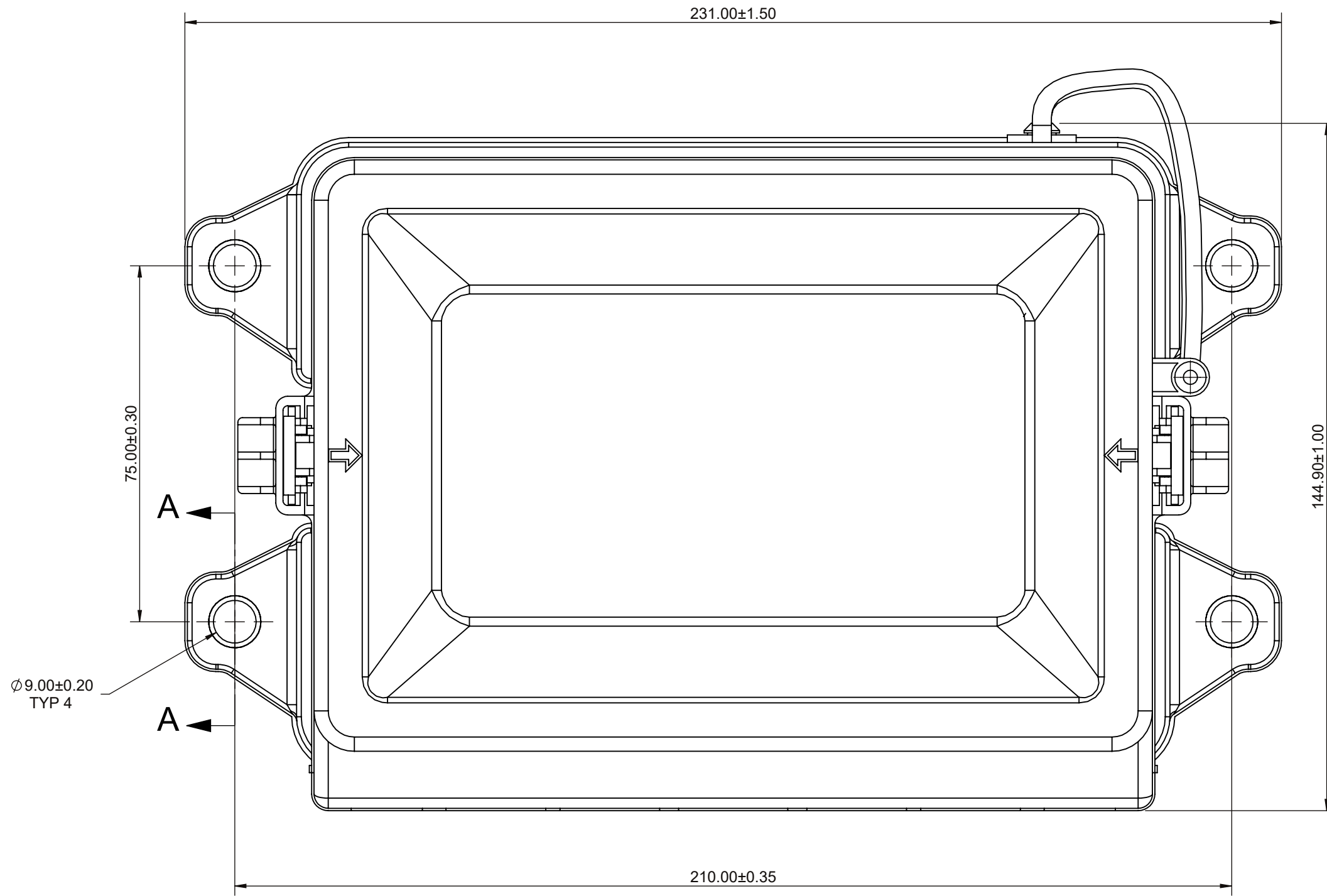
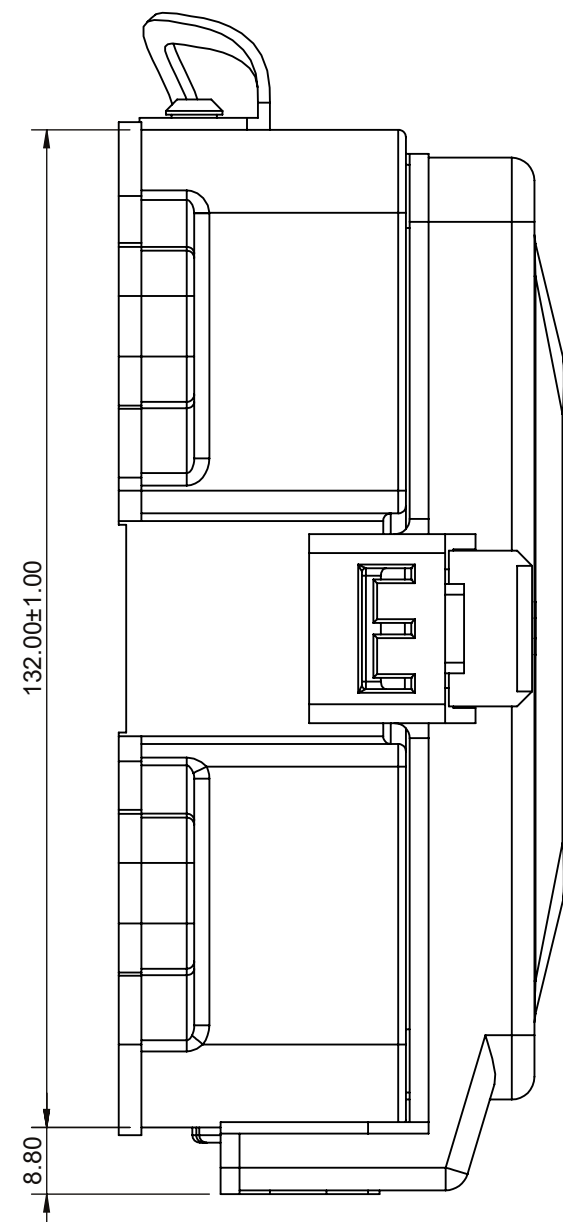


REVISIONS				
ZONE	REV.	DESCRIPTION	DATE	APPROVED
	A	PCO #5300217, NEW RELEASE, DSILVA	2/23/2023	S. CASTILLO



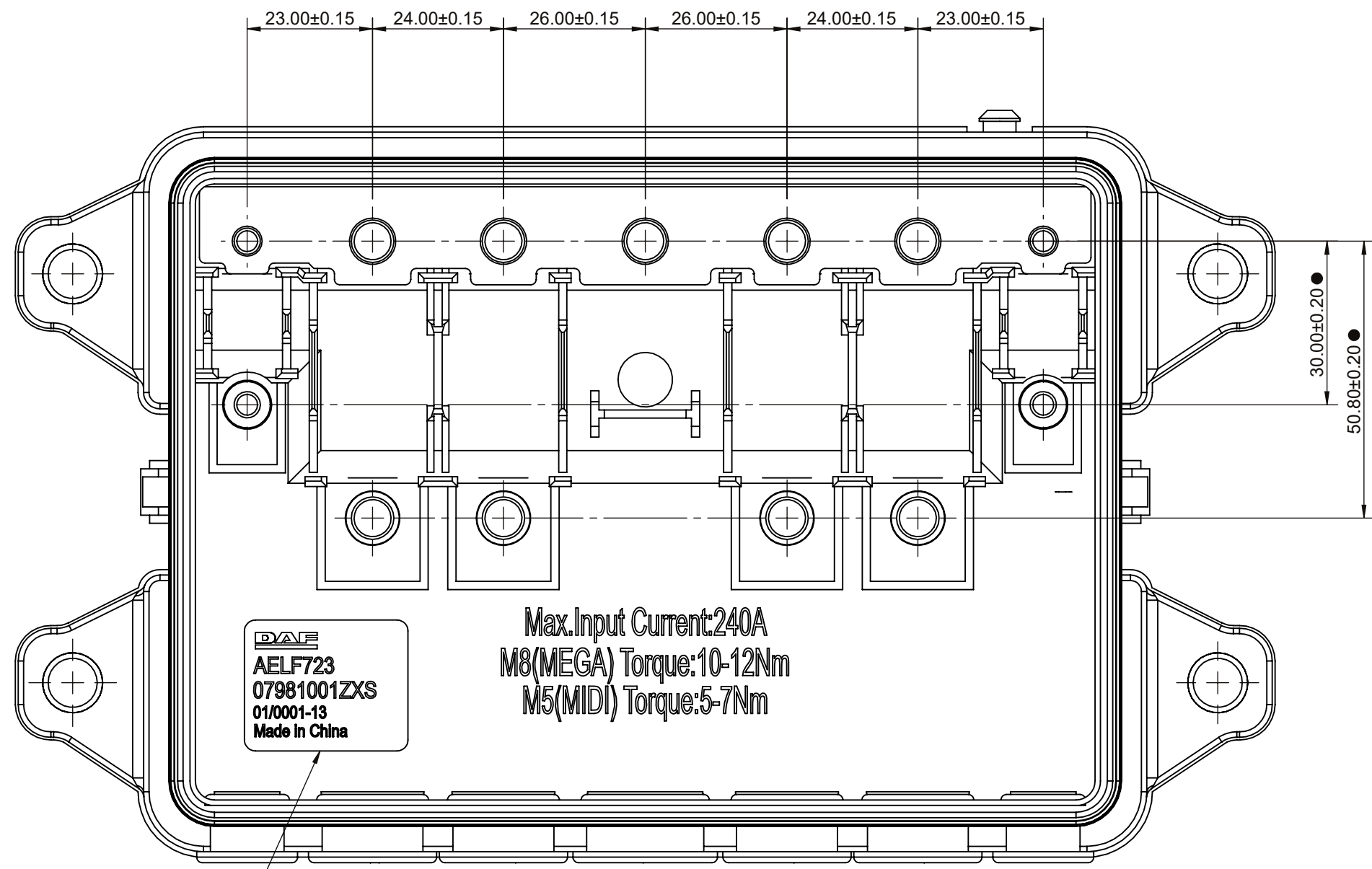
SECTION A-A

NOTES:

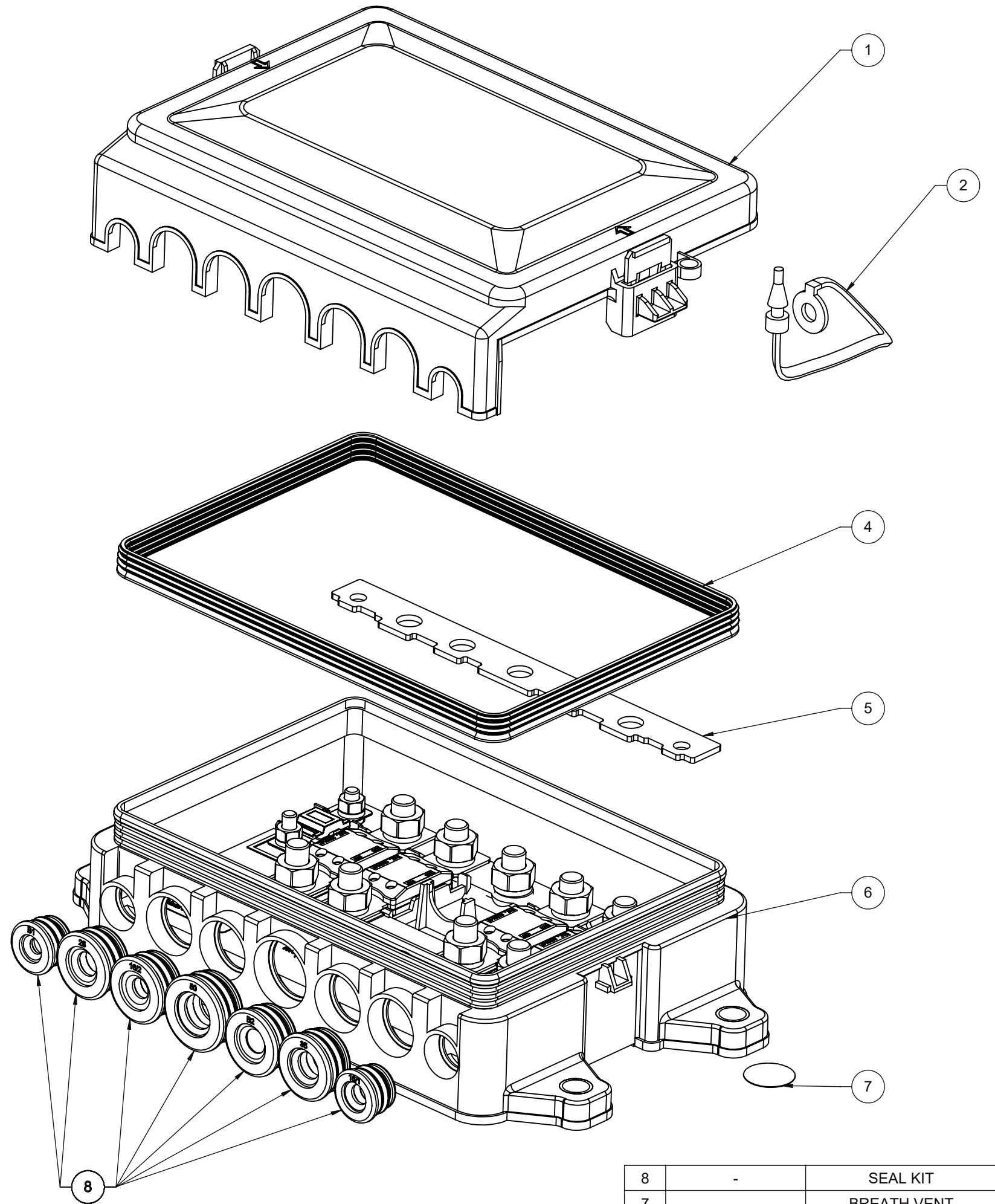
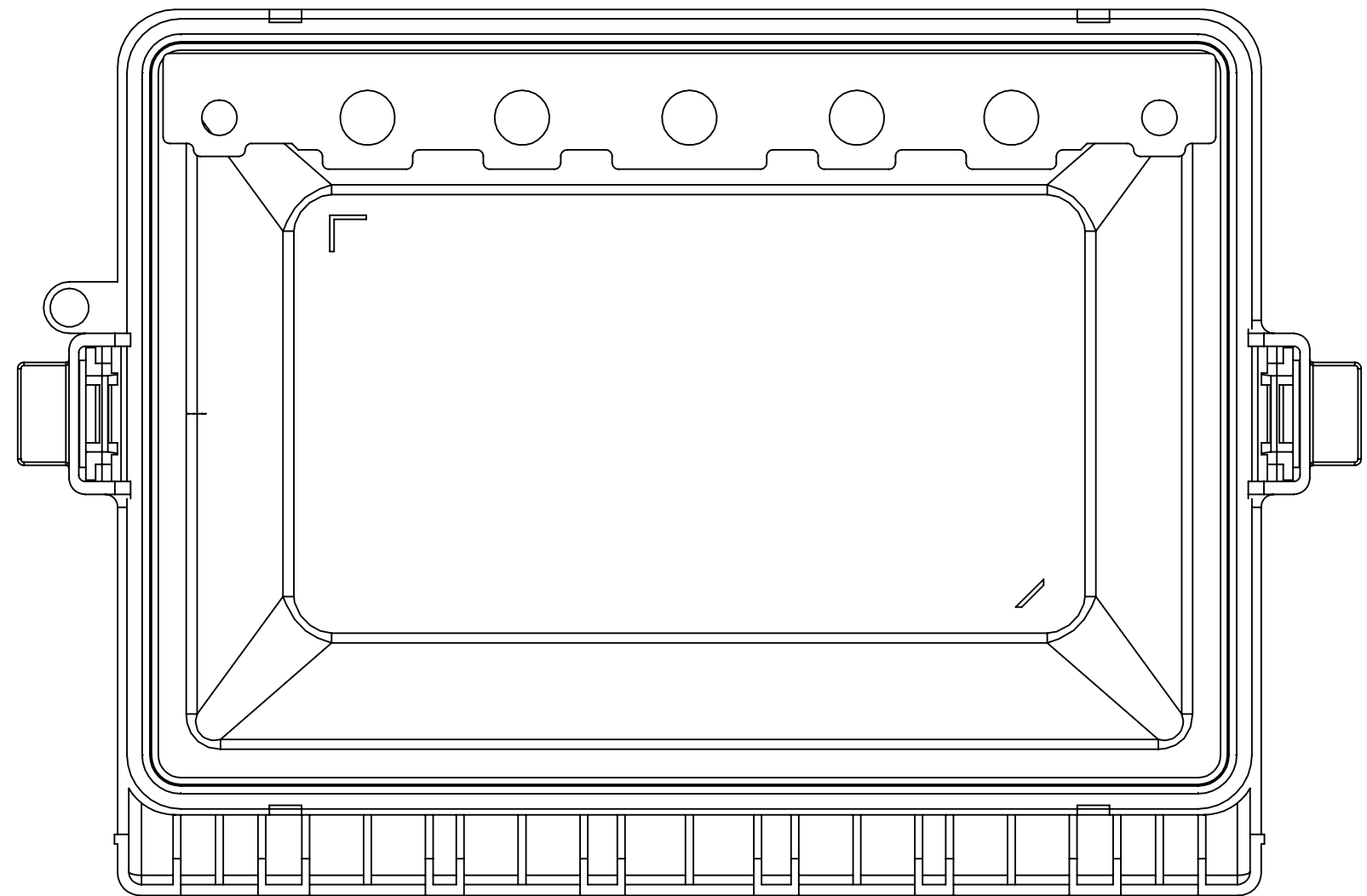
- MATERIAL: COVER/HOUSING: POLYETHYLENE, BLACK
BUS BAR: COPPER
TETHER: TPE
SCREWS/WASHES/BOLTS: STAINLES STEEL
GASKET: SICLON RUBBER
- FUSE ASSEMBLY TORQUE: 5-7Nm USING M5 BOLT & LOCK WASHER
10-12Nm USING M8 BOLT & LOCK WASHER
- ALL FUSE MUST NO EXCEED 70% OF RATED CURRENT
- MAX. MAIN INPUT: 240A
- OPERATING TEMPERATURE RANGE: -40°C TO + 120°C
- ADJUST CABLE GASKET AFTER FIX THE THE CABLE ON BOLT FOR HIGH SEALING PERFORMANCE
- M8 MOUNTING TORQUE: 10-12 Nm

NO.	COMPONENT NO.	COMPONENT NAME	QTY	U	
DIMENSION: MM TOLERANCES UNLESS OTHERWISE SPECIFIED					
ONE PLACE DECIMAL ± 0.5 THREE PLACES DECIMAL ± 0.100 TWO PLACES DECIMAL ± 0.20 ANGULAR ± 2°					
DIMENSIONS ARE SHOWN IN MILLIMETERS. DIMENSIONS AND TOLERANCES ARE DEFINED ACCORDING TO ANSI/ASME Y14.5-1994.					
PER CH-NPDD-008 PROCEDURE	●	FIT/ FUNCTION CRITICAL CHARACTERISTICS			
	<S>	SAFETY/ COMPLIANCE CRITICAL CHARACTERISTICS SYMBOL			
	CPK	DENOTES CPK DIMENSIONS MINIMUM CPK VALUE			
	(ST)	DENOTES A CHARACTERISTIC THAT PROVIDES AN INDICATION OF PROCESS PERFORMANCE. PROCEDURE FOR MEASUREMENT AND TRACKING TO BE DEFINED IN LITTELFUSE INSPECTION INSTRUCTIONS			
CP	DENOTES CP DIMENSIONS. -MINIMUM CP VALUE MUST BE WITHIN THE DIMENSIONAL LIMITATIONS SHOWN ON DRAWING AND INITIALLY LOCATED TO ALLOW FOR MAXIMUM TOOL LIFE				
NAME	DATE	<p>Littelfuse Expertise Applied Answers Delivered</p>			
DRAWN	D.SILVA				1/8/2023
CHECKED	S.CASTILLO				2/23/2023
FORM NO. CVP-PE40-0005 REV B					TITLE
THIRD ANGLE PROJECTION		SEAL KIT, LTX PDM Acc			
SIZE	C	DWG. NO.	OL-07981003ZXS	REV.	
DO NOT SCALE DRAWING	SCALE 1:1			A	
			SHEET 1 OF 2		

THIS DRAWING AND THE INFORMATION CONTAINED WITHIN IT ARE CONFIDENTIAL AND MAY NOT BE COPIED OR DISCLOSED WITHOUT THE WRITTEN PERMISSION OF LITTELFUSE.



LASER TRACKING NO. AREA



NO.	COMPONENT NO.	DESCRIPTION	QTY/M	U/M
8	-	SEAL KIT	1	EA
7	-	BREATH VENT	1	EA
6	-	BIG BASE	1	EA
5	-	BUS BAR	1	EA
4	-	COVER GASKET	1	EA
3	-	INSIDE LABEL	1	EA
2	873-680	TETHER	1	EA
1	-	COVER	1	EA

DIMENSION: MM TOLERANCES UNLESS OTHERWISE SPECIFIED

ONE PLACE DECIMAL ± 0.5 THREE PLACES DECIMAL ± 0.100
TWO PLACES DECIMAL ± 0.20 ANGULAR ± 2°

DIMENSIONS ARE SHOWN IN MILLIMETERS. DIMENSIONS AND TOLERANCES ARE DEFINED ACCORDING TO ANSI/ASME Y14.5-1994.

PER CHNFPD00-008 PROCEDURE

- FIT/ FUNCTION CRITICAL CHARACTERISTICS
- <S> SAFETY/ COMPLIANCE CRITICAL CHARACTERISTICS SYMBOL
- CPK DENOTES CPK DIMENSIONS MINIMUM CPK VALUE
- (ST) DENOTES A CHARACTERISTIC THAT PROVIDES AN INDICATION OF PROCESS PERFORMANCE PROCEDURE FOR MEASUREMENT AND TRACKING TO BE DEFINED IN LITTELFUSE INSPECTION INSTRUCTIONS
- CP DENOTES CP DIMENSIONS. MINIMUM CP VALUE MUST BE WITHIN THE DIMENSIONAL LIMITATIONS SHOWN ON DRAWING AND INITIALLY LOCATED TO ALLOW FOR MAXIMUM TOOL LIFE

NAME	DATE
DRAWN D.SILVA	1/8/2023
CHECKED S.CASTILLO	2/23/2023
FORM NO. CVP-PE40-0005 REV B	
THIRD ANGLE PROJECTION	
DO NOT SCALE DRAWING	

Littelfuse
Expertise Applied | Answers Delivered

TITLE: SEAL KIT, LTX PDM Acc

SIZE: C DWG. NO.: OL-07981003ZXS REV. A

SCALE: 1:1 SHEET 2 OF 2