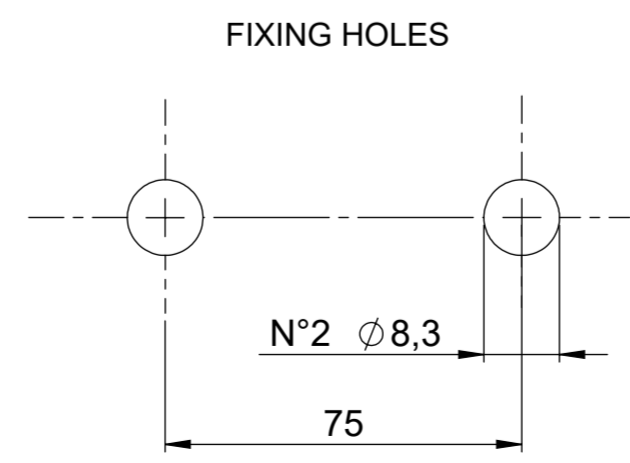
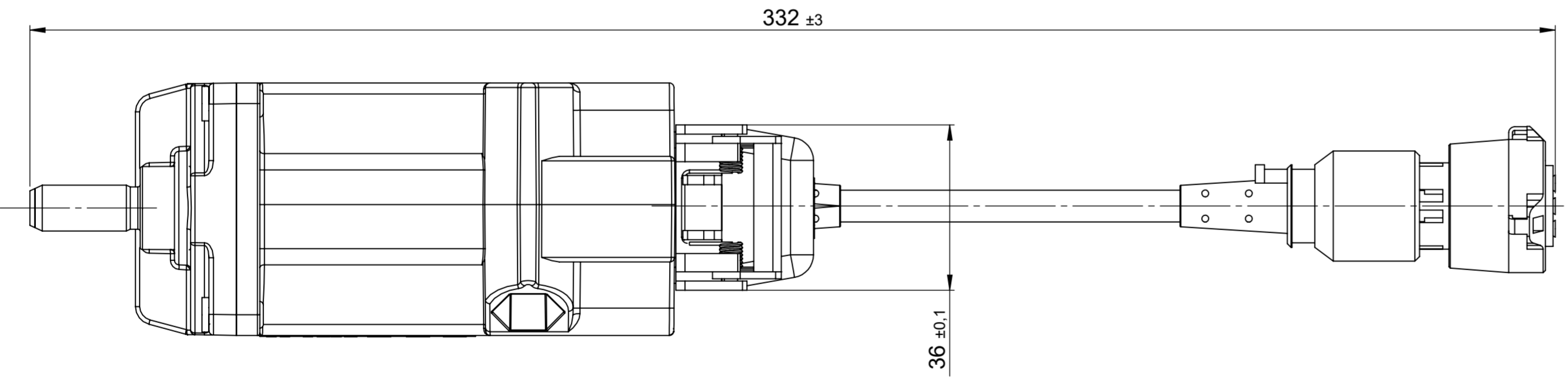
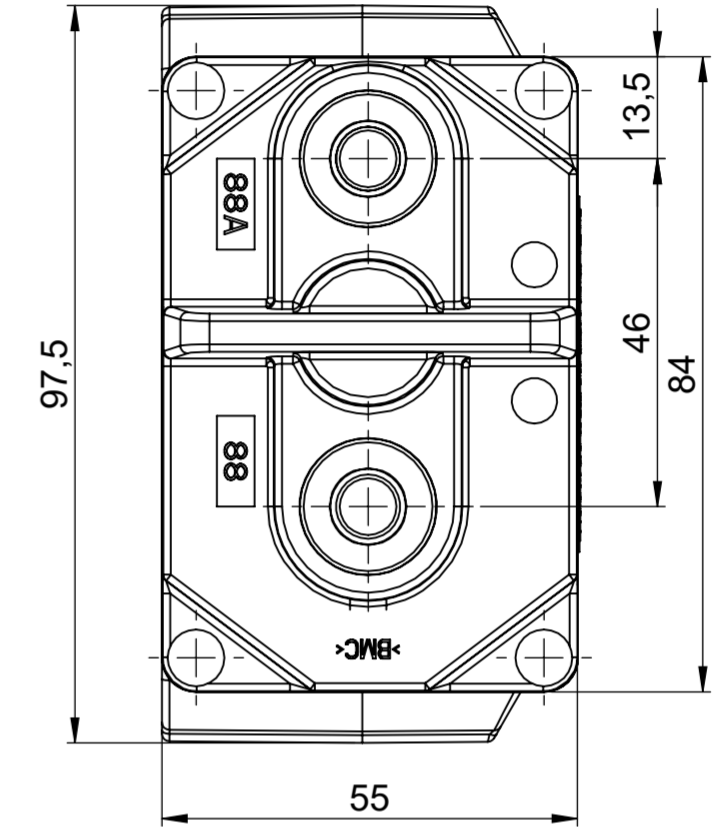
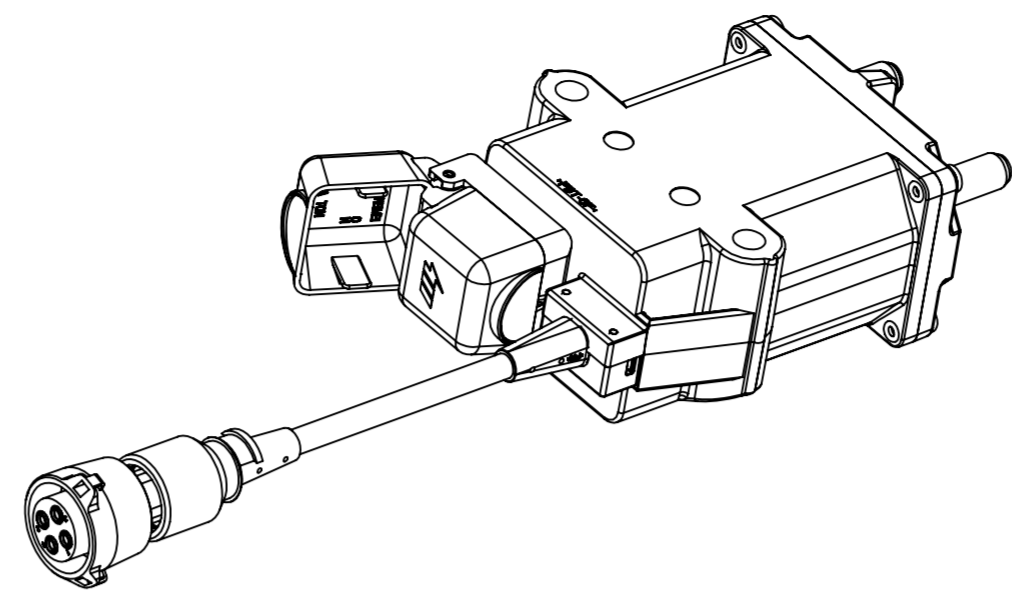
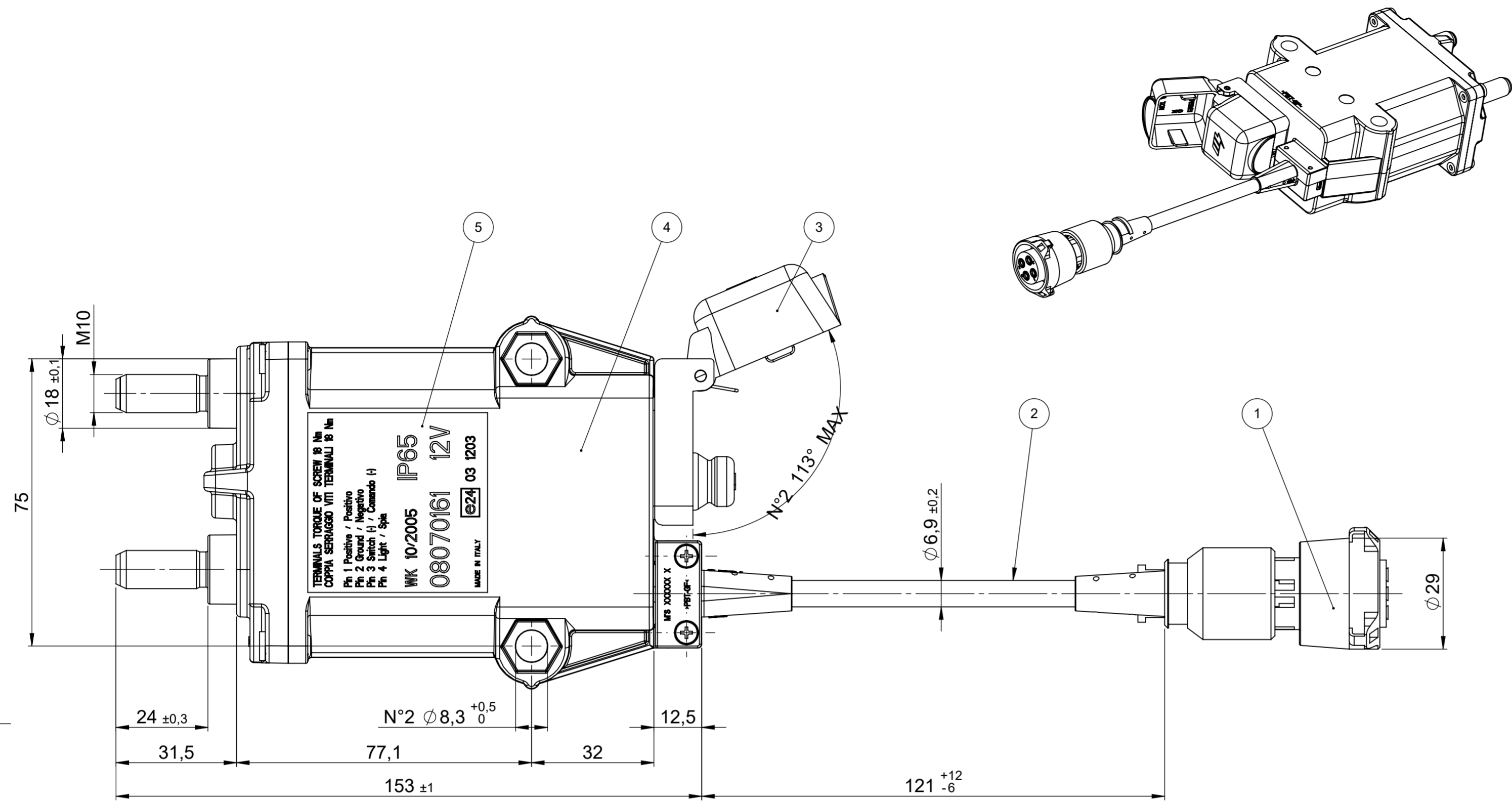


THIS DRAWING AND THE INFORMATION CONTAINED WITHIN IT ARE CONFIDENTIAL AND MAY NOT BE COPIED OR DISCLOSED WITHOUT THE WRITTEN PERMISSION OF LITTELFUSE.

REV.		DESCRIPTION	DATE	DESIGNED	APPROVED
A		FIRST ISSUE OF OUTLINE DRAWING	08-June-20	Gasparini	Tinto



- Legend**
- 1) 4-ways plug connector in according to DIN 72585-1:1996 in black thermoplastic PBT
 - 2) 4 ways wiring
 - 3) Cover in PA6
 - 4) Body battery switch
 - 5) Adhesive label showing: week and year of production, part number, component supplier part number and pin-out connections

CHARACTERISTICS AND PRESCRIPTIONS

- Rated voltage 9 + 16V
- Max direct current 300A
- Max short time current 2000A for 5 sec at 23°C

- Mechanical operations cycles 45000 at 23°C
- Delivery conditions: open main contacts
- Tightening torque nuts M10 and washers supplier 18 ± 1 Nm
- Secure the device to the structure using screws M8 with torque 10 ± 2Nm
- It is recommended to connect the device with the mating connector kit 4 way LITTELFUSE

SAP drawing number:

Material and treatments:

DIMENSIONS AND TOLERANCES IN MILLIMETERS, DEFINED ACCORDING TO ISO 1101-2017.	
linear dimensions	
0,5 3 ±0,2	>3 6 ±0,3
>6 30 ±0,5	>30 120 ±0,8
>120 400 ±1,2	>400 1000 ±2
>1200 2000 ±3	
angle (for range of lengths)	
up to 10 ±1°30'	>10 50 ±1°
>50 120 ±0°30'	>120 400 ±0°15'
●	FIT/ FUNCTION CRITICAL CHARACTERISTICS SYMBOL
<S>	SAFETY/ COMPLIANCE CRITICAL CHARACTERISTICS SYMBOL
CPK	DENOTES CPK DIMENSIONS MINIMUM CPK VALUE
ST	DENOTES A CHARACTERISTIC THAT PROVIDES AN INDICATION OF PROCESS PERFORMANCE. PROCEDURE FOR MEASUREMENT AND TRACKING TO BE DEFINED IN LITTELFUSE INSPECTION INSTRUCTIONS
CP	DENOTES CP DIMENSIONS. MINIMUM CP VALUE MUST BE WITHIN THE DIMENSIONAL LIMITATIONS SHOWN ON DRAWING AND INITIALLY LOCATED TO ALLOW FOR MAXIMUM TOOL LIFE
NAME	DATE
DRAWN L. Dal Molin	29/04/2019
CHECKED -	-
Littelfuse Expertise Applied Answers Delivered	
FORM NO. CVP-PE40-0013 REV A	TITLE
FIRST ANGLE PROJECTION	ELECTRICAL MAIN BATTERY SWITCH
SIZE: A2	12V POS.(+)
SCALE 1:1	OL-08070161
DO NOT SCALE DRAWING	OUTLINE REV. A
SHEET 1 OF 1	