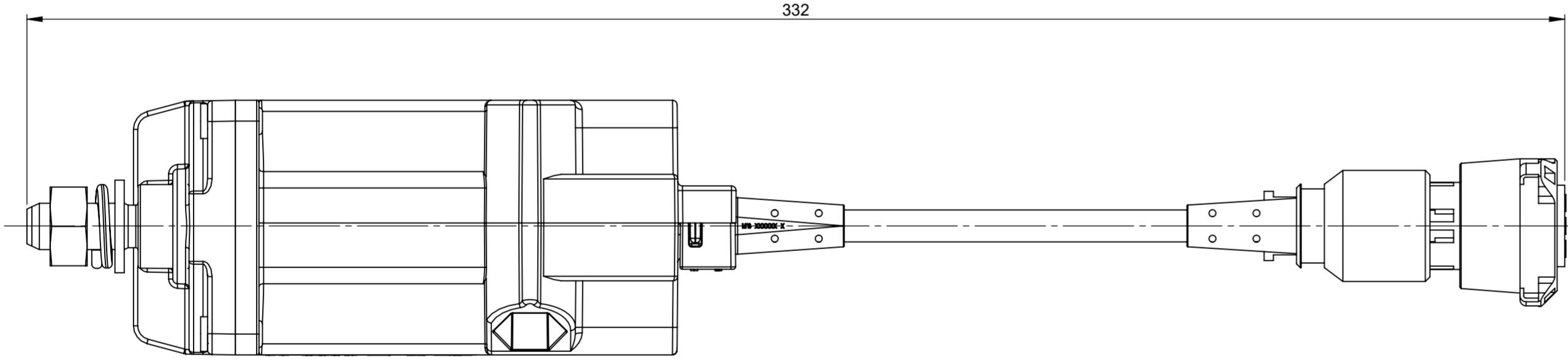
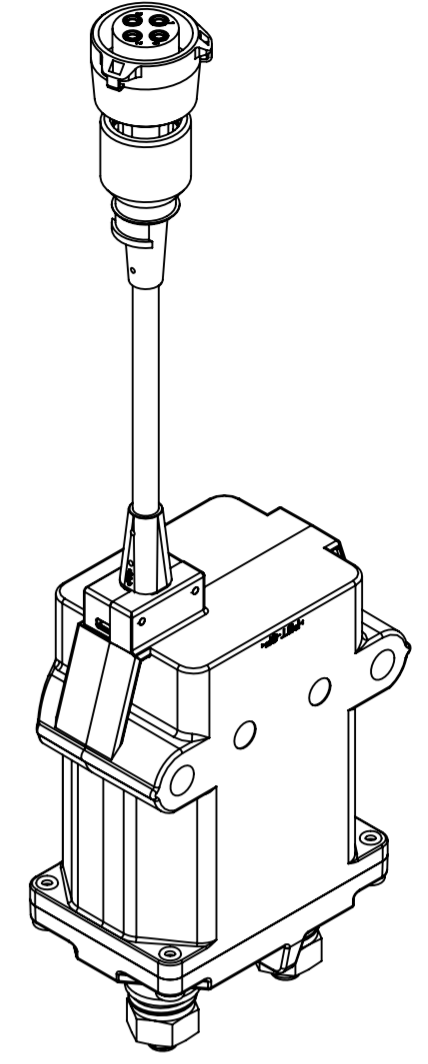
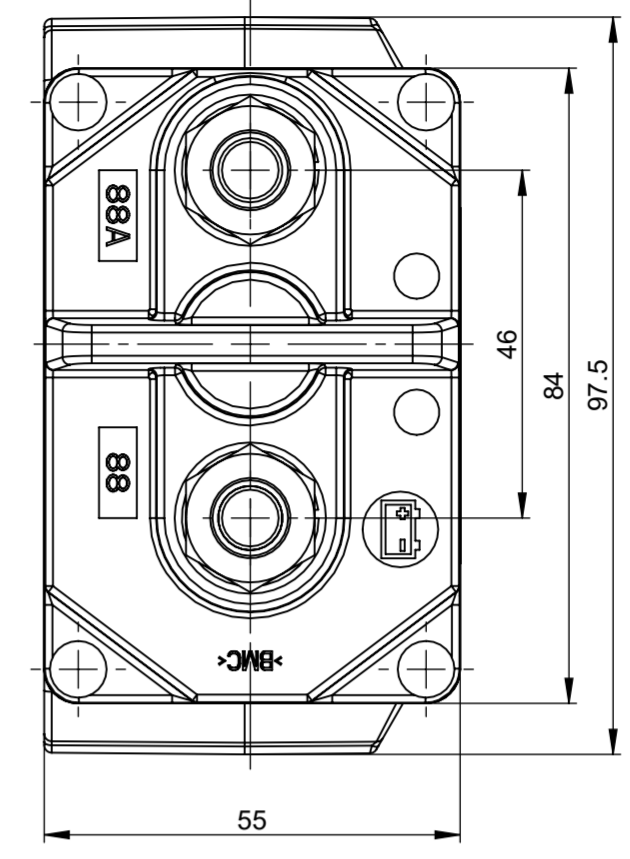
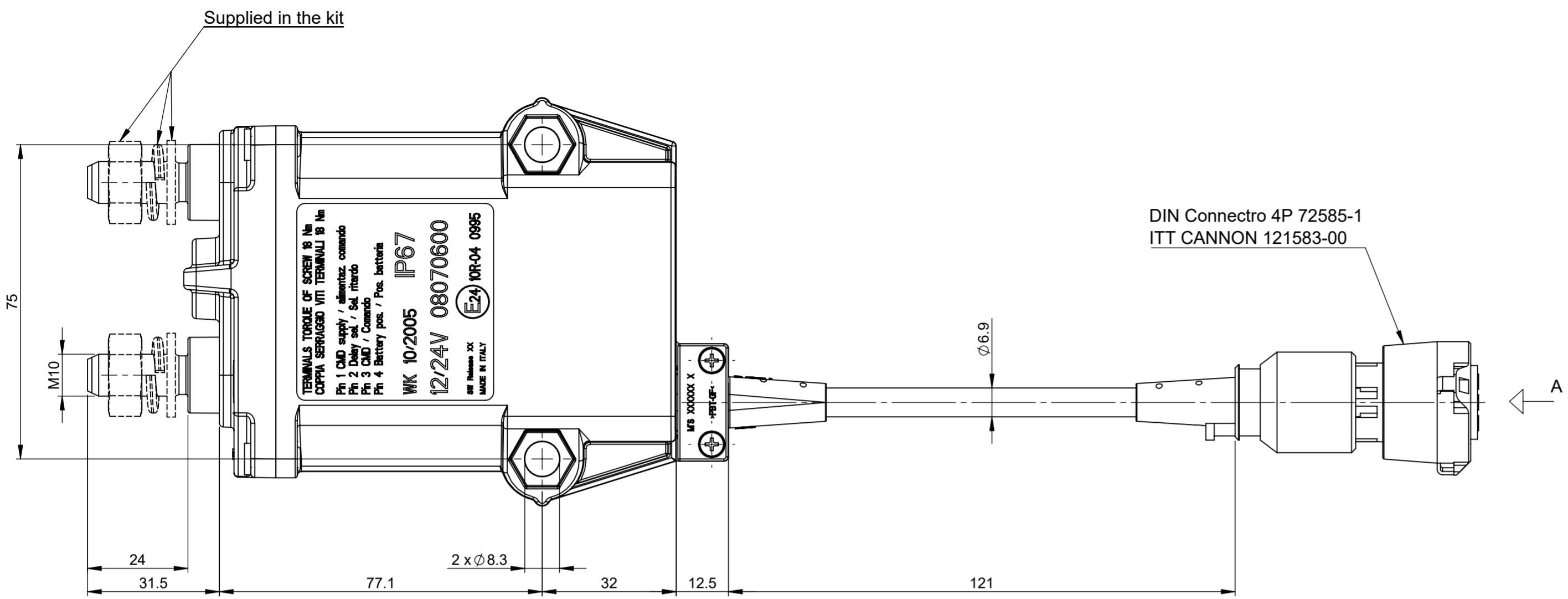
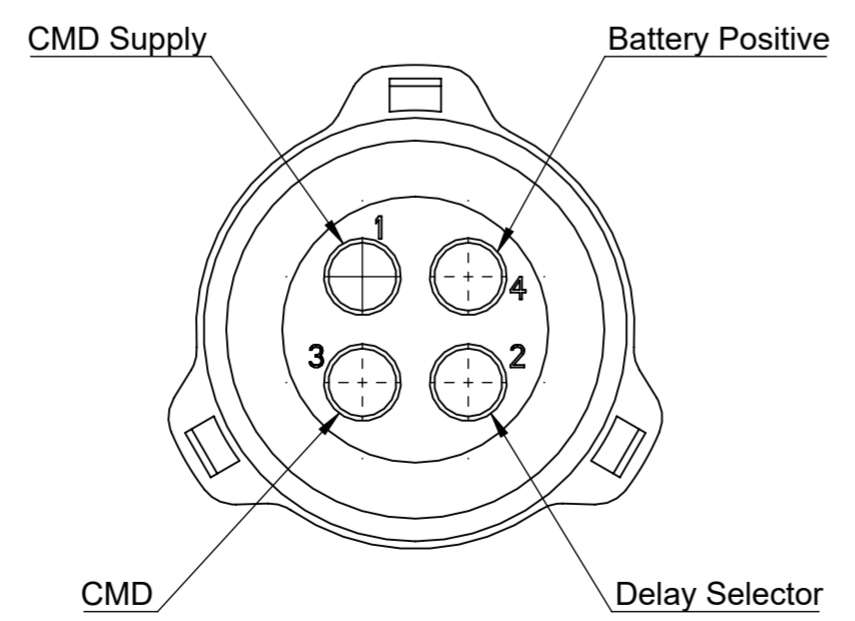
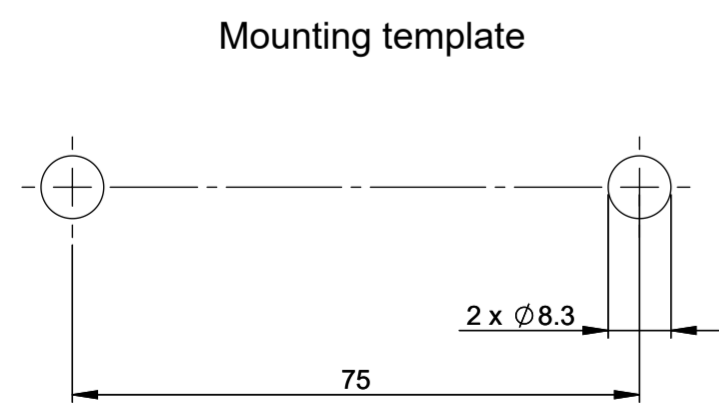


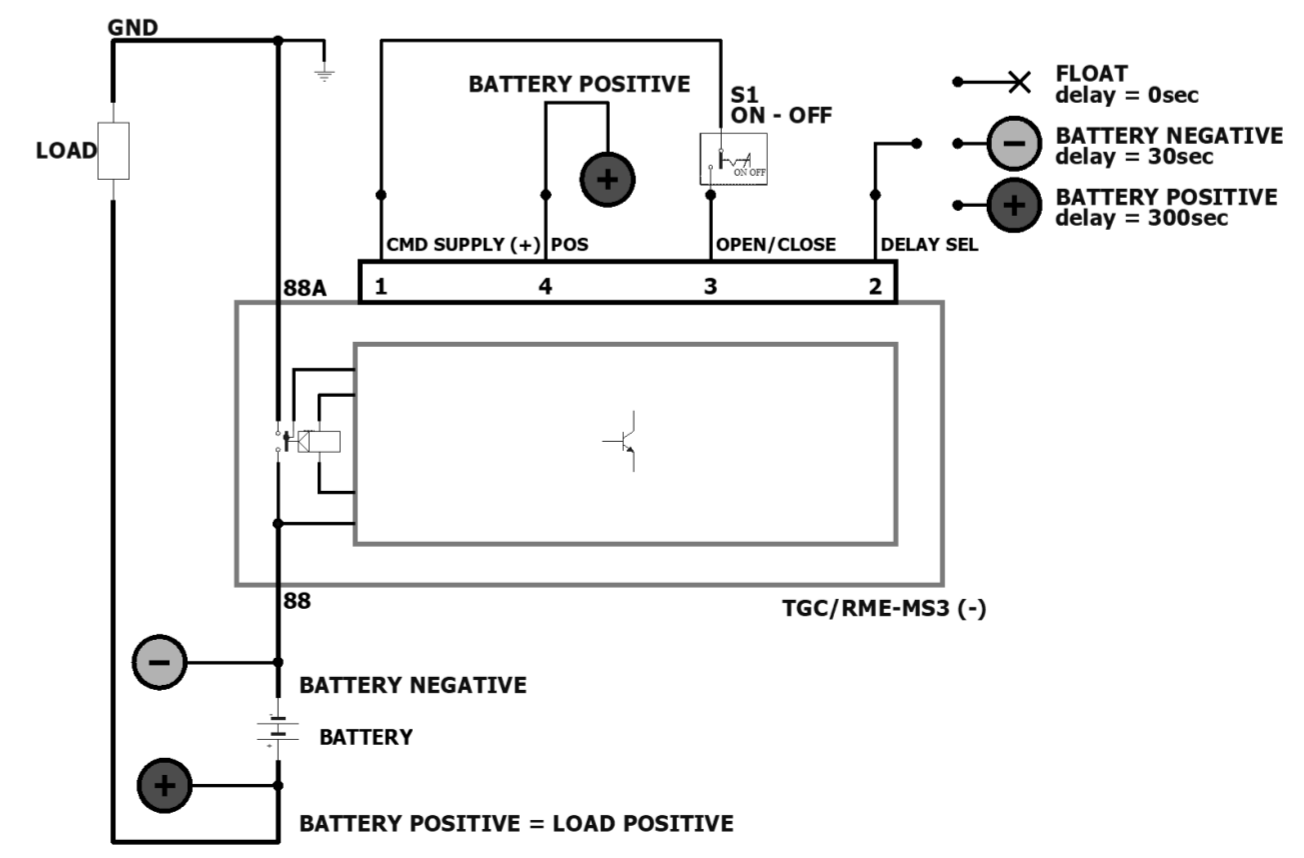
REV.		DESCRIPTION	DATE	GCF / ECR	DESIGNED	APPROVED
A		Initial Release	27/07/2022		L.Dal Molin	M.Tinto



- CHARACTERISTICS**
- Nominal operating voltage: 12 - 24V
 - Working voltage: 13.2 - 28V
 - Maximum direct current on main contacts: 250A
 - Short time maximum current on main contacts: 2000A for 5 sec.
 - Number of electrical and mechanical cycles: 45.000
 - Locking torque for nuts M10: 18 ± 1 Nm
 - Fix the device to the structure by means of M8 screws with locking torque: 10 ± 2 Nm
 - Supplying state: main bridge open



View from "A" - Scale 2:1
SCALA 2:1



DIMENSIONS AND TOLERANCES IN MILLIMETERS, DEFINED ACCORDING TO ISO 1101-2017.

linear dimensions						
0,5	>3	>6	>30	>120	>400	>1000
3	6	30	120	400	1000	2000
±0,2	±0,3	±0,5	±0,8	±1,2	±2	±3

angle (for range of lengths)			
up to 10	>10	>50	>120
±1°30'	±1°	±0°30'	±0°15'

FIT/ FUNCTION CRITICAL CHARACTERISTICS SYMBOL	
<S> SAFETY/ COMPLIANCE CRITICAL CHARACTERISTICS SYMBOL	
CPK	DENOTES CPK DIMENSIONS MINIMUM CPK VALUE
ST	DENOTES A CHARACTERISTIC THAT PROVIDES AN INDICATION OF PROCESS PERFORMANCE.PROCEDURE FOR MEASUREMENT AND TRACKING TO BE DEFINED IN LITTELFUSE INSPECTION INSTRUCTIONS
CP	DENOTES CP DIMENSIONS. MINIMUM CP VALUE MUST BE WITHIN THE DIMENSIONAL LIMITATIONS SHOWN ON DRAWING AND INITIALLY LOCATED TO ALLOW FOR MAXIMUM TOOL LIFE
NAME	DATE
DRAWN	L. Dal Molin 27 Jul 2022
CHECKED	-
Littelfuse Expertise Applied Answers Delivered	
FORM NO.	CVP-PE40-0013 REV A
FIRST ANGLE PROJECTION	(-)
SIZE	A2
DWG. NO.	OL-08070600
SCALE	1:1
DO NOT SCALE DRAWING	SHEET 1 OF 1