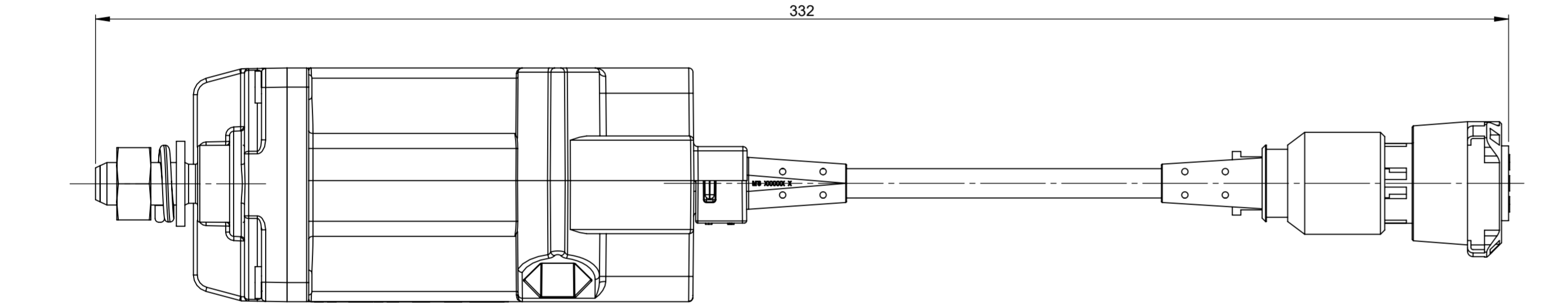
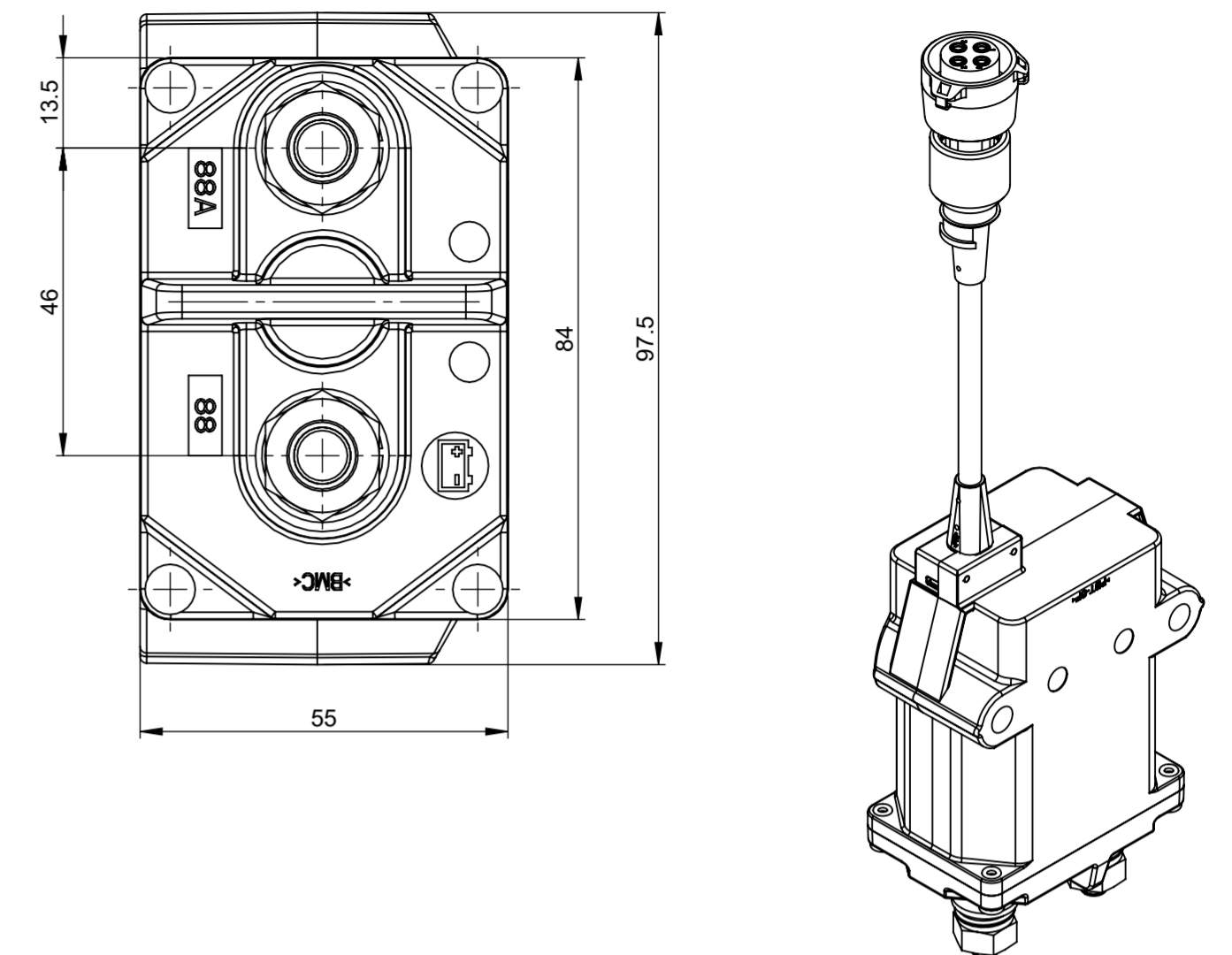
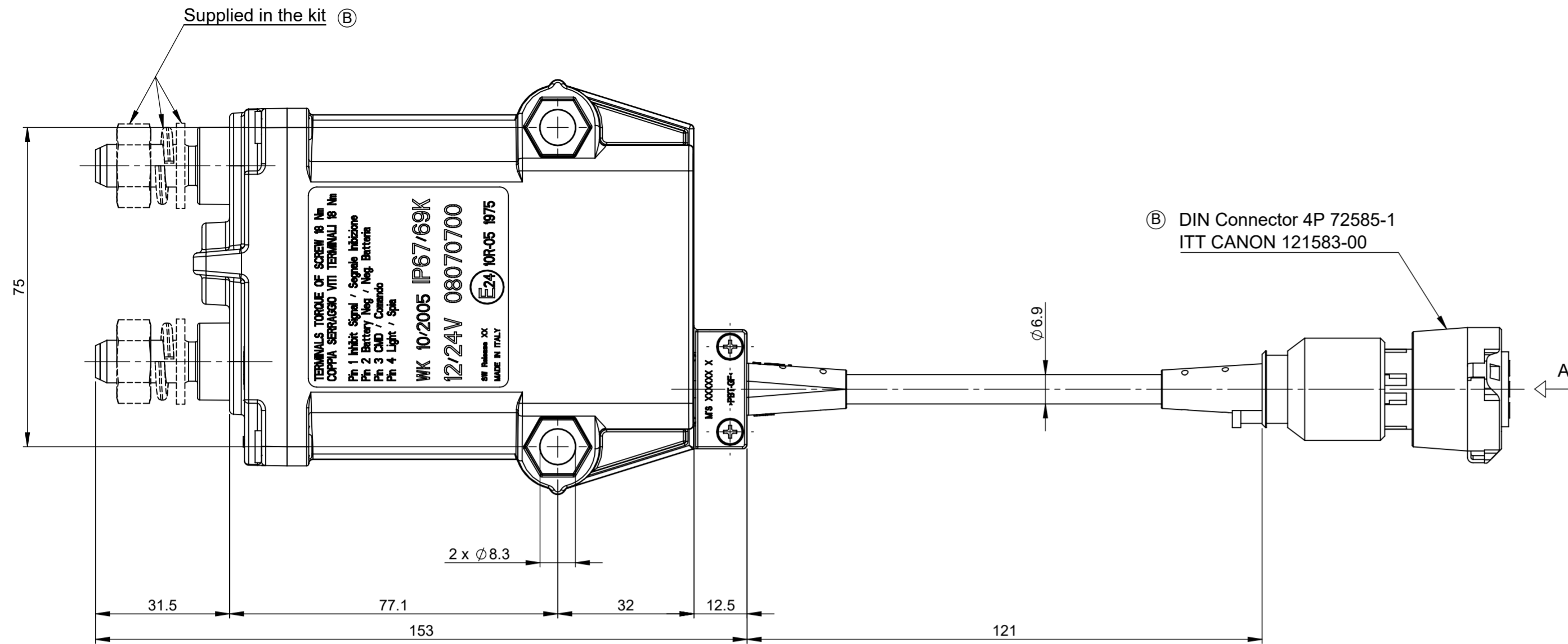
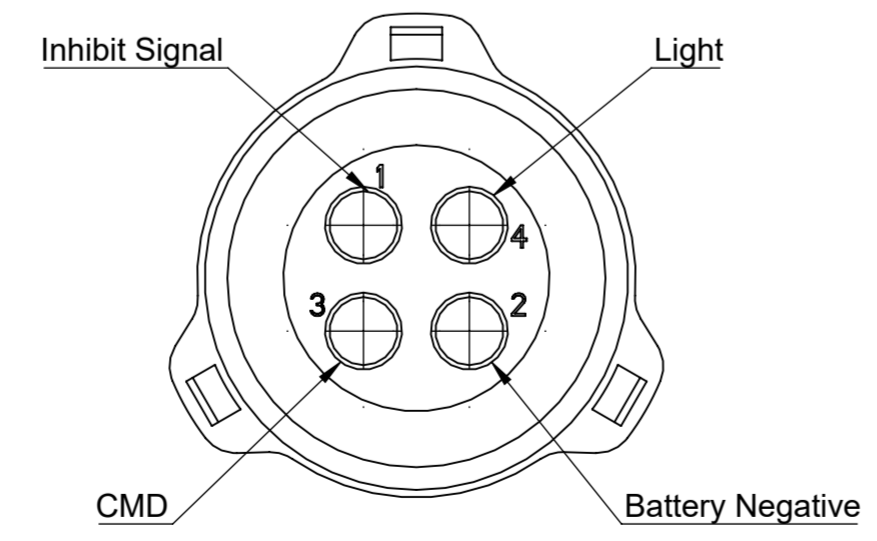
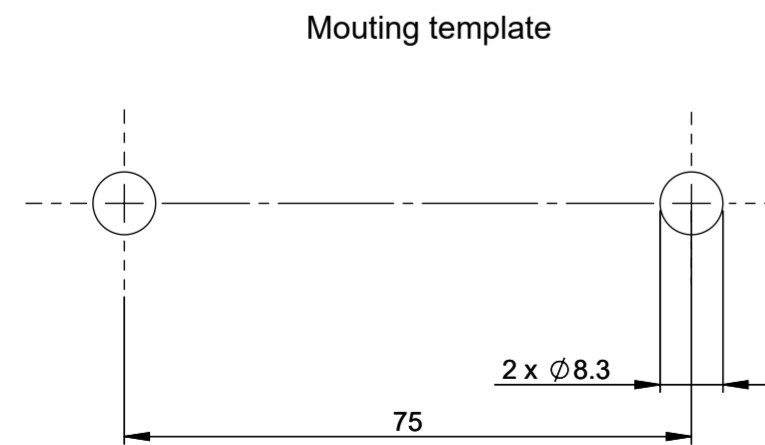


THIS DRAWING AND THE INFORMATION CONTAINED WITHIN IT ARE CONFIDENTIAL AND MAY NOT BE COPIED OR DISCLOSED WITHOUT THE WRITTEN PERMISSION OF LITTELFUSE.

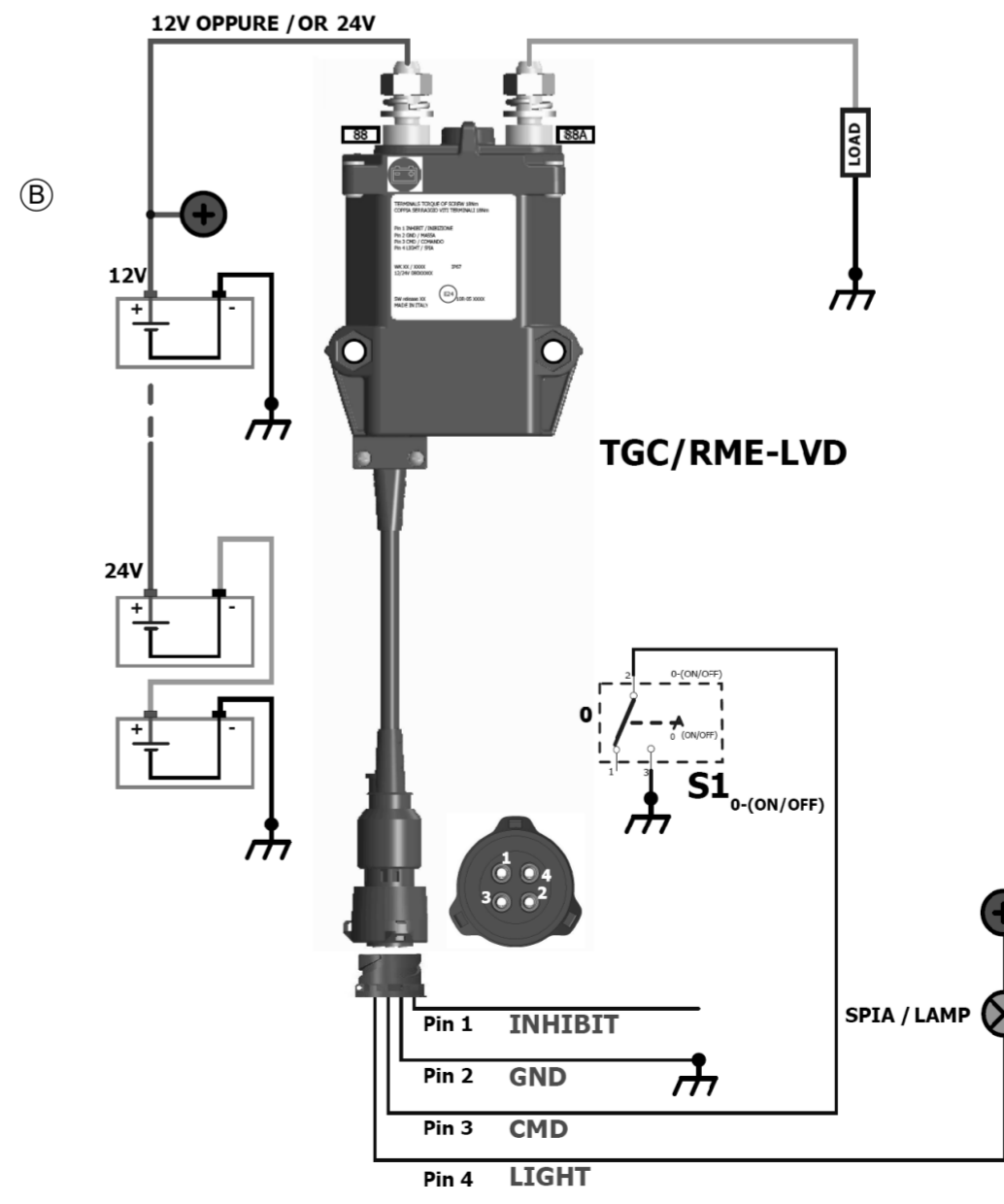
		REVISIONS			
REV.	DESCRIPTION	DATE	GCF / ECR	DESIGNED	APPROVED
A	First issue of outline drawing	11-Jun-20		Gasparini	Tinto
B	Updated notes, added notes and electrical diagram	28-Jul-22		L.Dal Molin	M.Tinto



- (B) CHARACTERISTICS**
- Nominal operating voltage: 12 -24V
  - Working voltage: 13.2 - 28V
  - Maximum direct current on main contacts: 250A
  - Short time maximum current on main contacts: 2000A for 5 sec.
  - Number of electrical and mechanical cycles: 45.000
  - Locking torque for nuts M10: 18 ± 1 Nm
  - Fix the device to the structure by means of M8 screws with locking torque: 10 ± 2 Nm
  - Supplying state: main bridge open



View from "A" - Scale 2:1  
SCALA 2:1



DIMENSIONS AND TOLERANCES IN MILLIMETERS, DEFINED ACCORDING TO ISO 1101-2017.						
linear dimensions						
0,5 3	>3 6	>6 30	>30 120	>120 400	>400 1000	>1000 2000
±0,2	±0,3	±0,5	±0,8	±1,2	±2	±3
angle (for range of lengths)						
up to 10	>10 50	>50 120	>120 400	>400 1000	>1000 2000	
±1°30'	±1°	±0°30'	±0°15'			
<p>● FIT/ FUNCTION CRITICAL CHARACTERISTICS SYMBOL</p> <p>&lt;S&gt; SAFETY/ COMPLIANCE CRITICAL CHARACTERISTICS SYMBOL</p> <p>CPK DENOTES CPK DIMENSIONS MINIMUM CPK VALUE</p> <p>ST DENOTES A CHARACTERISTIC THAT PROVIDES AN INDICATION OF PROCESS PERFORMANCE.PROCEDURE FOR MEASUREMENT AND TRACKING TO BE DEFINED IN LITTELFUSE INSPECTION INSTRUCTIONS</p> <p>CP DENOTES CP DIMENSIONS. MINIMUM CP VALUE MUST BE WITHIN THE DIMENSIONAL LIMITATIONS SHOWN ON DRAWING AND INITIALLY LOCATED TO ALLOW FOR MAXIMUM TOOL LIFE</p>						
NAME	DATE	<p>Expertise Applied   Answers Delivered</p>				
DRAWN						
CHECKED						
FORM NO. CVP-PE40-0013 REV A		TITLE				
FIRST ANGLE PROJECTION		General Electrical 12/24V Main Switch TGC/RME-LVD (+)				
SIZE	A2	DWG. NO.	OL-08070700	OUTLINE REV.	B	
DO NOT SCALE DRAWING		SCALE 1:1	SHEET 1 OF 1			