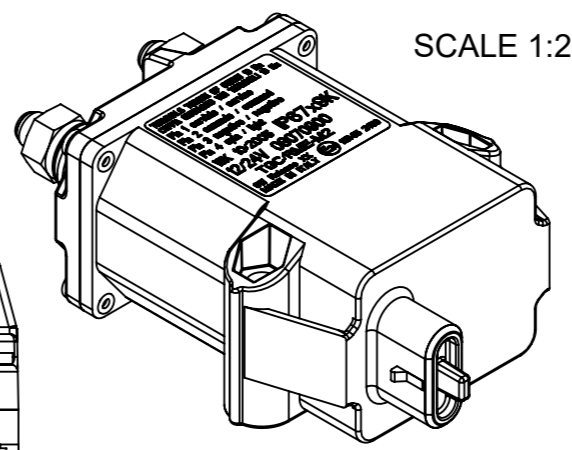
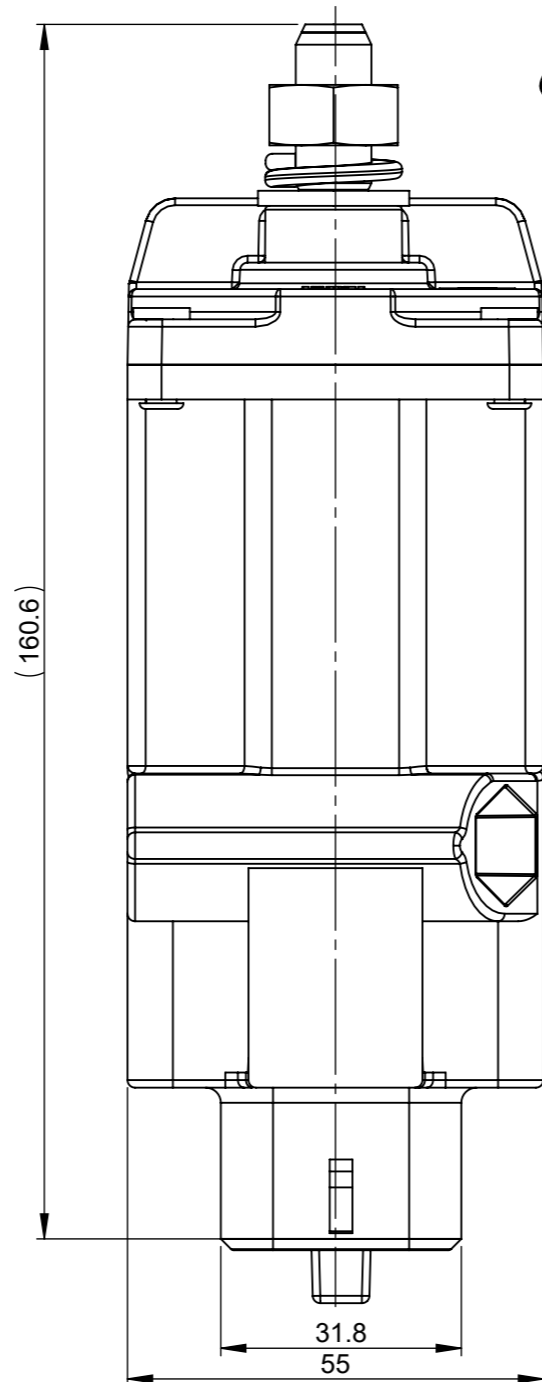
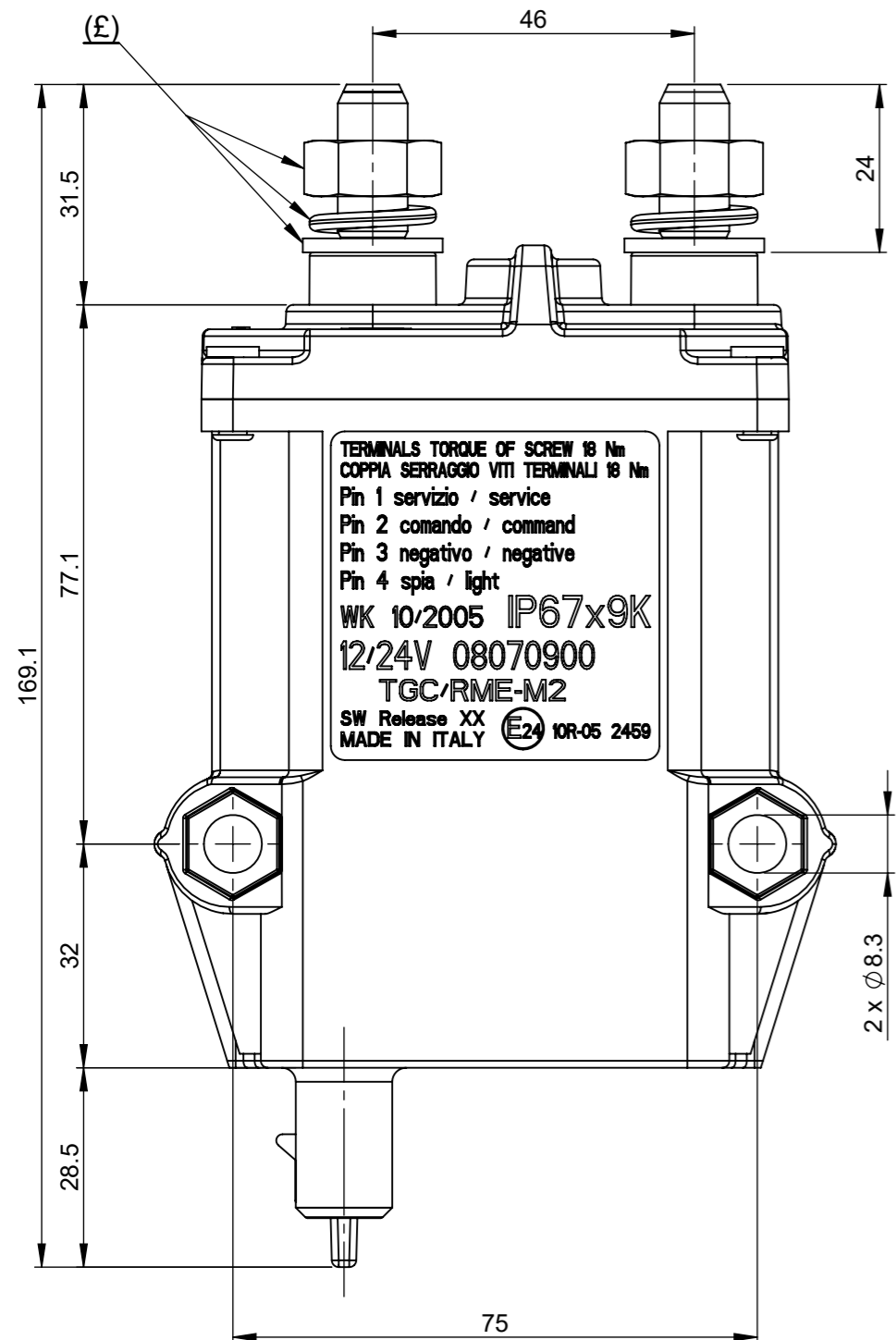
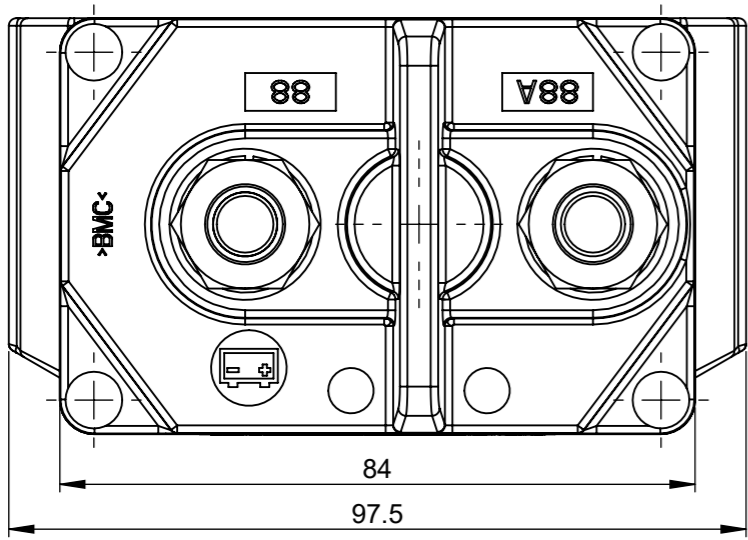
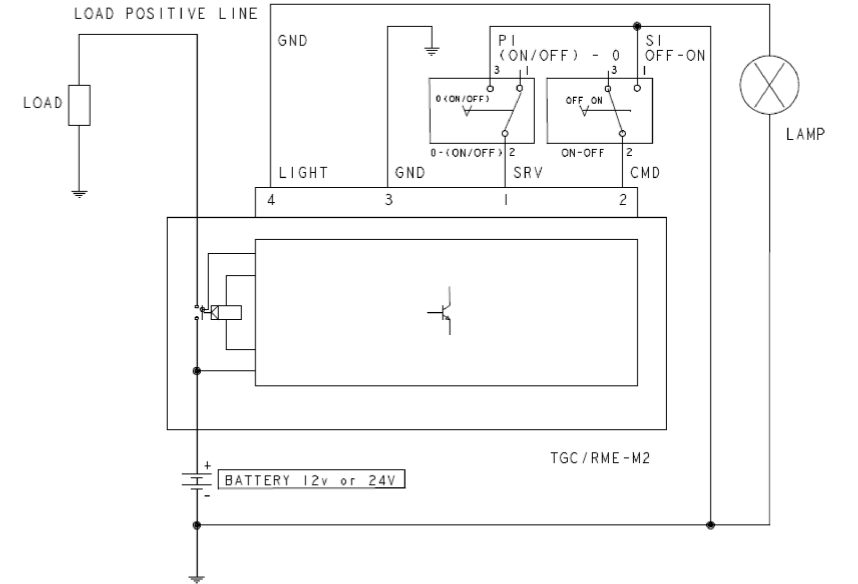


THIS DRAWING AND THE INFORMATION CONTAINED WITHIN IT ARE CONFIDENTIAL AND MAY NOT BE COPIED OR DISCLOSED WITHOUT THE WRITTEN PERMISSION OF LITTELFUSE.

REVISIONS					
REV.	DESCRIPTION	DATE	GCF / ECR	DESIGNED	APPROVED
A	Initial release	17-Jan-23		L.Dal Molin	M.Tinto



SCHEMA ELETTRICO
 Electrical diagram



CHARACTERISTICS

- Amperage: 250A
- Nominal operating voltage: 12-24V
- Voltage range: 8.5V to 32V
- Max cranking current: 800A x 30 sec.
- Max peak current: 2000A x 5 sec.
- Number of mechanical and electrical cycles: 45.000
- Tightening torque of M10 nuts: 18 ± 1 Nm
- (£) Provided in the kit

DIMENSIONS AND TOLERANCES IN MILLIMETERS, DEFINED ACCORDING TO ISO 1101-2017.

linear dimensions						
0,5	>3	>6	>30	>120	>400	>1000
3	6	30	120	400	1000	2000
±0,2	±0,3	±0,5	±0,8	±1,2	±2	±3

angle (for range of lengths)			
up to	>10	>50	>120
10	50	120	400
±1°30'	±1°	±0°30'	±0°15'

●	FIT/ FUNCTION CRITICAL CHARACTERISTICS SYMBOL
<S>	SAFETY/ COMPLIANCE CRITICAL CHARACTERISTICS SYMBOL
CPK	DENOTES CPK DIMENSIONS MINIMUM CPK VALUE
ST	DENOTES A CHARACTERISTIC THAT PROVIDES AN INDICATION OF PROCESS PERFORMANCE. PROCEDURE FOR MEASUREMENT AND TRACKING TO BE DEFINED IN LITTELFUSE INSPECTION INSTRUCTIONS
CP	DENOTES CP DIMENSIONS, -MINIMUM CP VALUE MUST BE WITHIN THE DIMENSIONAL LIMITATIONS SHOWN ON DRAWING AND INITIALLY LOCATED TO ALLOW FOR MAXIMUM TOOL LIFE

NAME	DATE	<p>Expertise Applied Answers Delivered</p>
DRAWN L. Dal Molin	17 Jan 2023	
CHECKED	-	TITLE
-	-	ELECTRICAL BMS TGC/RME-M2 12V-24V (+)
-	-	FORM NO: CVP-PE40-0013 REV A
-	-	FIRST ANGLE PROJECTION
DO NOT SCALE DRAWING	SCALE 1:1	SIZE: A3 DWG. NO. OL-08070900 OUTLINE REV. A
		SHEET 1 OF 1