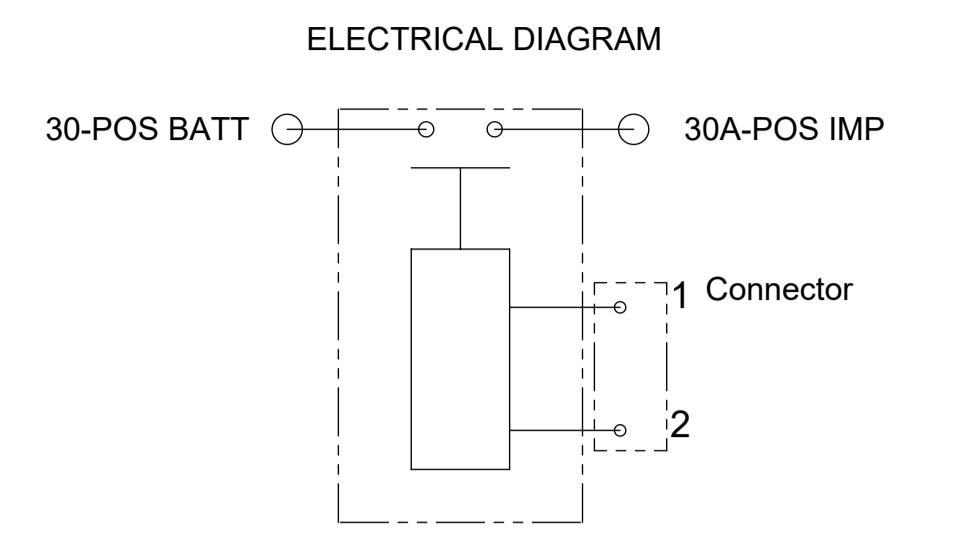
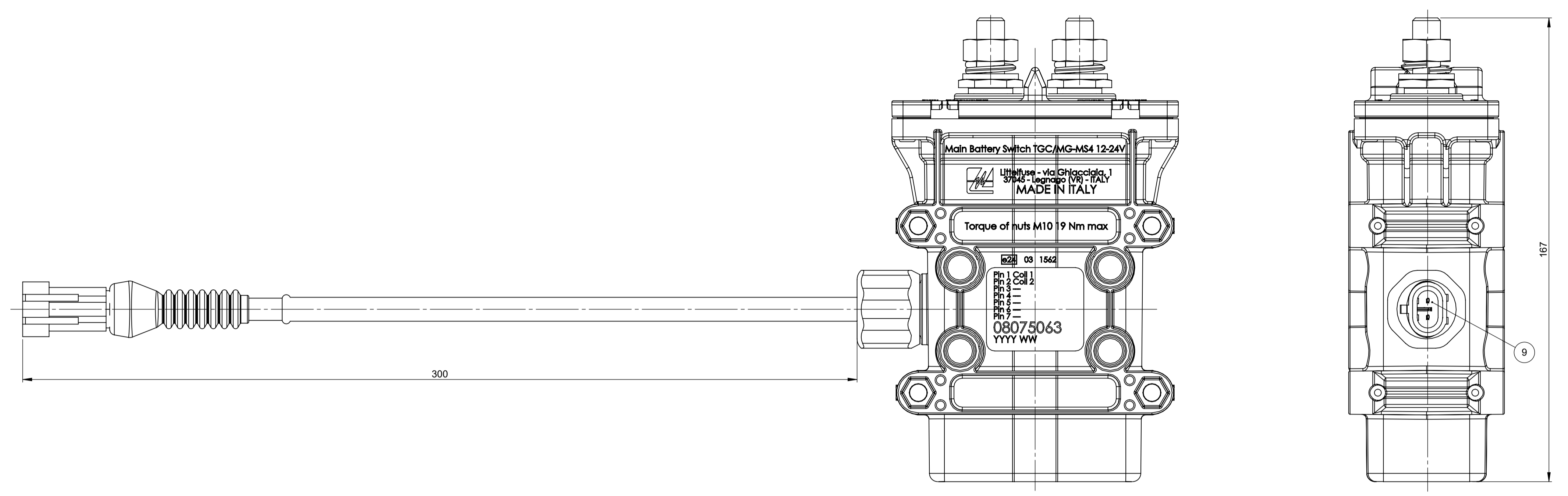


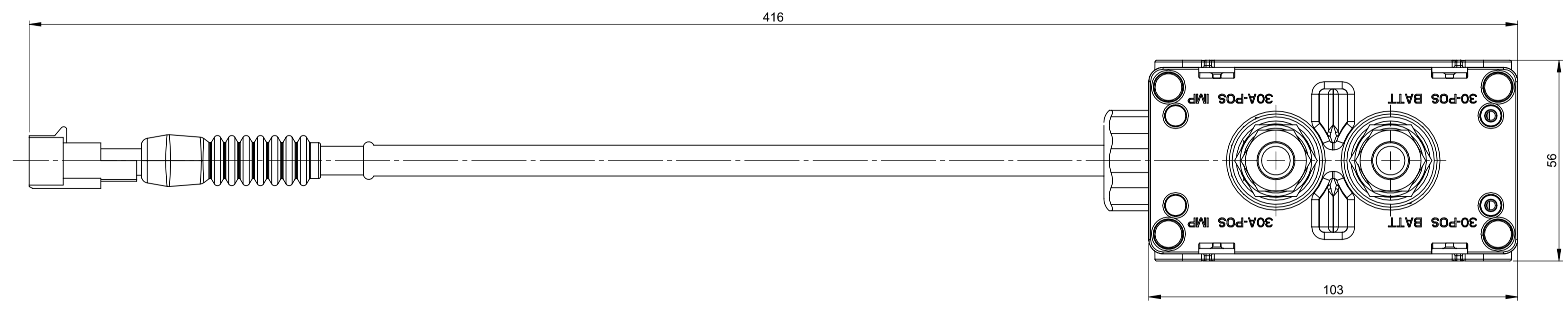
THIS DRAWING AND THE INFORMATION CONTAINED WITHIN IT ARE CONFIDENTIAL AND MAY NOT BE COPIED OR DISCLOSED WITHOUT THE WRITTEN PERMISSION OF LITTELFUSE.

REVISIONS		DATE	GCF / ECR	DESIGNED	APPROVED
REV	DESCRIPTION	09-Sep-21		L.Dal Molin	M.Tinto
A	First issue of outline drawing				



Pin Connector	Polarity	Power max 1 sec.	Main Contact
1	+		ON
2	-		

Pin Connector	Polarity	Power max 1 sec.	Main Contact
1	+		OFF
2	-		

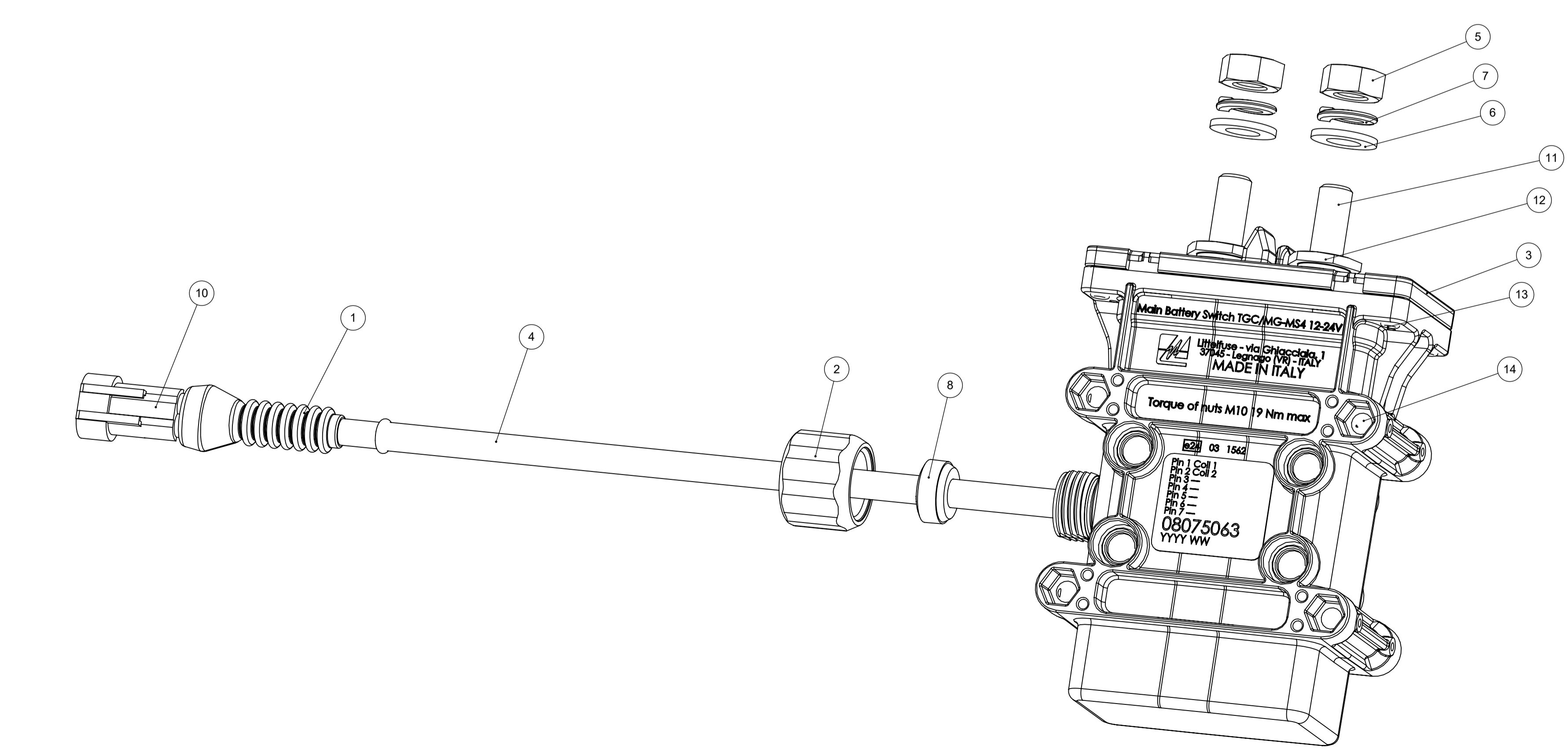


PRESCRIPTION:

- Torque of screw M10 = 19 Nm max
- Fix the device with M6 screw and with torque of 6±2 Nm
- Nuts and bolts Rif.5-6-7 supplied on kit Littelfuse code 10843650

CHARACTERISTICS:

- Nominal working tension: 14.5 V - 28.5 V
- Nominal working current: 5 A - 10 A
- Nominal working current main contact: 250 A
- Nominal max current main contact: 2000 A for 5 sec.



POS.	P/N	DESCRIPTION	MATERIAL	Therm. treat.	Q.TÀ	U/M
14		Box short outlet cable tie	PBT/GF/2/PB		1	EA
13		Rivet	Steel		4	EA
12		Fixing nut for screw	Brass	Nickel plating	2	EA
11		Power stud M10	Brass	Silver plating	2	EA
10		Male connector housing	PA66		1	EA
9		Male contact	Brass		2	EA
8		1 way fairlead grommet d.9	Rubber		1	EA
7		Spring washer To 10	Steel		2	EA
6		Plain washer Te 10.5 x 20	Steel		2	EA
5		M10 nut	Steel		2	EA
4		Cable 4 x 1.5			1	EA
3		Top cover	Thermosetting material		1	EA
2		Cable tie nut M22x2	PA6/GF/1/PGR		1	EA
1		Two-way fairlead	Rubber		1	EA

DIMENSIONS AND TOLERANCES IN MILLIMETERS, DEFINED ACCORDING TO ISO 1101:2017.

linear dimensions						
0,5	>3	>6	>30	>120	>400	>1000
±0,2	±0,3	±0,5	±0,8	±1,2	±2	±3

angle (for range of lengths)			
up to 10	>10	>50	>120
±1°30'	±1°	±0°30'	±0°15'

● FIT: FUNCTION CRITICAL CHARACTERISTICS SYMBOL
 <S> SAFETY/ COMPLIANCE CRITICAL CHARACTERISTICS SYMBOL
 CPK DENOTES CPK DIMENSIONS MINIMUM CPK VALUE
 (ST) DENOTES A CHARACTERISTIC THAT PROVIDES AN INDICATION OF PROCESS PERFORMANCE PROCEDURE FOR MEASUREMENT AND TRACKING TO BE DEFINED IN LITTELFUSE INSPECTION INSTRUCTIONS
 CP DENOTES CP DIMENSIONS. MINIMUM CP VALUE MUST BE WITHIN THE DIMENSIONAL LIMITATIONS SHOWN ON DRAWING AND INITIALLY LOCATED TO ALLOW FOR MAXIMUM TOOL LIFE

NAME	DATE
L. Dal Molin	09-Sep-21

Littelfuse
 Expertise Applied | Answers Delivered

FORM NO. CP-RES-0013 REV. A
 FIRST ANGLE PROJECTION
 DO NOT SCALE DRAWING
 TITLE: TGC/MS4 12-24V
 SIZE: A1
 DWG. NO. OL-08075063
 SHEET 1 OF 1

SAP drawing number: