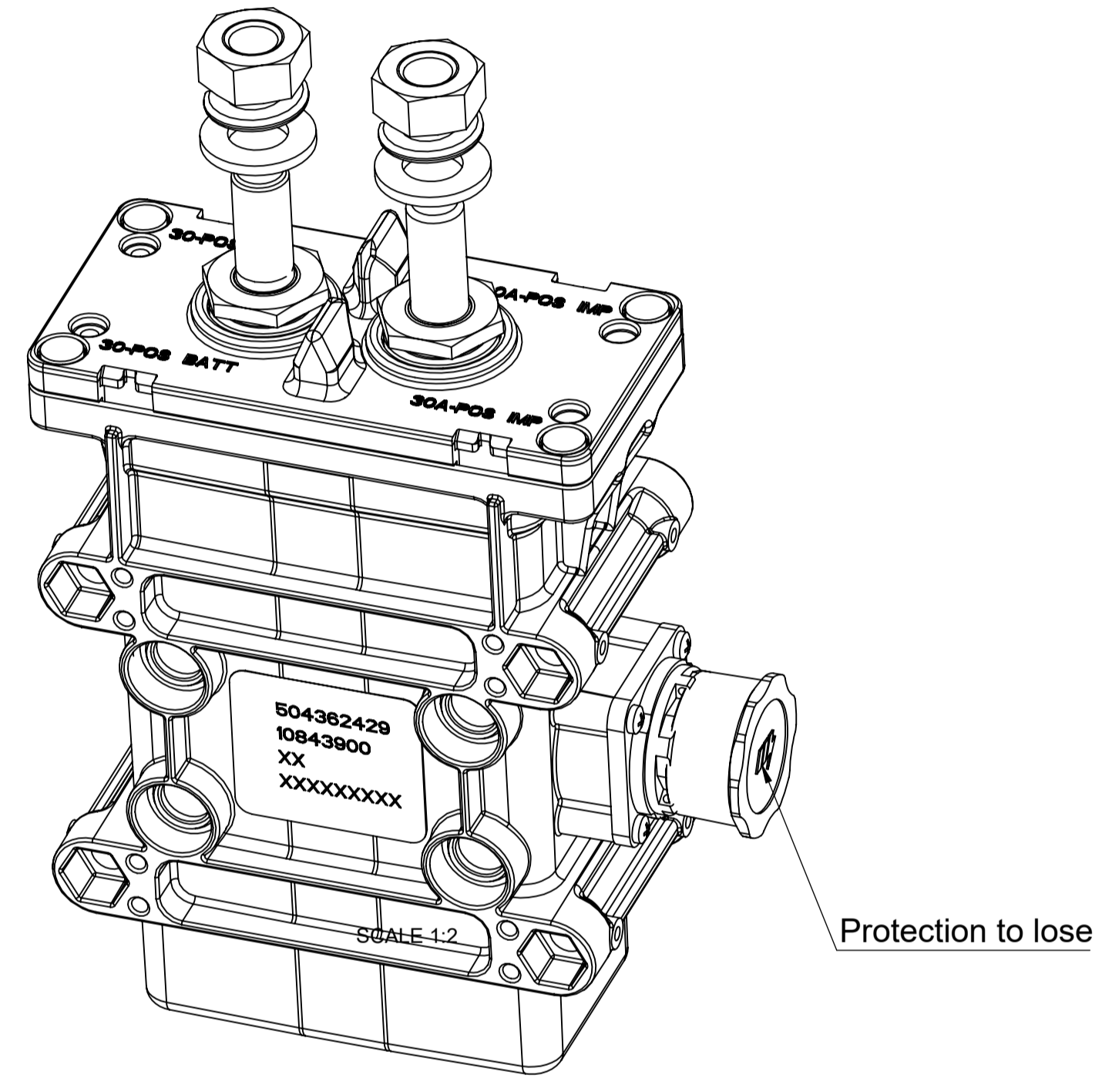
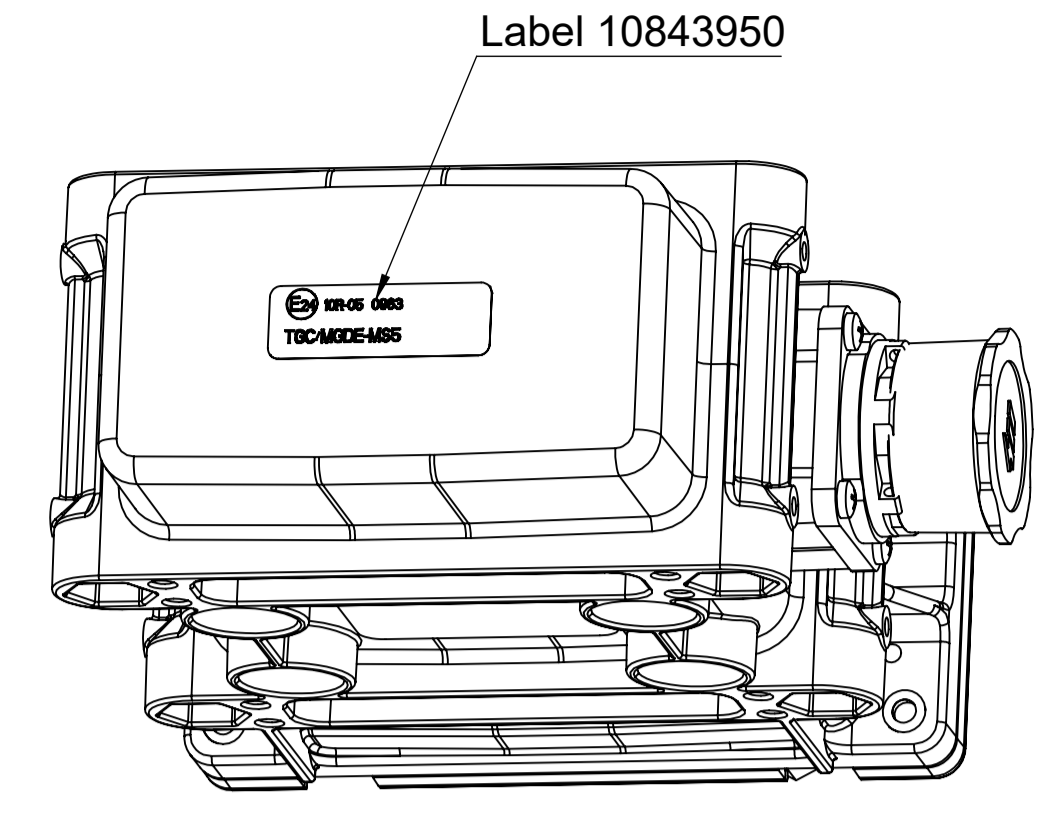
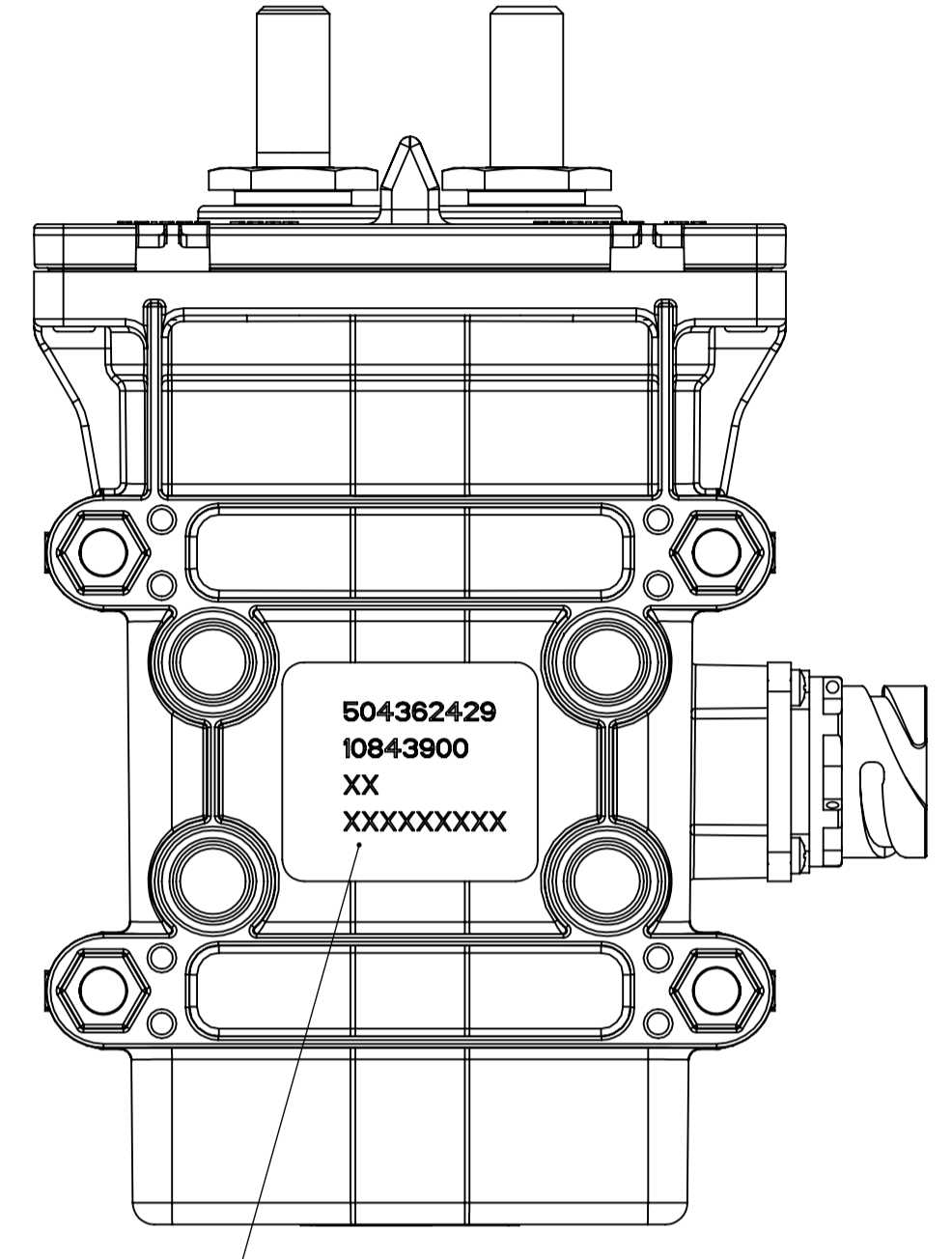
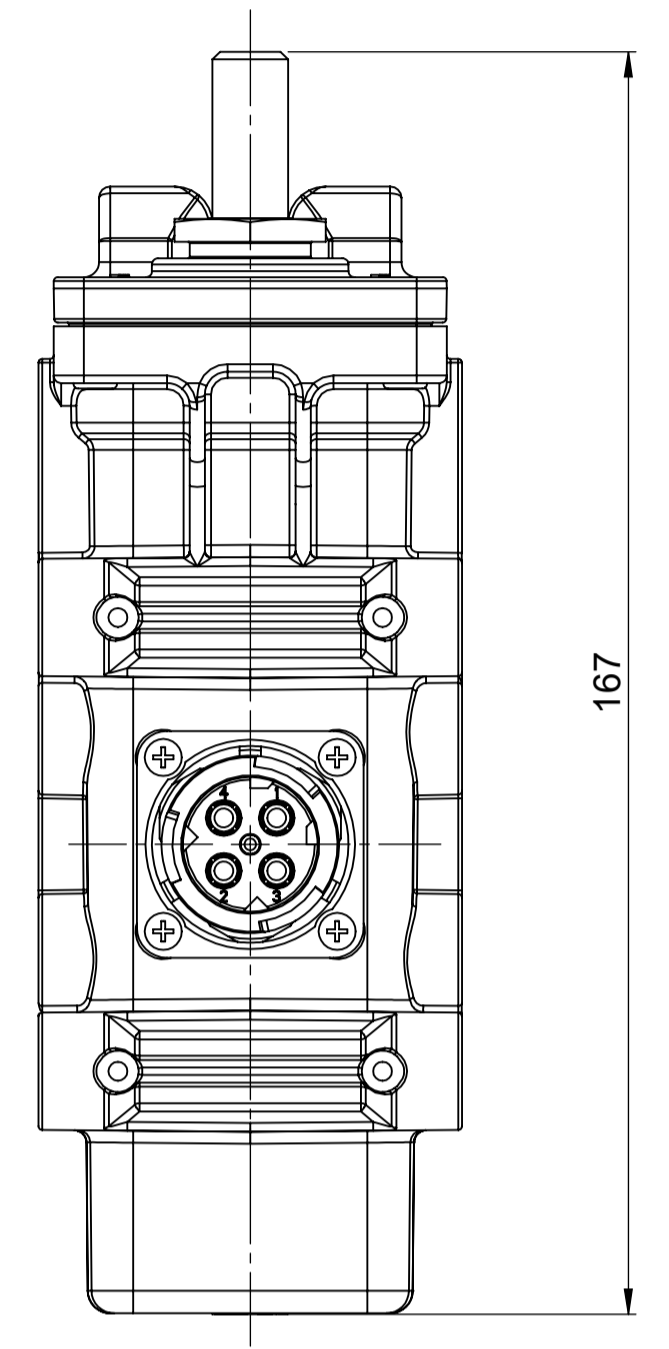
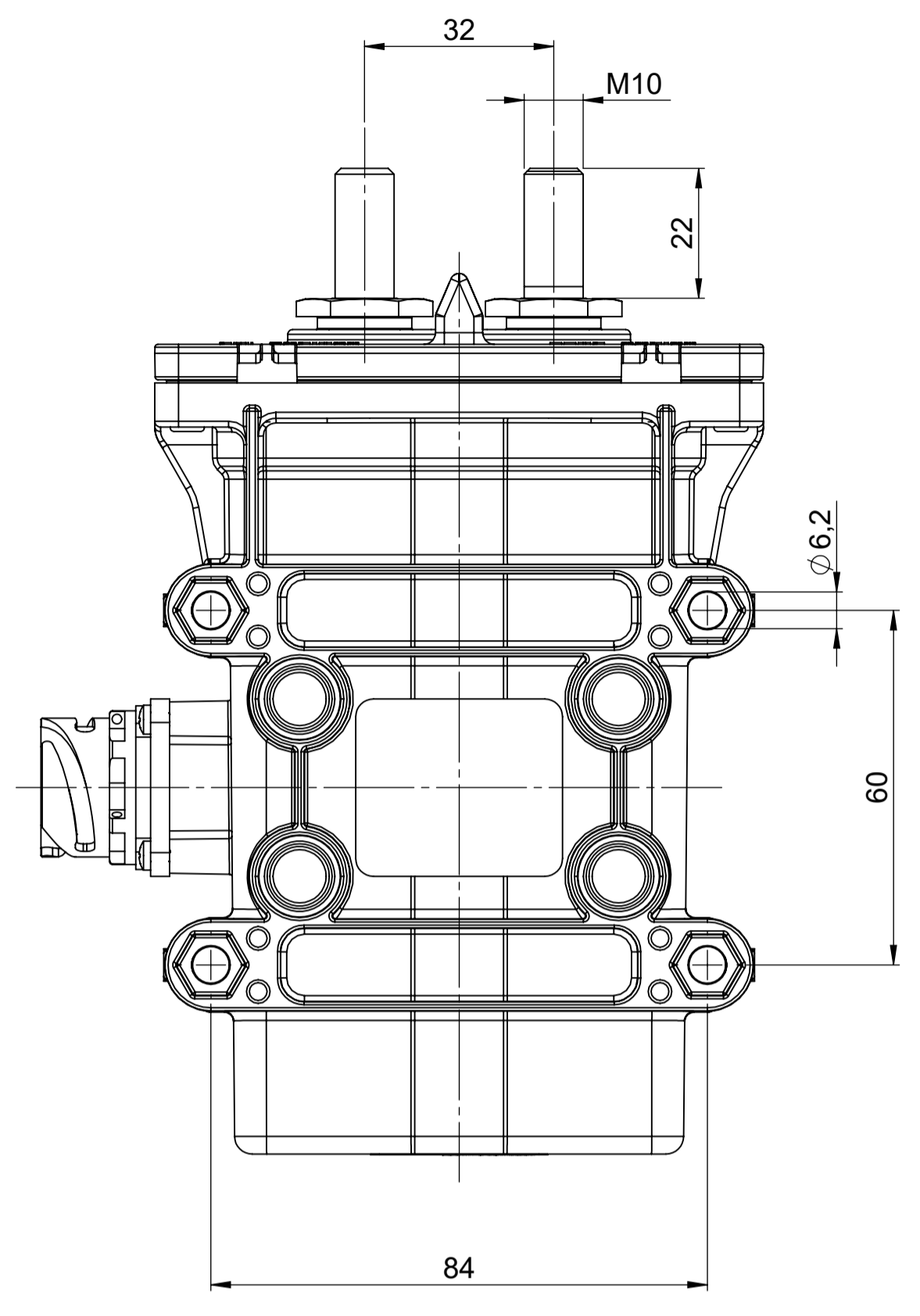
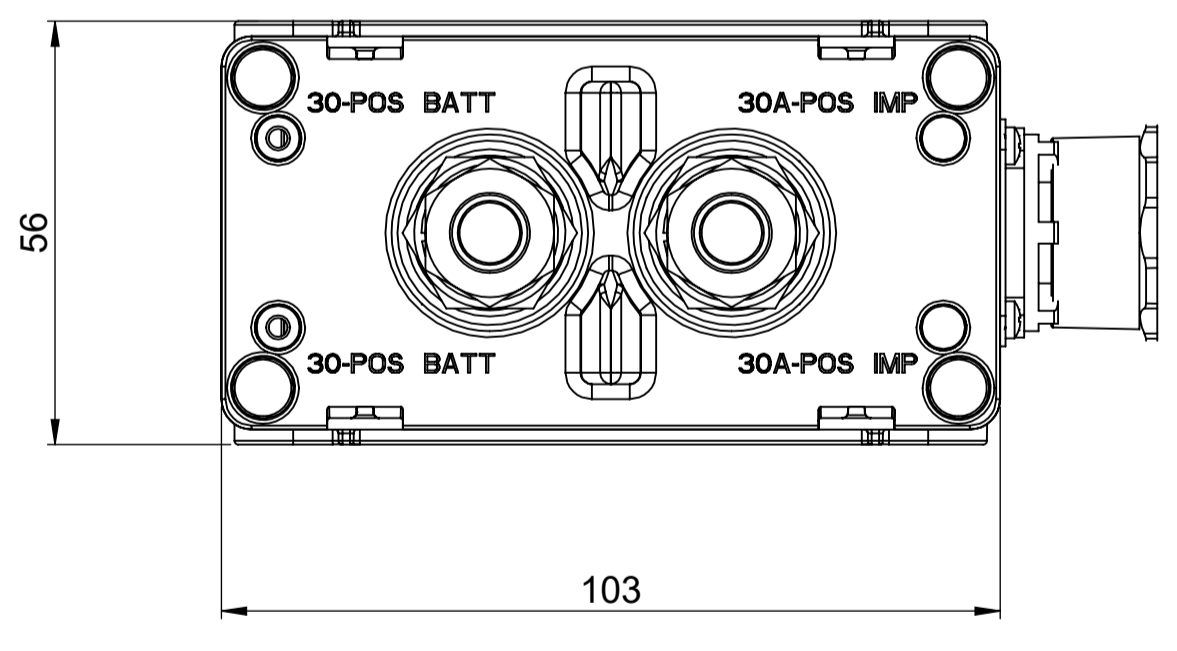
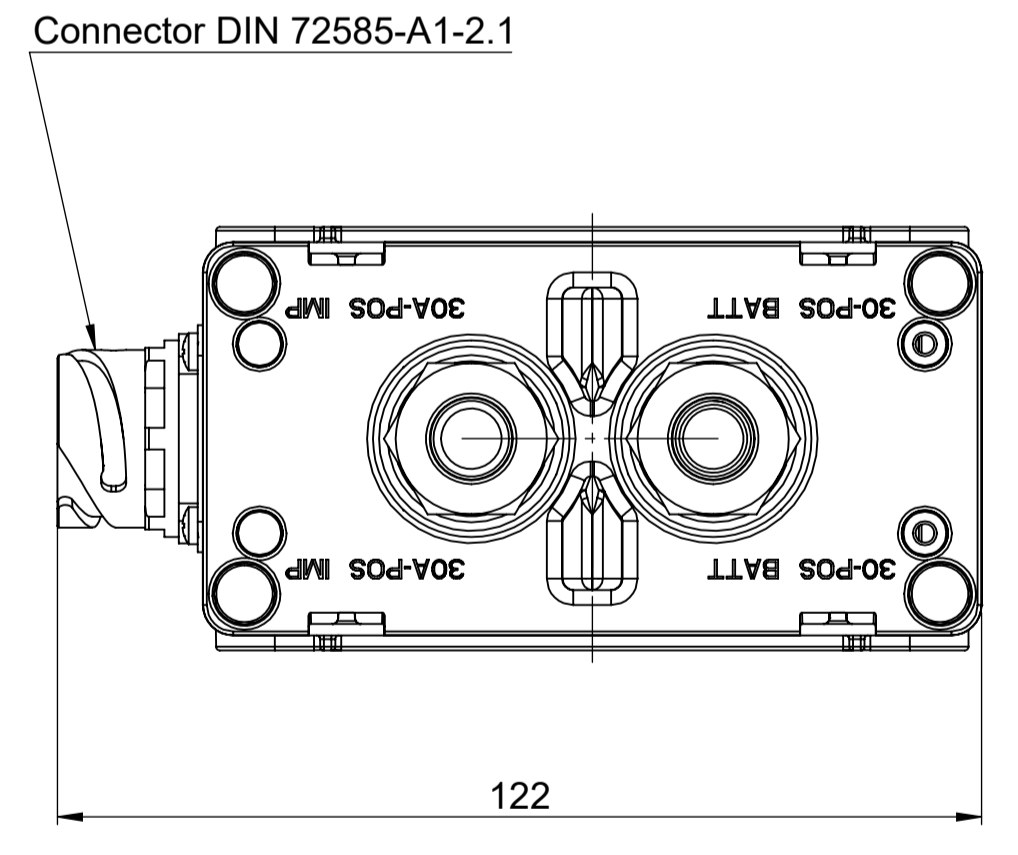


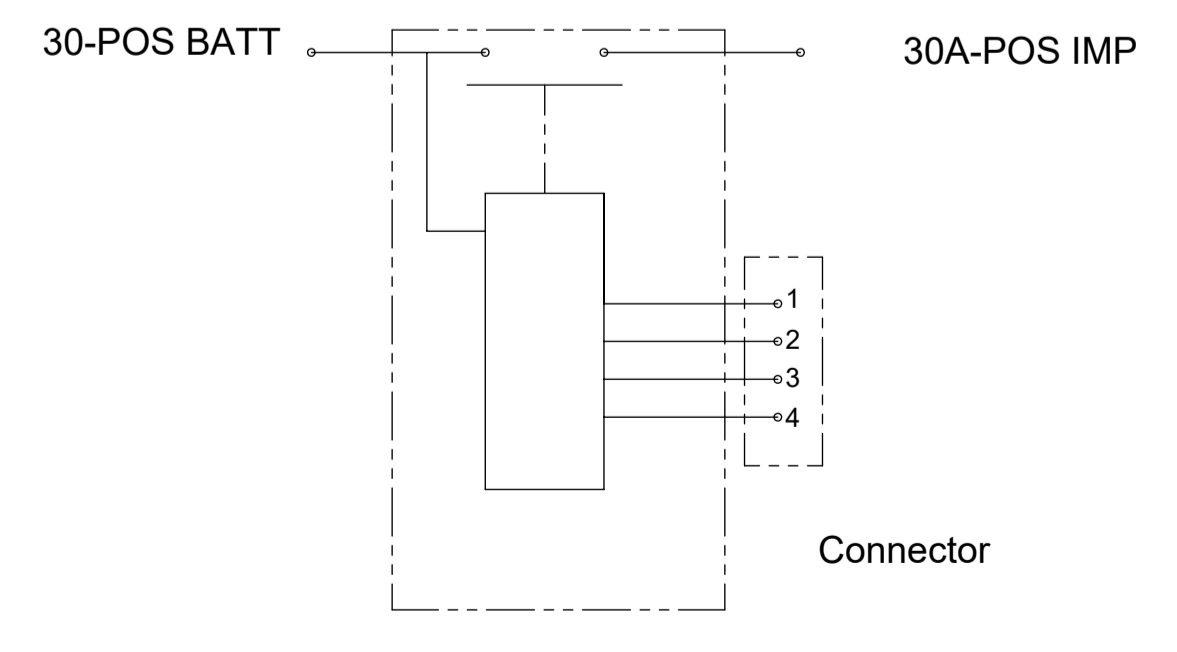
REV.	DESCRIPTION	DATE	DESIGNED	APPROVED
A	FIRST ISSUE OF OUTLINE DRAWING	12-June-20	Gasparini	Tinto



Marking showing:
 -Code IVECO
 -Code LITTELFUSE
 -Manufacturing date according to LITTELFUSE standard
 -Code IVECO
 -LITTELFUSE production progressive code



Electrical Diagram



Connector

- 1- Main command positive supply
- 2- Emergency opening command line (immediate)
- 3- Device ground
- 4- Main closing/opening command line

PRESCRIPTIONS

- Torque of screw M10/12= 18 ± 1 Nm
- Fix the device with M6 screw and with torque of 6 ± 2 Nm
- Nuts and bolts supplied on the kit LITTELFUSE code 10843650

CHARACTERISTICS

- Nominal working tension: 24V
- Nominal working current: 10A
- Nominal working current main contact: 250A
- Nominal max current main contact: 2000A for 5 sec
- Working temperature range: -40°C + 85°C
- Number of electrical and mechanical operations: 50.000
- Switch Control cabin ON-OFF - LITTELFUSE code 77100037
- External emergency switch - LITTELFUSE code 00227069

DIMENSIONS AND TOLERANCES IN MILLIMETERS, DEFINED ACCORDING TO ISO 1101-2017.						
linear dimensions						
0,5	>3	>6	>30	>120	>400	>1000
±0,2	±0,3	±0,5	±0,8	±1,2	±2	±3
angle (for range of lengths)						
up to 10	>10	>50	>120	>400	>1000	
	±1°30'	±1°	±0°30'	±0°15'		
● FIT/FUNCTION CRITICAL CHARACTERISTICS SYMBOL <S> SAFETY/ COMPLIANCE CRITICAL CHARACTERISTICS SYMBOL CPK DENOTES CPK DIMENSIONS MINIMUM CPK VALUE (ST) DENOTES A CHARACTERISTIC THAT PROVIDES AN INDICATION OF PROCESS PERFORMANCE PROCEDURE FOR MEASUREMENT AND TRACKING TO BE DEFINED IN LITTELFUSE INSPECTION INSTRUCTIONS CP DENOTES CP DIMENSIONS. MINIMUM CP VALUE MUST BE WITHIN THE DIMENSIONAL LIMITATIONS SHOWN ON DRAWING AND INITIALLY LOCATED TO ALLOW FOR MAXIMUM TOOL LIFE						
DRAWN		NAME		DATE		Expertise Applied Answers Delivered
CHECKED						
FORM NO. CDP-RES-2013 REV. A				TITLE		Electrical BDS SCALE 1:1
FIRST ANGLE PROJECTION						
DO NOT SCALE DRAWING		SIZE: A1		DWG. NO. OL-08075100		SHEET 1 OF 1

SAP drawing number:
 Material and treatments: