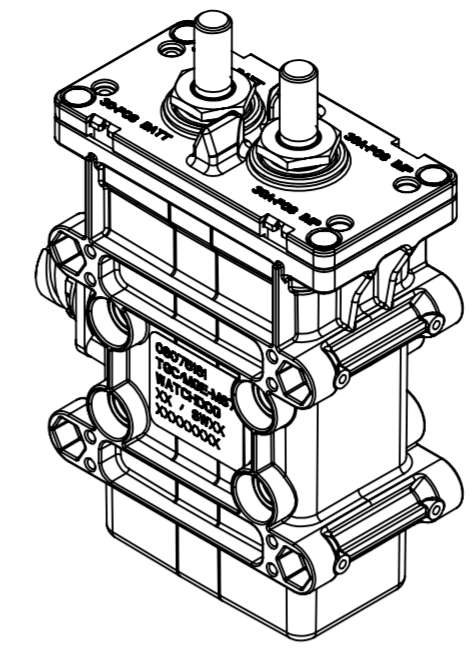
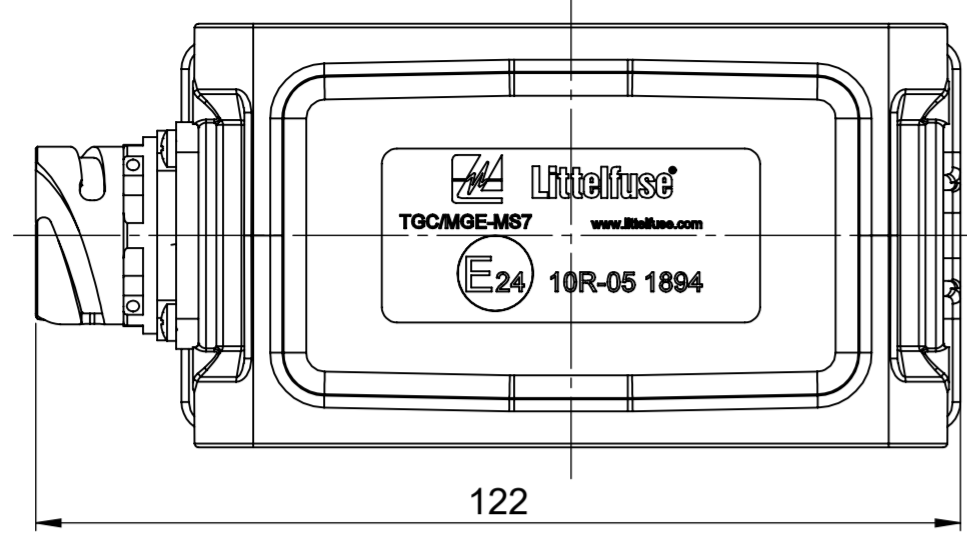
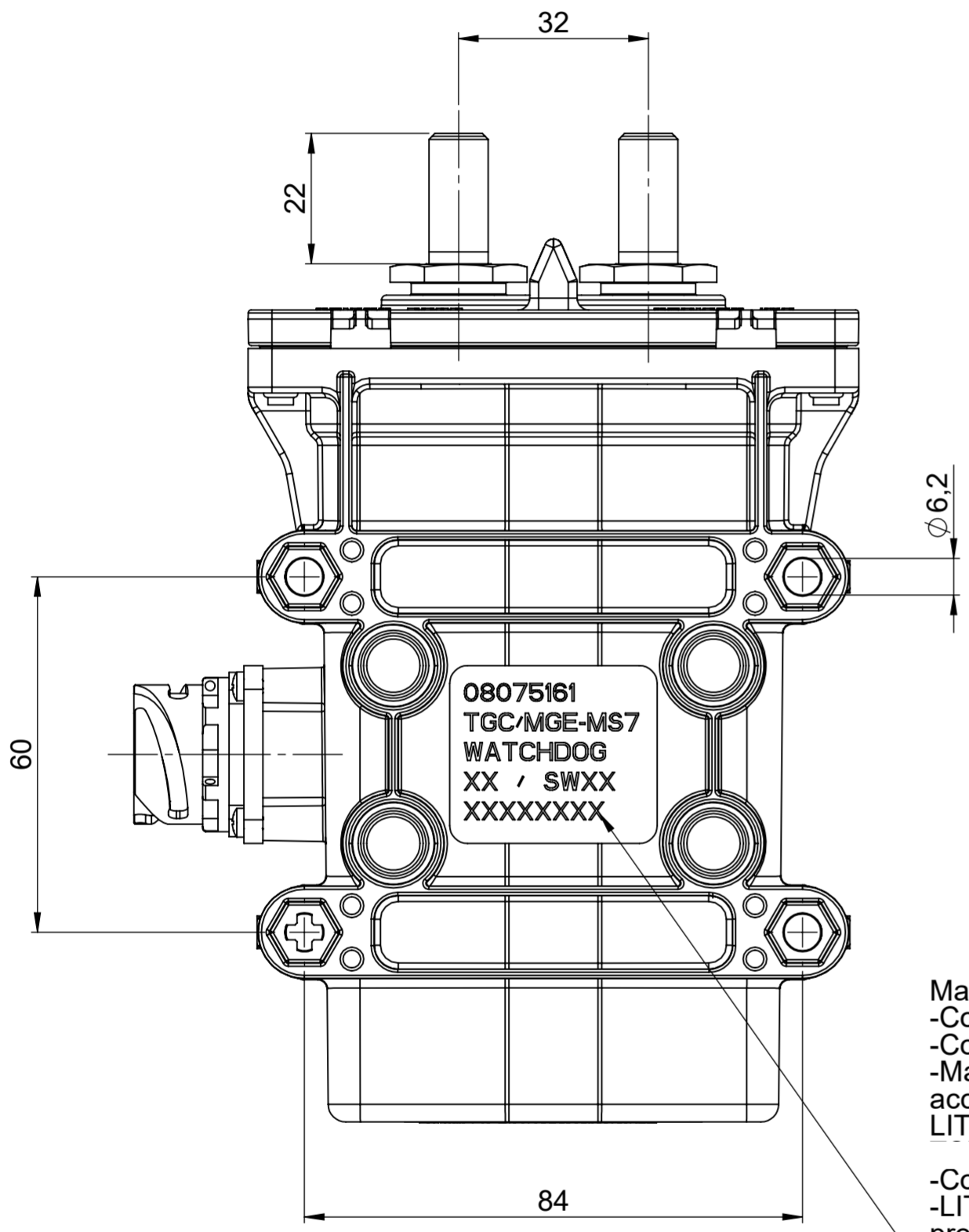


THIS DRAWING AND THE INFORMATION CONTAINED WITHIN IT ARE CONFIDENTIAL AND MAY NOT BE COPIED OR DISCLOSED WITHOUT THE WRITTEN PERMISSION OF LITTELFUSE.

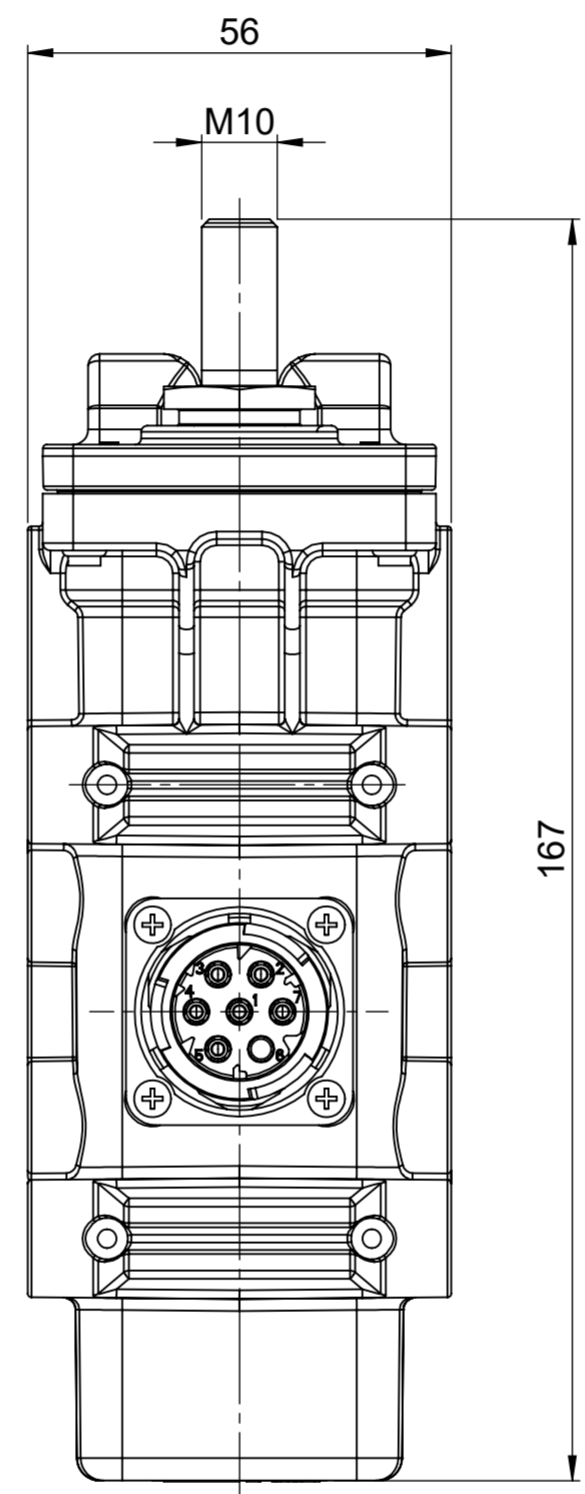
REVISIONS		DATE	DESIGNED	APPROVED
REV.	DESCRIPTION			
A	FIRST ISSUE OF OUTLINE DRAWING	15-June-20	Gasparini	Tinto



Scale 1:2



Markinh showing:
 -Code IVECO
 -Code LITTELFUSE
 -Manufacturing date according to LITTELFUSE standard
 -Code IVECO
 -LITTELFUSE production progressive code



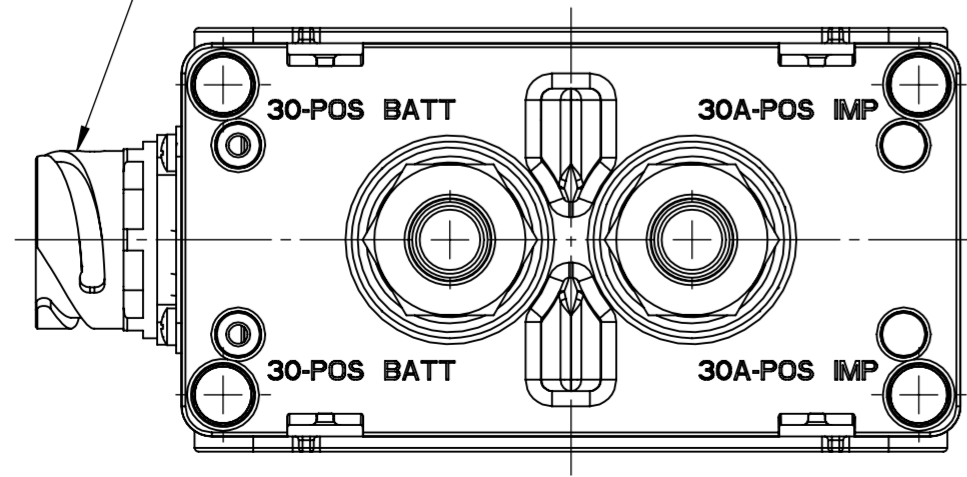
PRESCRIPTIONS:

- Torque of screw M10= 19Nm max
- Fix the device with M6 screws and with torque of 6 ± 2 Nm
- Nuts and bolts supplied on the kit LITTELFUSE code 10844041

CHARACTERISTICS:

- Nominal working tension: 11 - 28.5 V
- Nominal working current: 10A
- Nominal working current main contacts: 500 A (1h at 23°C)
- Nominal max current main contact: 2000A for 5 sec
- External emergency switch - LITTELFUSE code 00227000

Connector DIN 72585-A1-7 ways



SAP drawing number:

Material and treatments:

DIMENSIONS AND TOLERANCES IN MILLIMETERS, DEFINED ACCORDING TO ISO 1101-2017.						
linear dimensions						
0,5	>3	>6	>30	>120	>400	>1000
3	6	30	120	400	1000	2000
±0,2	±0,3	±0,5	±0,8	±1,2	±2	±3
angle (for range of lengths)						
up to	>10	>50	>120	>400	>1200	>2000
10	50	120	400	1000	2000	
±1°30'	±1°	±0°30'	±0°15'			
●	FIT/ FUNCTION CRITICAL CHARACTERISTICS SYMBOL					
<S>	SAFETY/ COMPLIANCE CRITICAL CHARACTERISTICS SYMBOL					
CPK	DENOTES CPK DIMENSIONS MINIMUM CPK VALUE					
ST	DENOTES A CHARACTERISTIC THAT PROVIDES AN INDICATION OF PROCESS PERFORMANCE. PROCEDURE FOR MEASUREMENT AND TRACKING TO BE DEFINED IN LITTELFUSE INSPECTION INSTRUCTIONS					
CP	DENOTES CP DIMENSIONS. MINIMUM CP VALUE MUST BE WITHIN THE DIMENSIONAL LIMITATIONS SHOWN ON DRAWING AND INITIALLY LOCATED TO ALLOW FOR MAXIMUM TOOL LIFE					
DRAWN		NAME		DATE		
CHECKED		L. Dal Molin		07/05/2019		
FORM NO. CVP-PE40-0013 REV A		Littelfuse		Expertise Applied Answers Delivered		
FIRST ANGLE PROJECTION		TITLE		Electrical BDS		
DO NOT SCALE DRAWING		SCALE 1:1		SIZE: A2		DWG. NO. OL-08075161
				OUTLINE REV. A		SHEET 1 OF 1