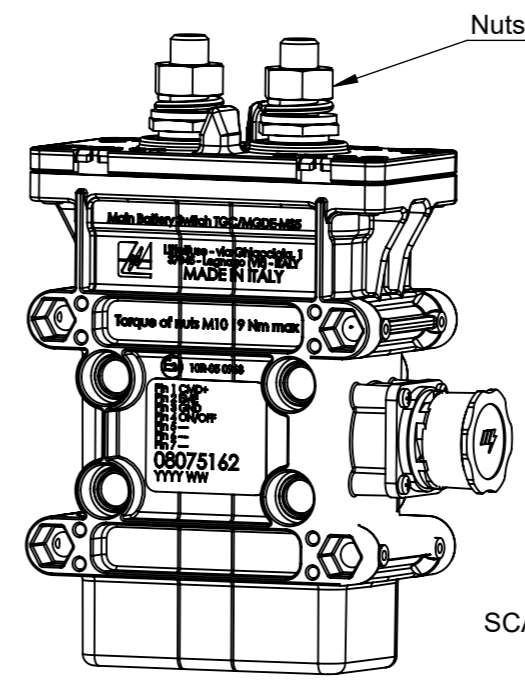
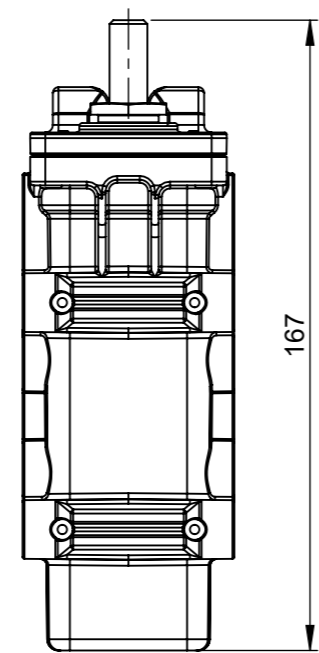
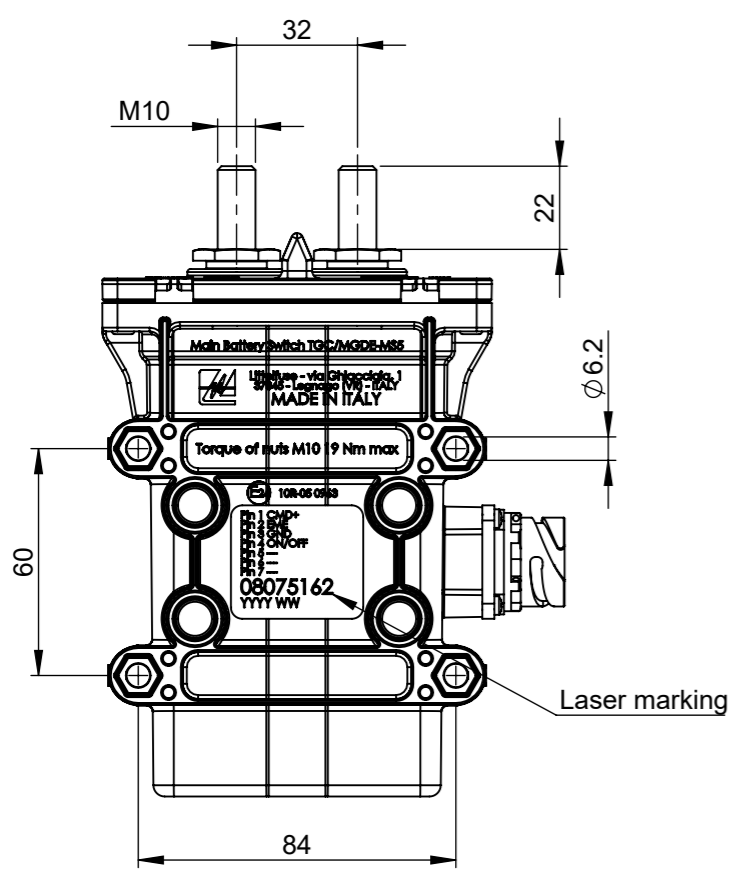


THIS DRAWING AND THE INFORMATION CONTAINED WITHIN IT ARE CONFIDENTIAL AND MAY NOT BE COPIED OR DISCLOSED WITHOUT THE WRITTEN PERMISSION OF LITTELFUSE.

REVISIONS					
REV.	DESCRIPTION	DATE	GCF / ECR	DESIGNED	APPROVED
A	Initial release	13-Jul-22		L.Dal Molin	M.Tinto



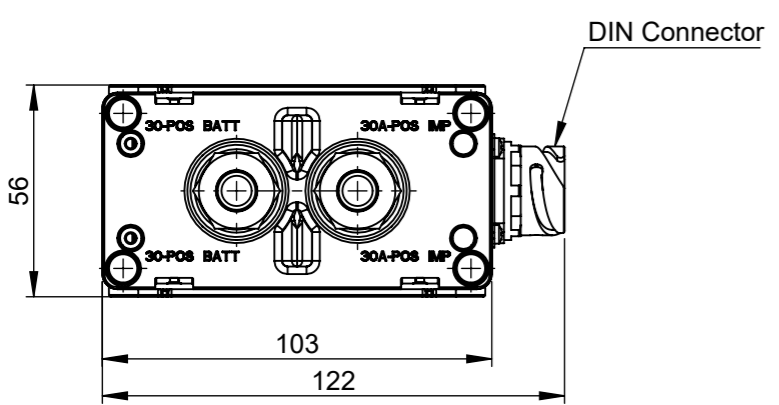
SCALE 1:2

PRESCRIPTIONS

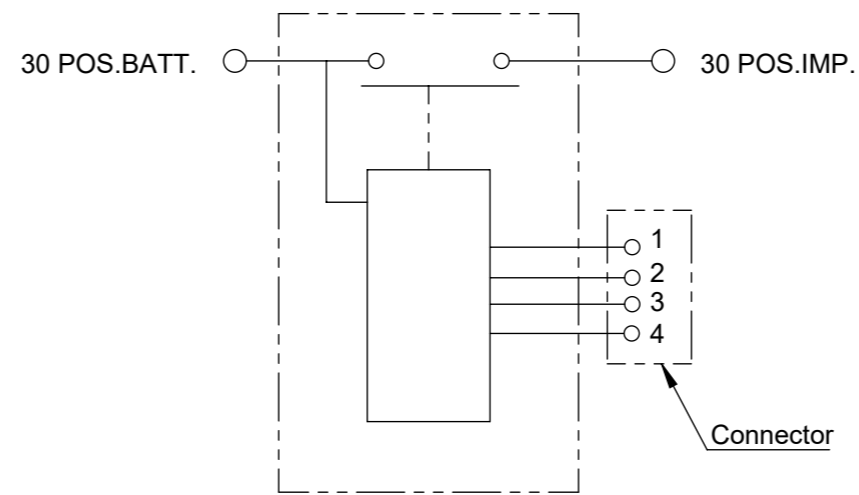
- Torque of screw M10= 19 Nm max
- Fix the device with M6 screw and with torque of 6 ± 2 Nm

CHARACTERISTICS

- Nominal working tension: 28.5V
- Nominal working current: 10A
- Nominal working current main contact: 250A
- Nominal max current main contact: 2000A for 5 sec.



ELECTRICAL DIAGRAM



DIMENSIONS AND TOLERANCES IN MILLIMETERS, DEFINED ACCORDING TO ISO 1101-2017.

linear dimensions						
0,5	>3	>6	>30	>120	>400	>1000
3	6	30	120	400	1000	2000
±0,2	±0,3	±0,5	±0,8	±1,2	±2	±3
angle (for range of lengths)						
up to 10	>10	>50	>120	>400		
±1°30'	±1°	±0°30'	±0°15'			

●	FIT/ FUNCTION CRITICAL CHARACTERISTICS SYMBOL
<S>	SAFETY/ COMPLIANCE CRITICAL CHARACTERISTICS SYMBOL
CPK	DENOTES CPK DIMENSIONS MINIMUM CPK VALUE
ST	DENOTES A CHARACTERISTIC THAT PROVIDES AN INDICATION OF PROCESS PERFORMANCE. PROCEDURE FOR MEASUREMENT AND TRACKING TO BE DEFINED IN LITTELFUSE INSPECTION INSTRUCTIONS
CP	DENOTES CP DIMENSIONS, -MINIMUM CP VALUE MUST BE WITHIN THE DIMENSIONAL LIMITATIONS SHOWN ON DRAWING AND INITIALLY LOCATED TO ALLOW FOR MAXIMUM TOOL LIFE

	NAME	DATE	 Expertise Applied Answers Delivered		
DRAWN	L. Dal Molin	08-May-19			
CHECKED	-	-	TITLE TGC/MG-MS5 T 3' KIT ISUZU		
	-	-			
FORM NO: CVP-PE40-0013 REV A			SIZE: A3	DWG. NO. OL-08075162	OUTLINE REV. A
FIRST ANGLE PROJECTION			SCALE 1:2	SHEET 1 OF 1	