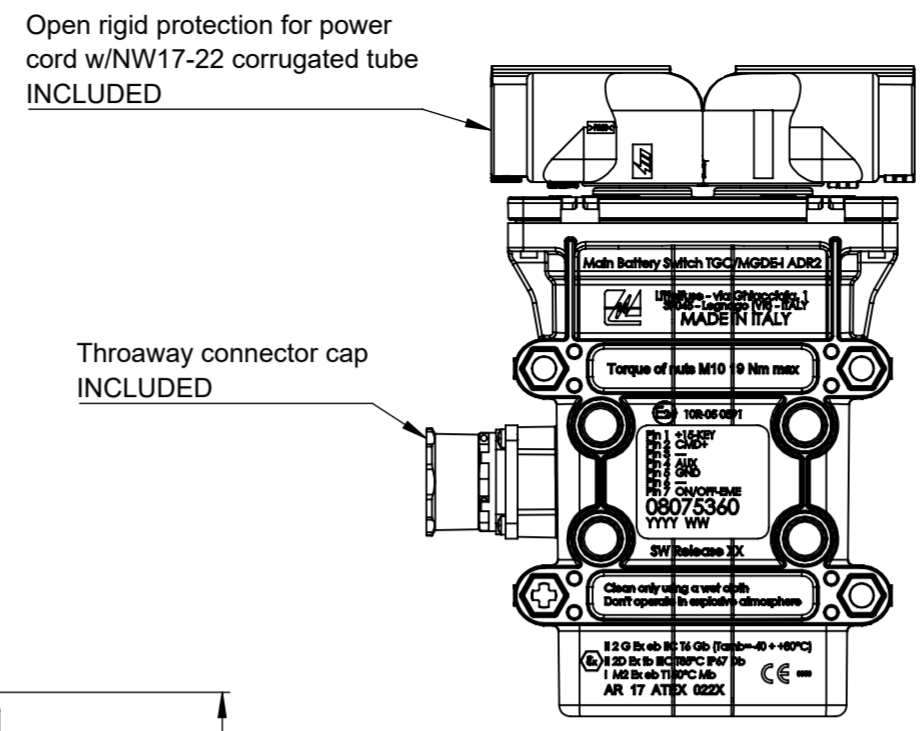
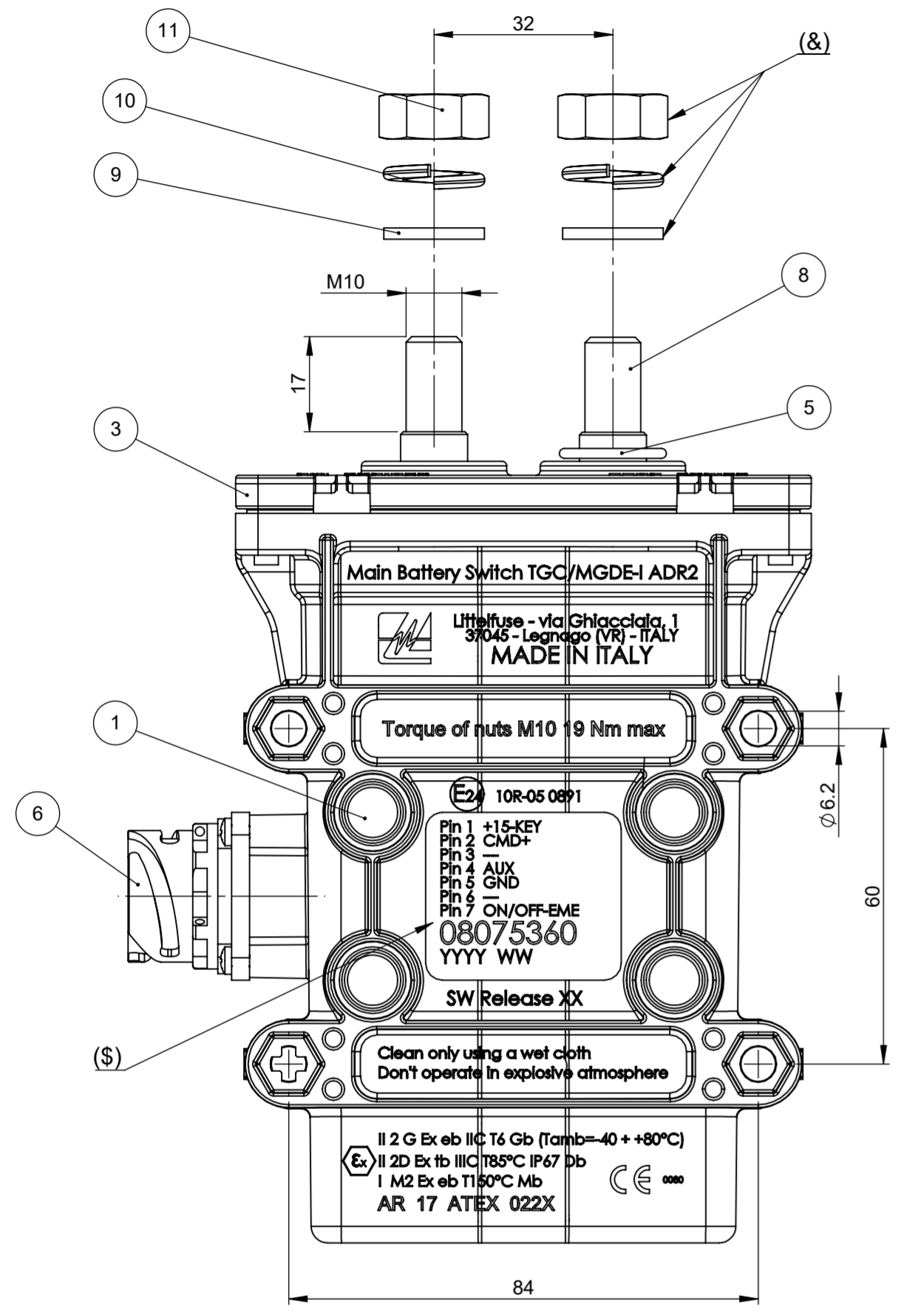
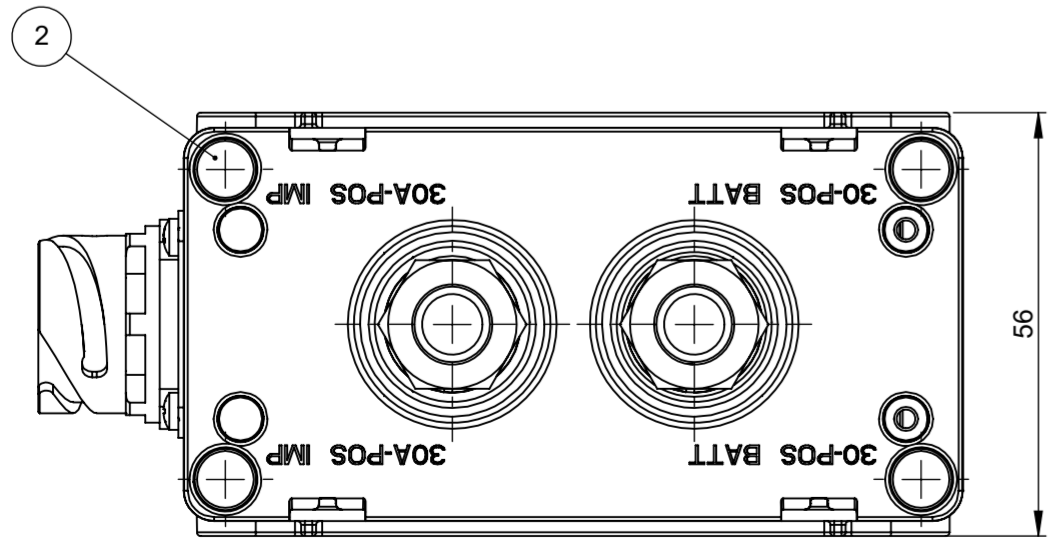
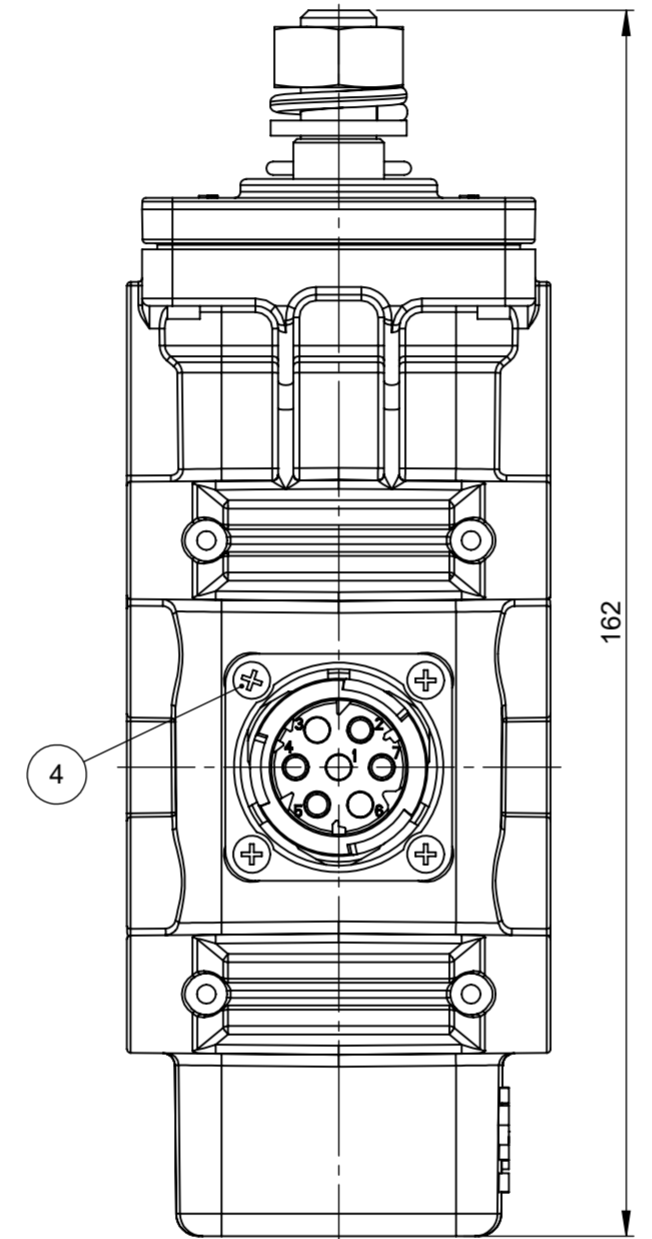


THIS DRAWING AND THE INFORMATION CONTAINED WITHIN IT ARE CONFIDENTIAL AND MAY NOT BE COPIED OR DISCLOSED WITHOUT THE WRITTEN PERMISSION OF LITTELFUSE.

REVISIONS				
REV.	DESCRIPTION	DATE	DESIGNED	APPROVED
A	First issue of outline drawing	19-Jun-20	L.Dal Molin	M.Tinto
B	Changed laser marking layout on box	04-Aug-20	L.Dal Molin	M.Tinto



SCALE 1:2



DOCUMENTO CORRELATO AL CERTIFICATO:
DOCUMENT CORRELATED TO THE CERTIFICATE:

AR 17 ATEX 022X

Non sono ammesse modifiche senza l'approvazione della "Persona Autorizzata".
No modify is allowed without the "Authorized Person" approval.

PRESCRIPTION

- Torque of screw M10= 19Nm MAX
- Fix the device with M6 screw and with torque of 6 ± 2 Nm
- (&) Provided in the kit
- (\$) p/N of product

CHARACTERISTICS

- Nominal voltage: 12V or 24V
- Working current main contact: 250A
- Max current main contact: 2000A for 5 sec

SAP drawing number:

Material and treatments:

POS.	DESCRIPTION	MATERIAL	Q.TY	U/M
11	Nut M10	Brass	2	EA
10	Spring washer	Bronze	2	EA
9	Plain washer 10.2x18x2	Brass	2	EA
8	Power stud M10 short	Copper	2	EA
7	Fixing nut for screw	Copper	2	EA
6	Body connector	PBT	1	EA
5	OR ring	Silicon	1	EA
4	Self-tapping screw TCCIC 3x12	Steel	4	EA
3	Top cover	Thermosetting	1	EA
2	Rivet box TGC	Steel	4	EA
1	Box short connector screws	PBT	1	EA
	DESCRIPTION	MATERIAL	Q.TY	U/M

NAME		DATE
DRAWN	L. Dal Molin	12-Jun-20
CHECKED	-	-
 Expertise Applied Answers Delivered		
FORM NO.: CVP-PE40-0013 REV A		
FIRST ANGLE PROJECTION		
SIZE:	DWG. NO.	OUTLINE REV.
A2	OL-08075360	B
DO NOT SCALE DRAWING		SHEET 1 OF 1