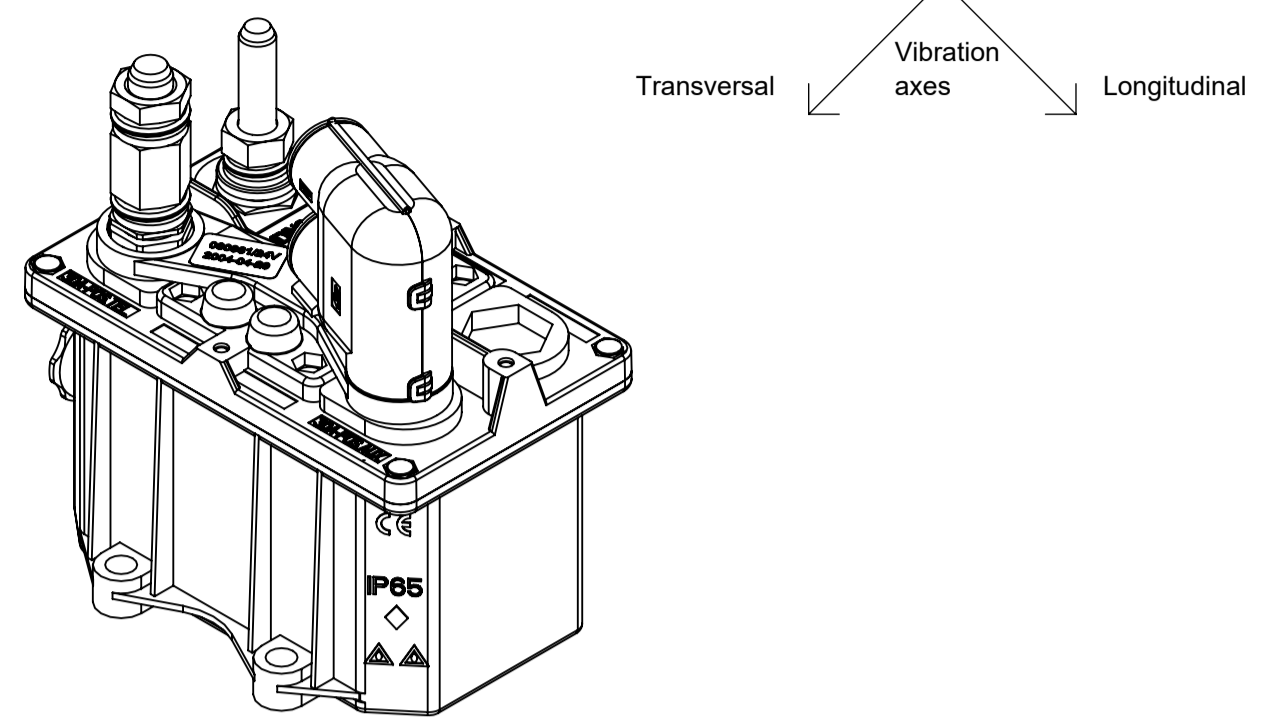
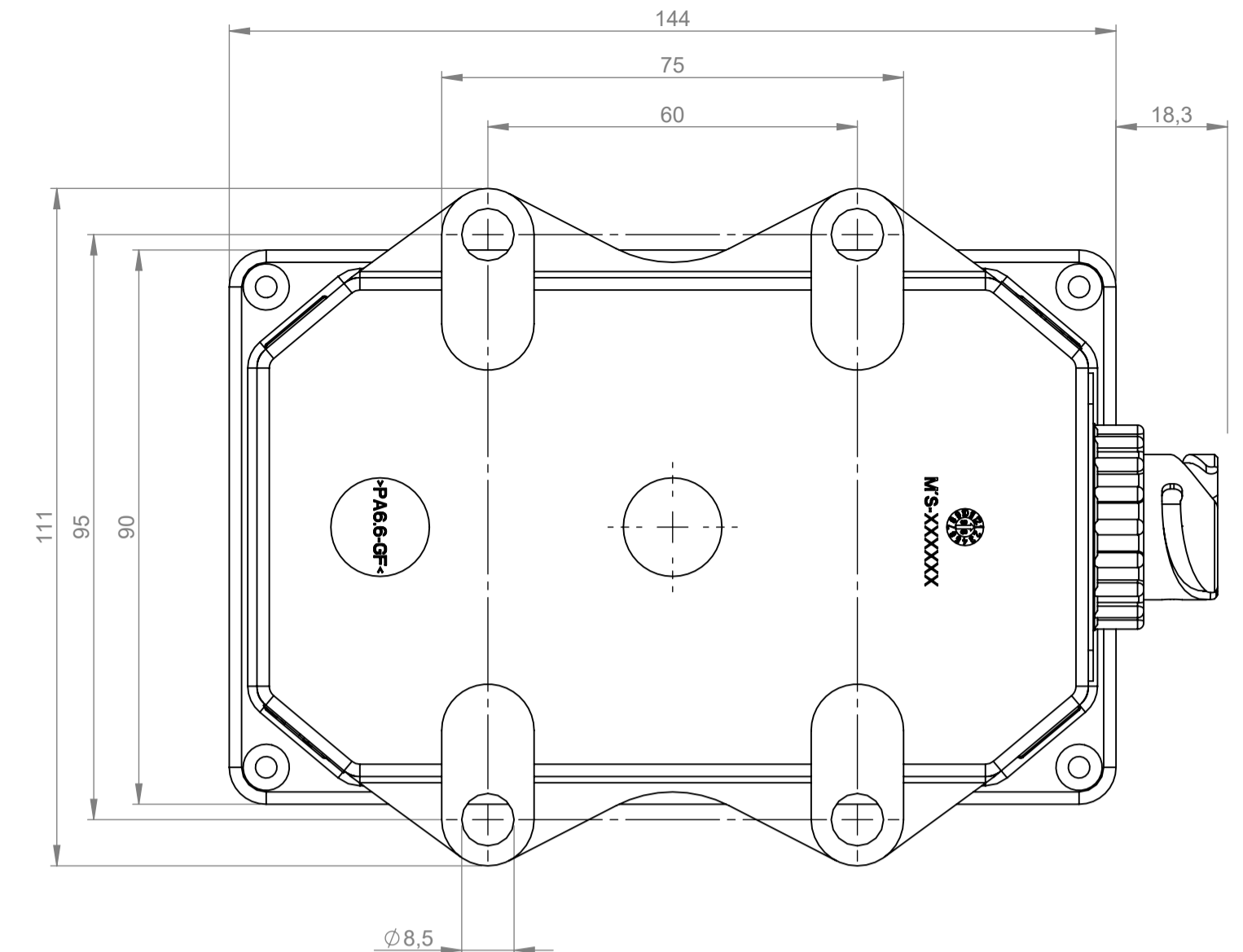
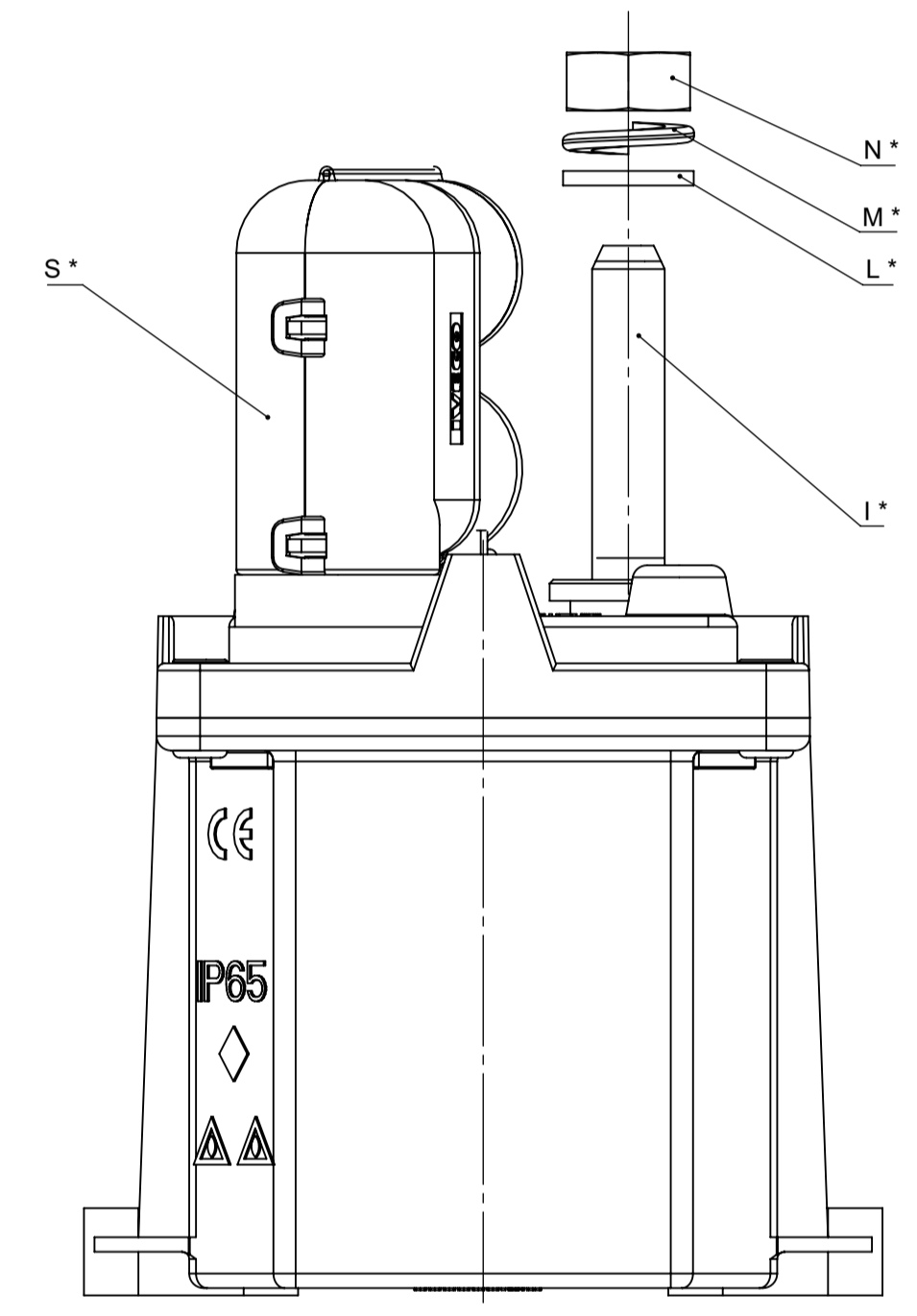
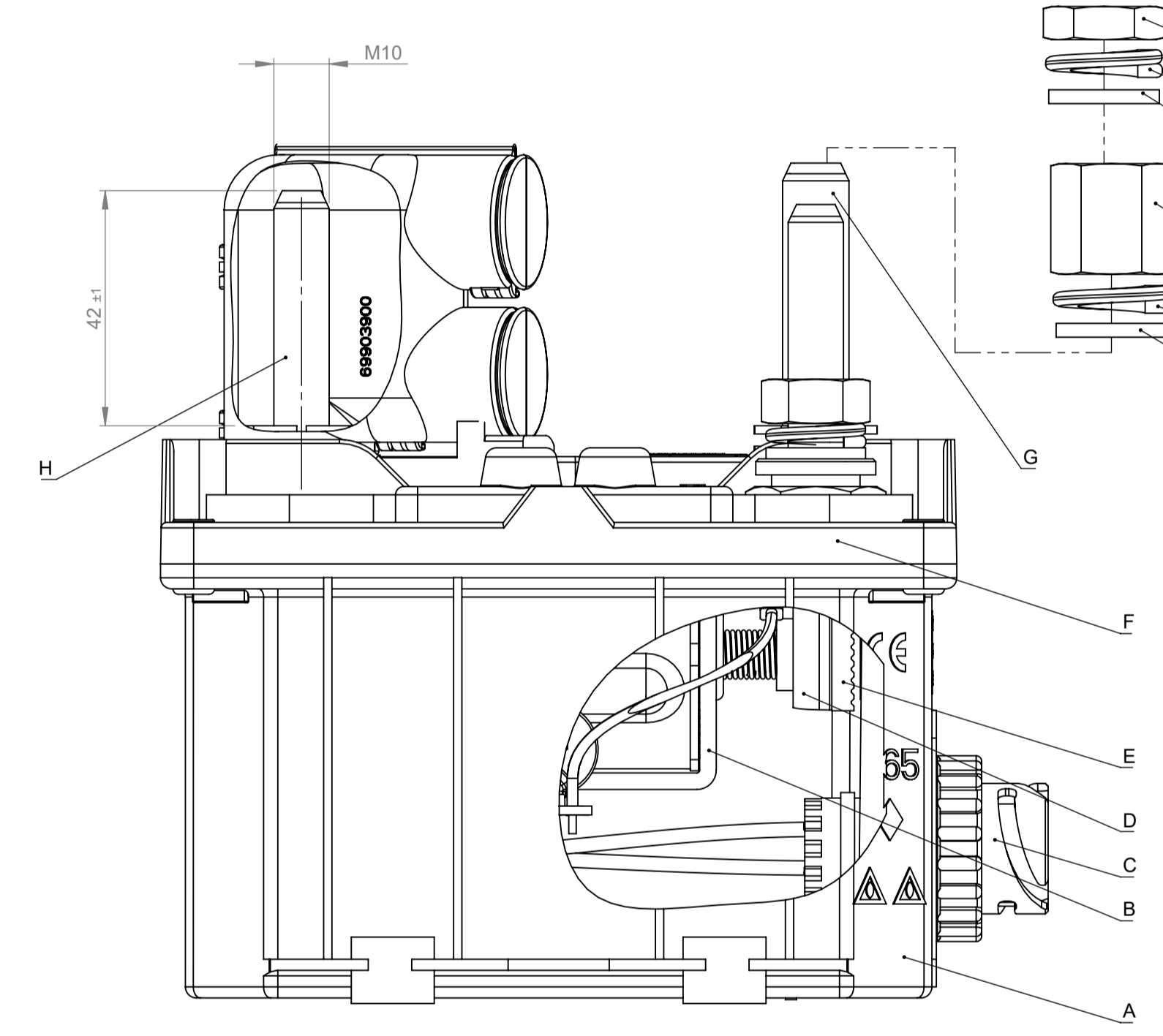
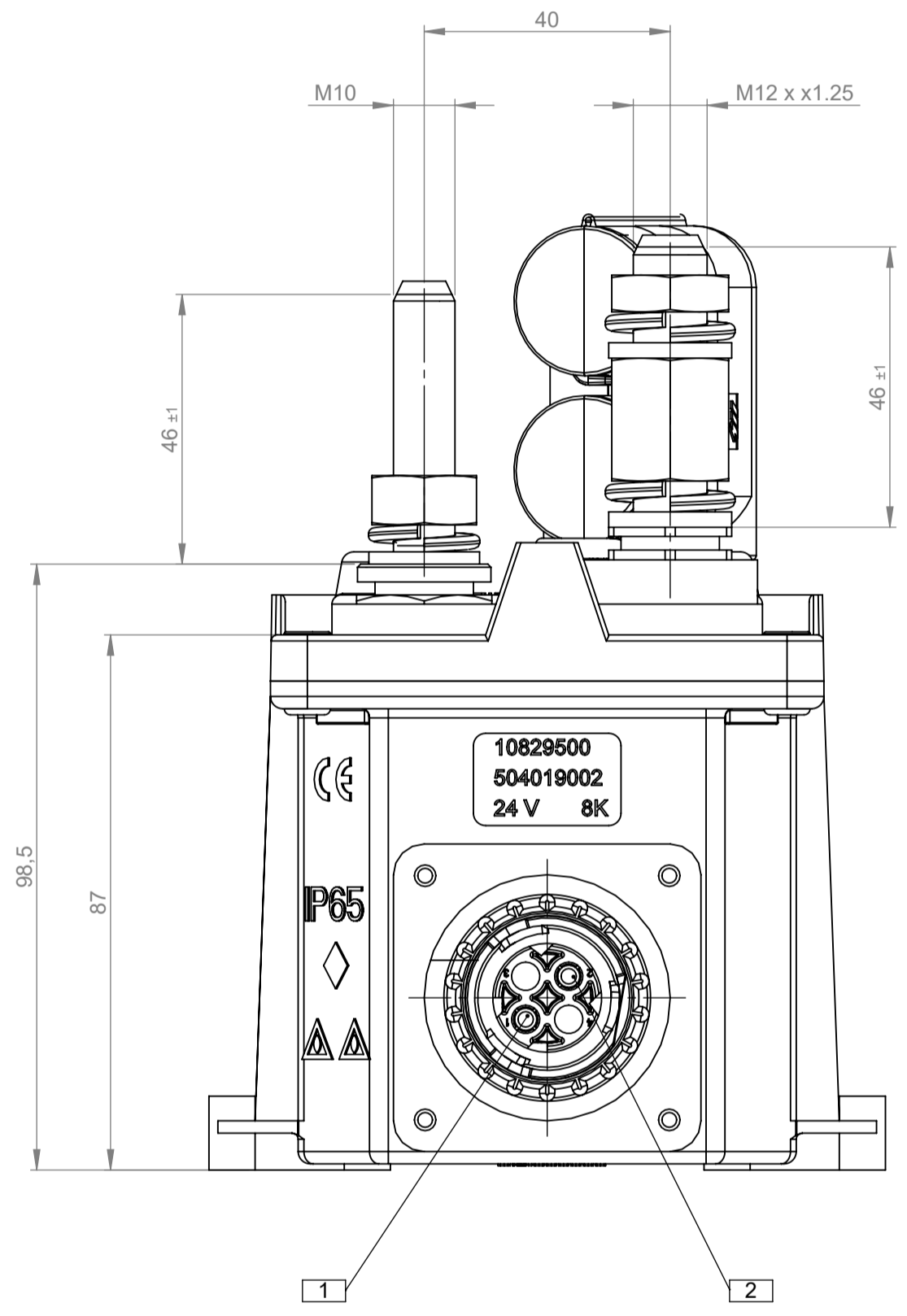


THIS DRAWING AND THE INFORMATION CONTAINED WITHIN IT ARE CONFIDENTIAL AND MAY NOT BE COPIED OR DISCLOSED WITHOUT THE WRITTEN PERMISSION OF LITTELFUSE.

REVISIONS				
REV.	DESCRIPTION	DATE	DESIGNED	APPROVED
A	FIRST ISSUE OF OUTLINE DRAWING	24-June -2020	Gasparini	Tinto



- LEGEND**
- A) Box PA 6.6 black thermoplastic material
 - B) Electrical BDS
 - C) 2/4 port male connector Ref. AMP 1-967402-3 to interface with 2/4 way female port connector Ref. IVECO 99466091 EZ with seat suitable for receiving cylindrical female ends Ref. IVECO 99467743 complete with grommet Ref. IVECO 99467459
 - D) Silver mobile contact
 - E) Fixed contacts in copper
 - F) BMC thermoset material contact base loaded black glass
 - G) Long M12 x 1.25 brass contact screw with tin treatment
 - H) M10 long brass contact screw with tin treatment
 - I) M10 long brass contact screw with tin treatment
 - L) Brass M10 flat washer ref. drawing 17095140
 - M) Split elastic rosette M10 in phosphor bronze ref. drawing 17494960
 - N) M10 brass tightening nut ref. drawing 500314129EZ CH17
 - O) Clamping nut M12 x 1.25 x 6 in CH19 brass
 - P) M12 split rosette in phosphorous bronze ref. drawing 17495060
 - Q) Brass M12 flat washer ref. drawing 17095240
 - R) Clamping nut M12 x 1.25 x 20 made of brass CH19
 - S) Closed cap bolt for pipe NW17 drawing 4123552 thermoplastic material PA66 black ref. drawing 504032864
 - T) External bridge in copper covered with PA66 thermoplastic
 - V) Open gully protection for NW22 pipe drawing 41023553 closed for NW13 pipe drawing 40123151 thermoplastic material PA66 black ref. drawing 504037102 in quantity 2
 - X) Closing rivets for stainless steel cover X5CrNiMo 17-12-2 according to the UNI EN 10088-3 standard



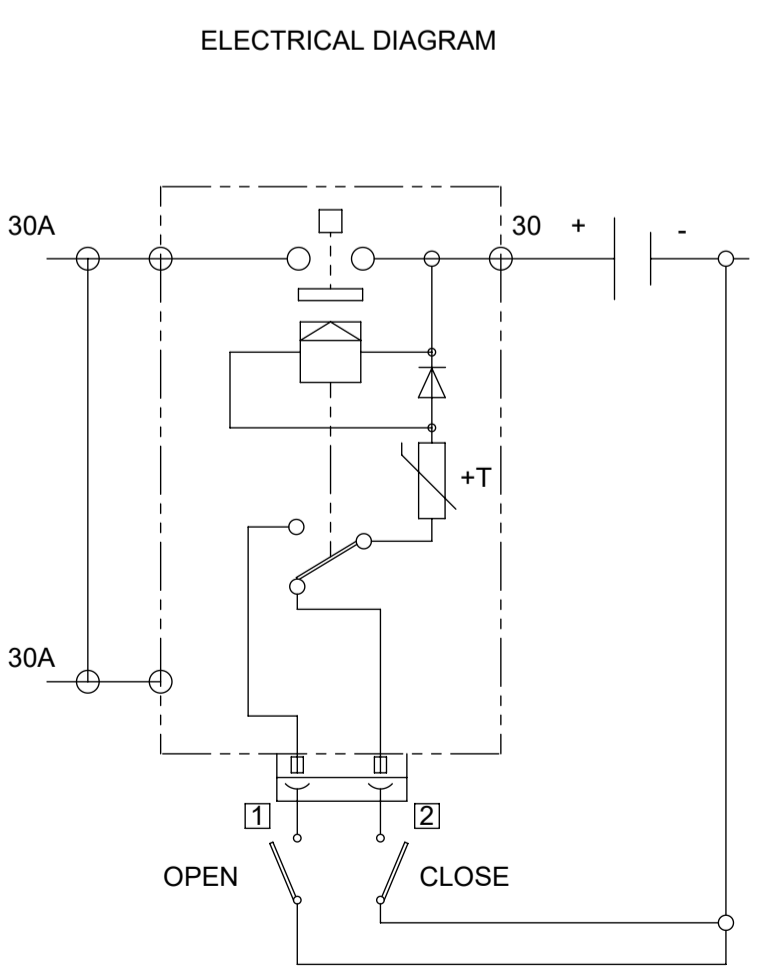
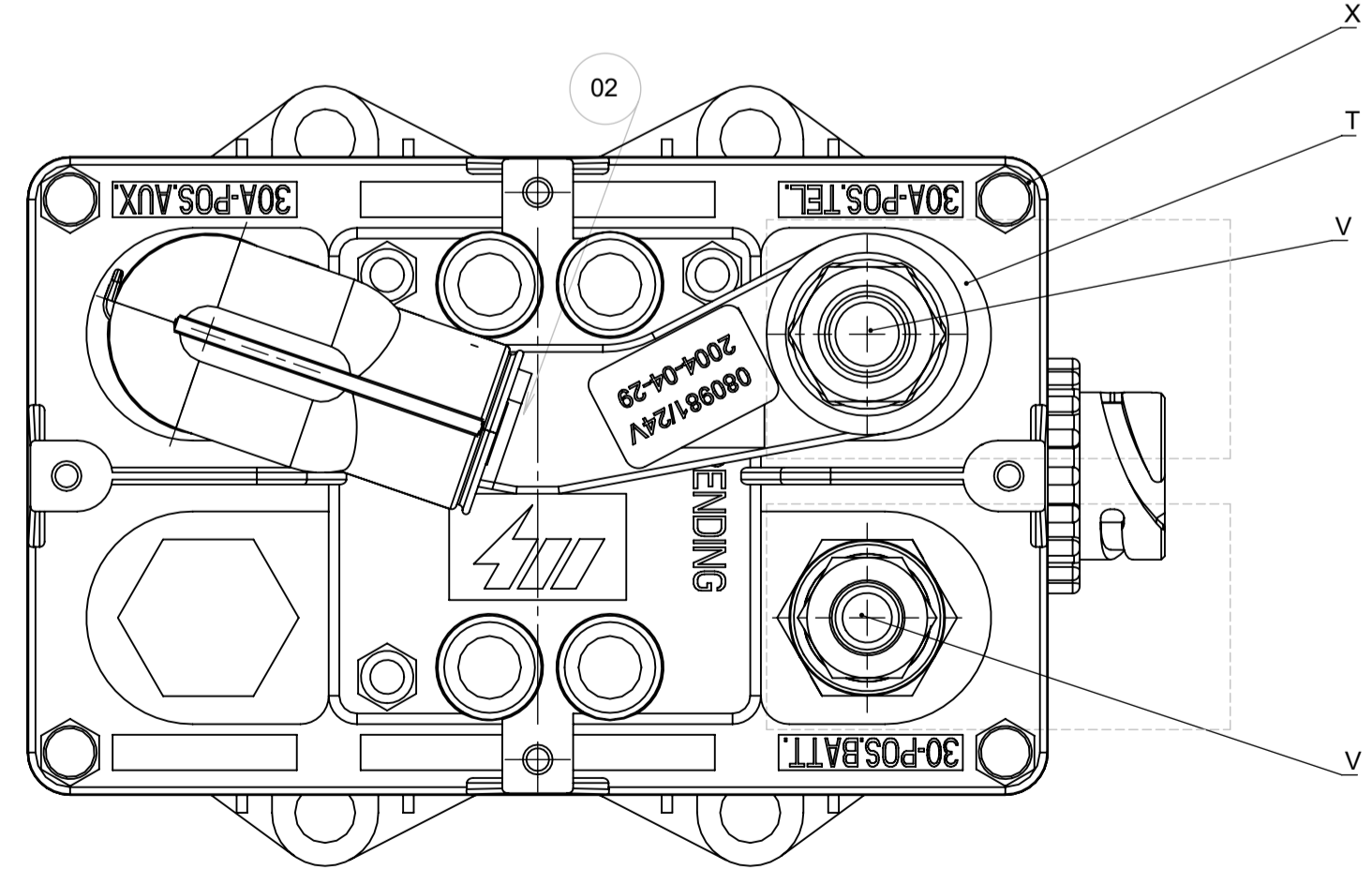
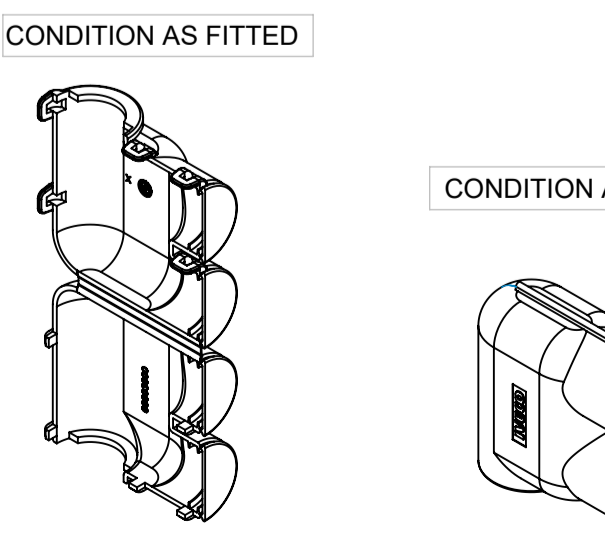
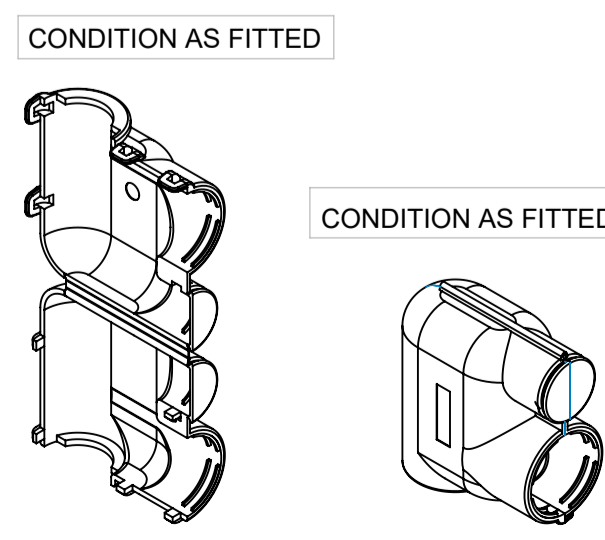
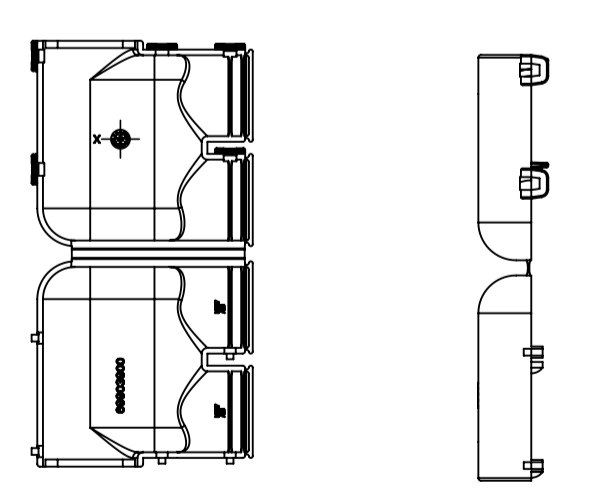
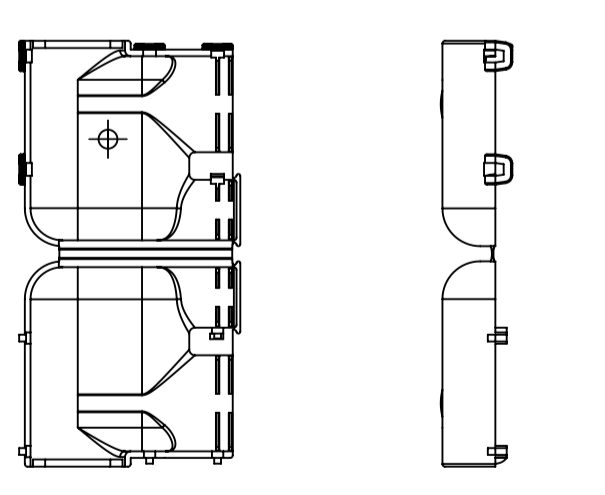
- PRESCRIPTIONS**
- The remote control switch must bear the name or initials of the supplier, the code and the rated voltage of the device, date of manufacturing
 - Tightening torque of M10 nuts: 22±/-1 Nm
 - Tightening torque of M12 x 1.25 nuts: 22±/-1 Nm
 - It is recommended to fix the device to the structure using M8 UNI 5931/1984 screws and 8.4 x 17 UNI 6592/1969 flat washer rosette with tightening torque 10 ± 2 Nm
 - The device must bear the marking for the recycling of plastic materials according to IVECO standard

- PRESCRIPTIONS**
- Nominal working tension: 24V
 - Coil absorption: 4.7 A
 - Insulation resistance: Mohm
 - Vibrations resistance: frequency 5-50 Hz
 - Acceleration:
 - Longitudinal: 70 m/s²
 - Transversal: 70 m/s²
 - Vertical: 95 m/s²

* Details provided in the kit
 Supplier: LITTELFUSE code 08091761 / 10829500

Double-sided protection Ref. V - Scale 1: 2

Double-sided protection Ref. S - Scale 1: 2



ALL PROPRIETARY RIGHTS RESERVED BY FIAT-VEIC.IND. S.P.A.-THIS DEAWING SHALL NOT BE REPRODUCED, OR IN ANY WAY UTILIZED, FOR THE MANUFACTURE OF THE COMPONENT OR UNIT HERE IN ILLUSTRATED AND MUST NOT BE RELEASED TO OTHER PARTIES, WITHOUT WRITTEN CONSENT. ANY INFRINGEMENT WILL BE LEGALLY PURSUED.

SAP drawing number:
 Material and treatments:

DIMENSIONS AND TOLERANCES IN MILLIMETERS, DEFINED ACCORDING TO ISO 1101:2017.				
linear dimensions				
0,5	>3	>6	>30	>120
±0,2	±0,3	±0,5	±0,8	±1,2
angle (for range of lengths)				
up to 10	>10	>30	>120	>1000
±1°30'	±1°	±0°30'	±0°15'	±0°15'
CPK DENOTES CPK DIMENSIONS MINIMUM CPK VALUE (ST) DENOTES A CHARACTERISTIC THAT PROVIDES AN INDICATION OF PROCESS PERFORMANCE PROCEDURE FOR MEASUREMENT AND TRACKING TO BE DEFINED IN LITTELFUSE INSPECTION INSTRUCTIONS CP DENOTES CP DIMENSIONS. MINIMUM CP VALUE MUST BE WITHIN THE DIMENSIONAL LIMITATIONS SHOWN ON DRAWING AND INITIALLY LOCATED TO ALLOW FOR MAXIMUM TOOL LIFE				
NAME		DATE		Expertise Applied Answers Delivered
DRAWN L. De Moin		14/05/2019		
CHECKED				
FORM NO. CP-REQ-2013 REV. A				TITLE
FIRST ANGLE PROJECTION				Electrical BDS
SIZE: A1		DWG. NO. OL-08091761		SCALE: 1:1
SHEET 1 OF 1				