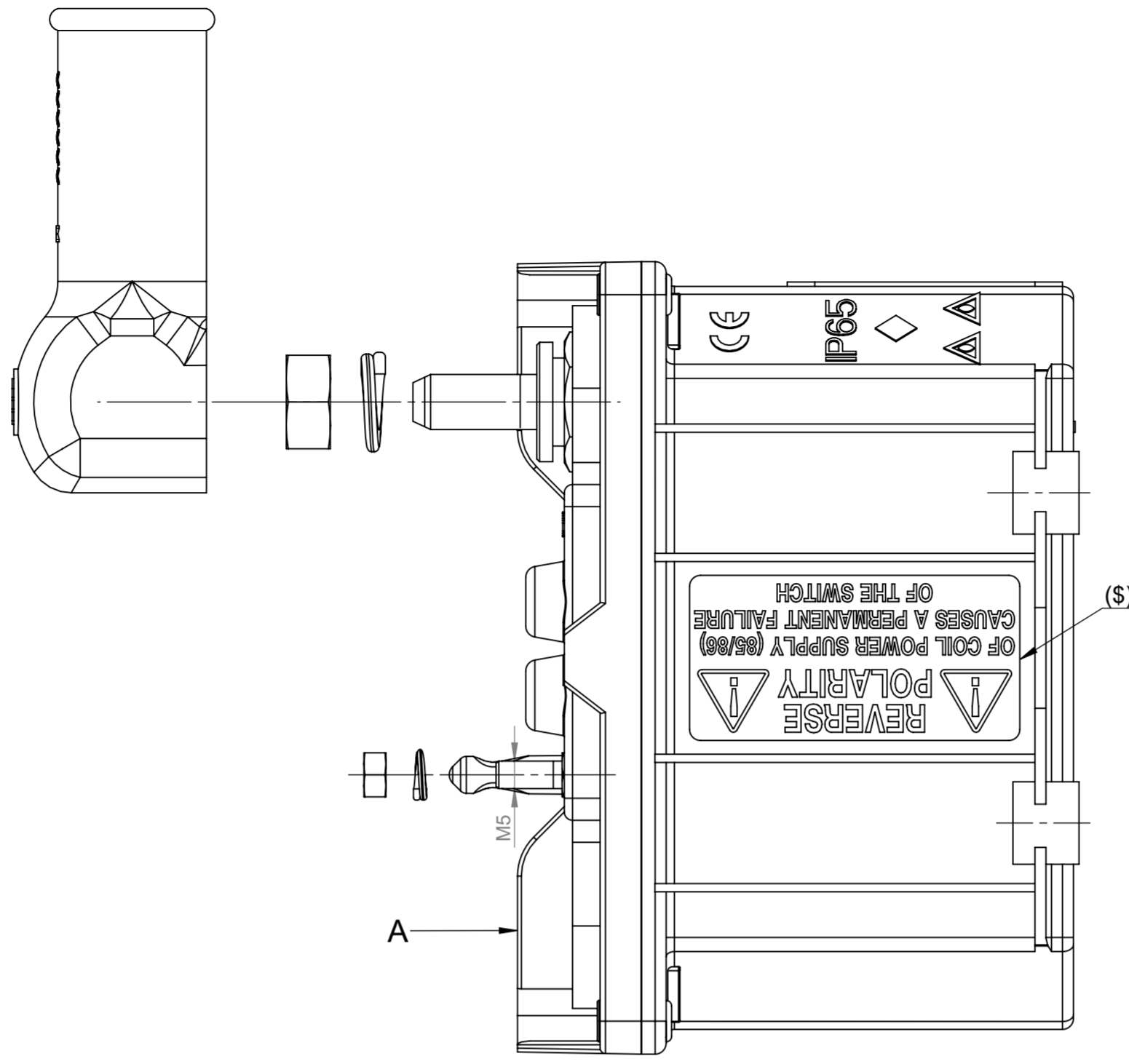
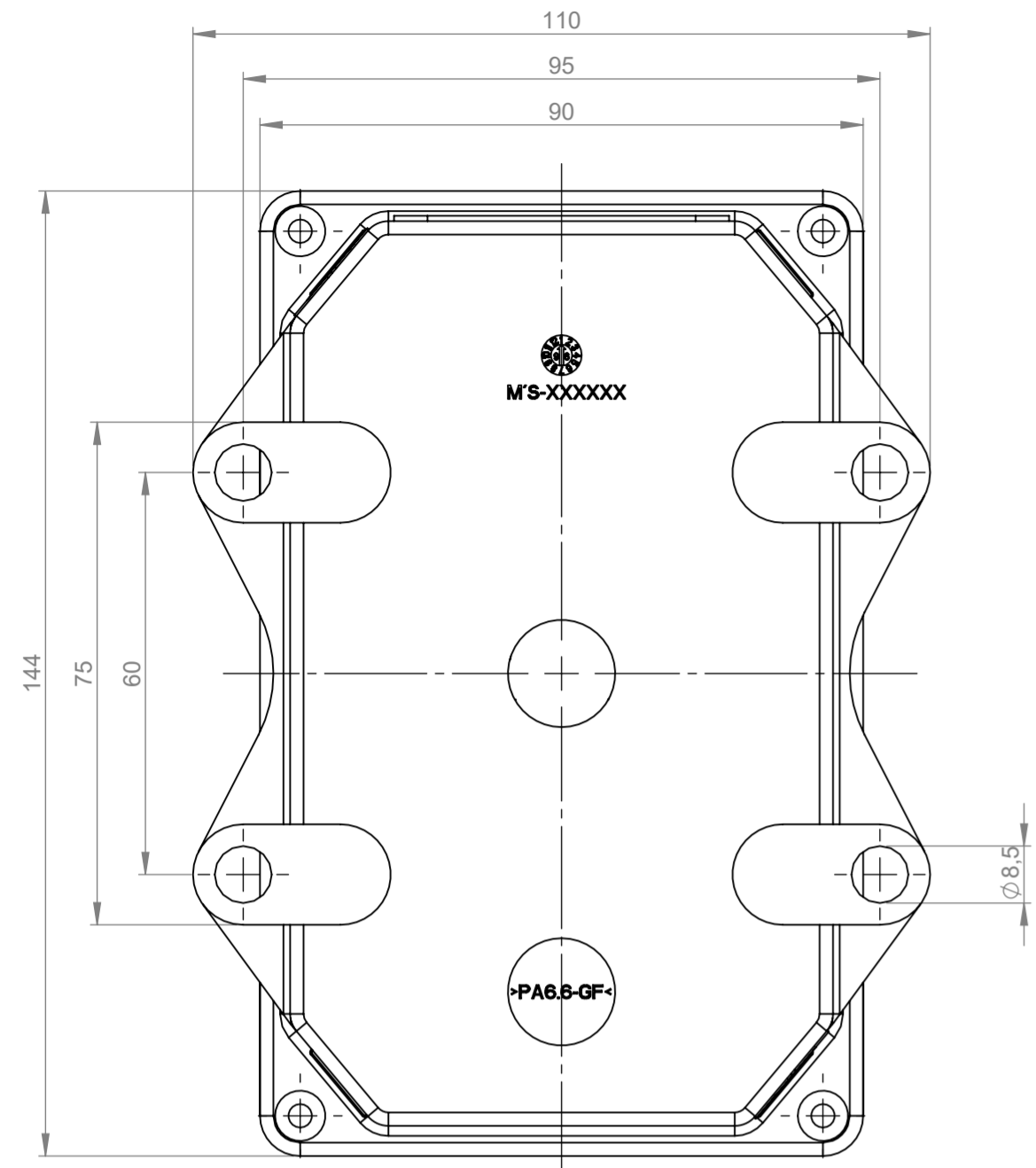


THIS DRAWING AND THE INFORMATION CONTAINED WITHIN IT ARE CONFIDENTIAL AND MAY NOT BE COPIED OR DISCLOSED WITHOUT THE WRITTEN PERMISSION OF LITTELFUSE.

REVISIONS		DATE	DESIGNED	APPROVED
REV. A	DESCRIPTION FIRST ISSUE OF OUTLINE DRAWING	02-July-2020	Gasparini	Tinto



MECHANICAL CHARACTERISTICS

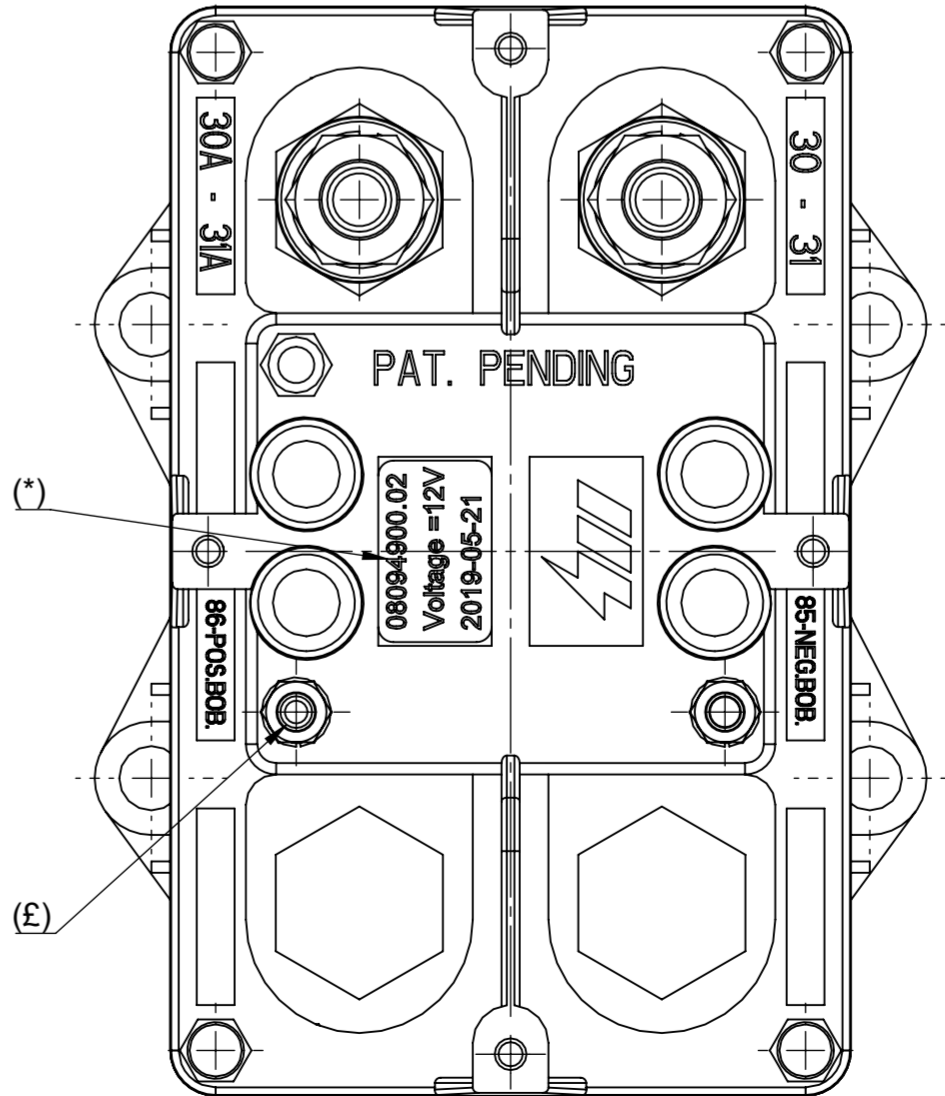
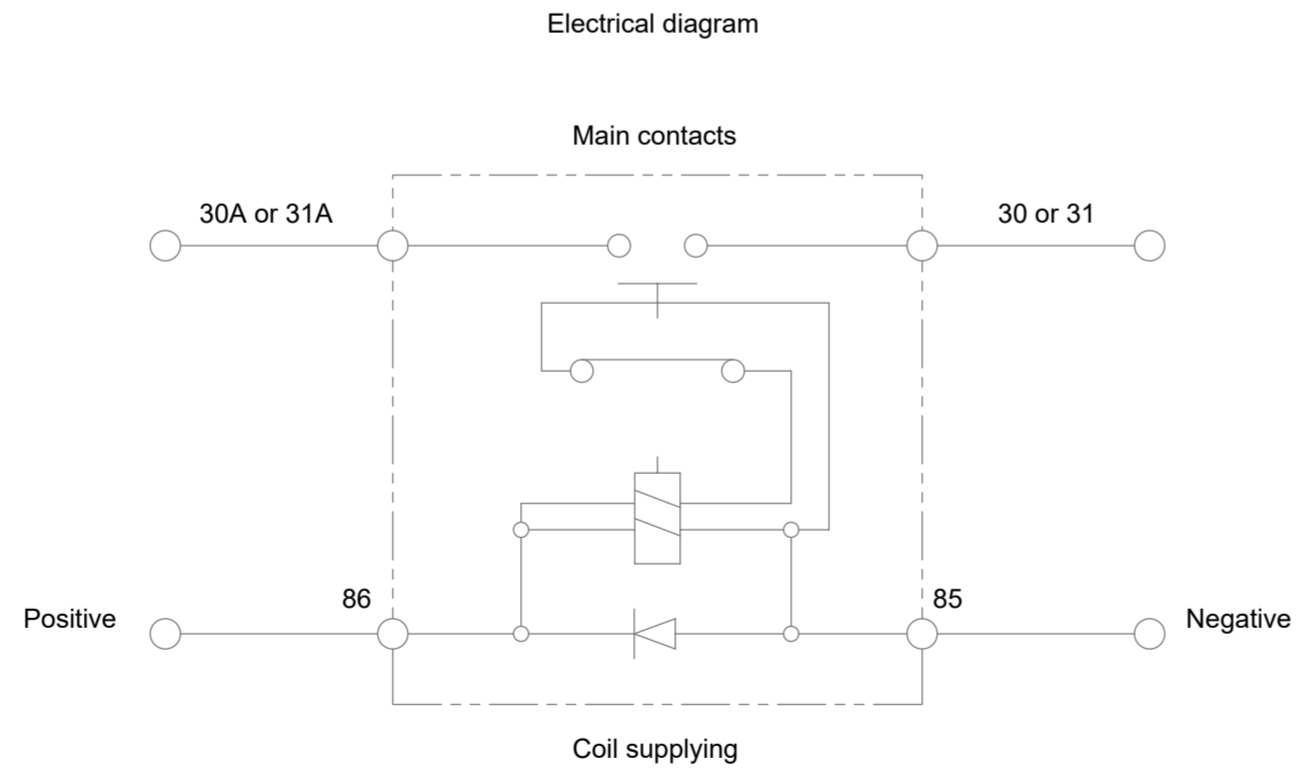
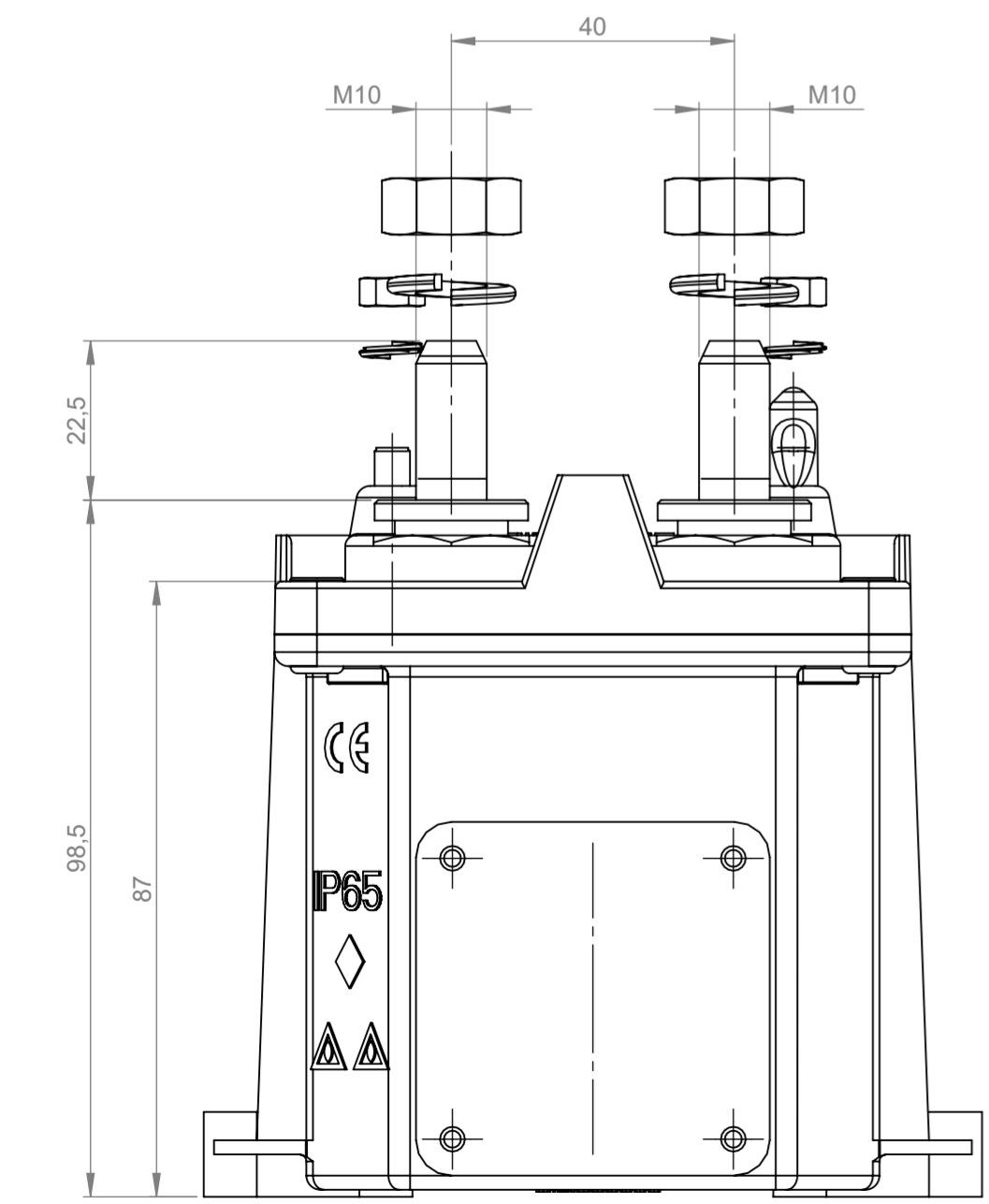
- Numbers of electrical and mechanical operations: 100.000
- Tightening torque nuts M10/M12: 20 ± 2 Nm
- Tightening torque nuts M5/M6: 1.6 ± 0.4 Nm

ELECTRICAL CHARACTERISTICS

- Nominal voltage range: 12 ± 24 V
- Maximum continuous current on main contacts: 250A
- Maximum short time current on main contacts: 2000A at 23°C for 30sec

PRESCRIPTIONS

- (*): Marking of date of manufacturing according to standard LITTELFUSE
- (\$): To apply the label indifferently on one box side or the opposite
- (£): Cap for M5 pos. coil pin identification, to remove during TGC installation on vehicle
- It is prudent to fixing the product to the structure using M8 screws and flat washers under the head



Vista da A

SAP drawing number:
Material and treatments:

DIMENSIONS AND TOLERANCES IN MILLIMETERS, DEFINED ACCORDING TO ISO 1101-2017.	
linear dimensions	
0,5 3 ±0,2	>3 6 ±0,3
>6 30 ±0,5	>30 120 ±0,8
>120 400 ±1,2	>400 1000 ±2
>1000 2000 ±3	
angle (for range of lengths)	
up to 10	>10 50
>50 120	>120 400
>150 ±1°30'	>200 ±1°
>300 ±0°30'	>400 ±0°15'
●	FIT/ FUNCTION CRITICAL CHARACTERISTICS SYMBOL
<S>	SAFETY/ COMPLIANCE CRITICAL CHARACTERISTICS SYMBOL
CPK	DENOTES CPK DIMENSIONS MINIMUM CPK VALUE
ST	DENOTES A CHARACTERISTIC THAT PROVIDES AN INDICATION OF PROCESS PERFORMANCE.PROCEDURE FOR MEASUREMENT AND TRACKING TO BE DEFINED IN LITTELFUSE INSPECTION INSTRUCTIONS
CP	DENOTES CP DIMENSIONS. MINIMUM CP VALUE MUST BE WITHIN THE DIMENSIONAL LIMITATIONS SHOWN ON DRAWING AND INITIALLY LOCATED TO ALLOW FOR MAXIMUM TOOL LIFE
NAME	DATE
DRAWN L. Dal Molin	20/05/2019
CHECKED -	-
-	-
-	-
Littelfuse Expertise Applied Answers Delivered	
FORM NO. CVP-PE40-0013 REV A	TITLE
FIRST ANGLE PROJECTION	REMOTE CONTROL SWITCH TGC
SIZE: A2	12V(Positive or negative connection) OL-08094900
DO NOT SCALE DRAWING	SCALE 1:1
	SHEET 1 OF 1