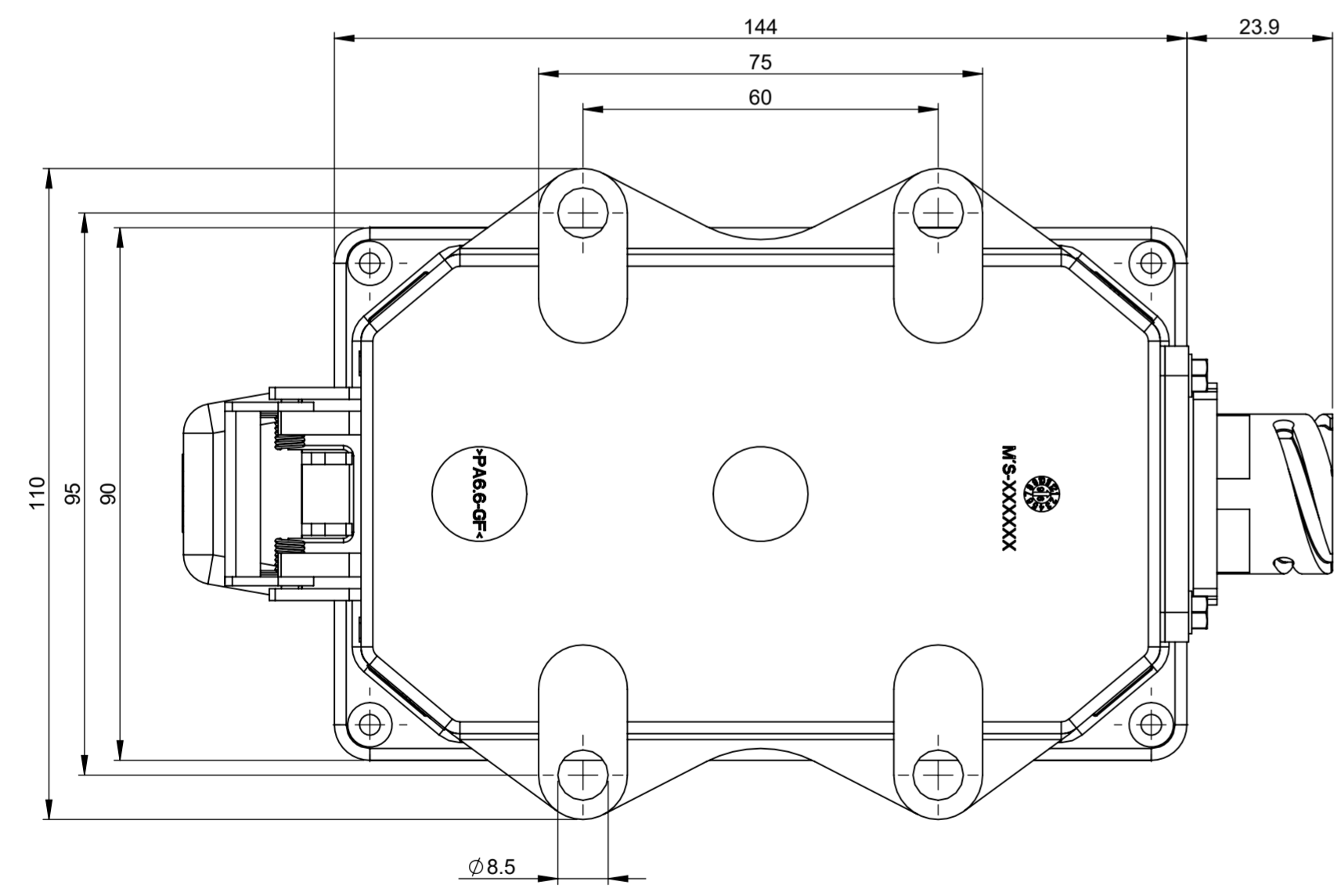
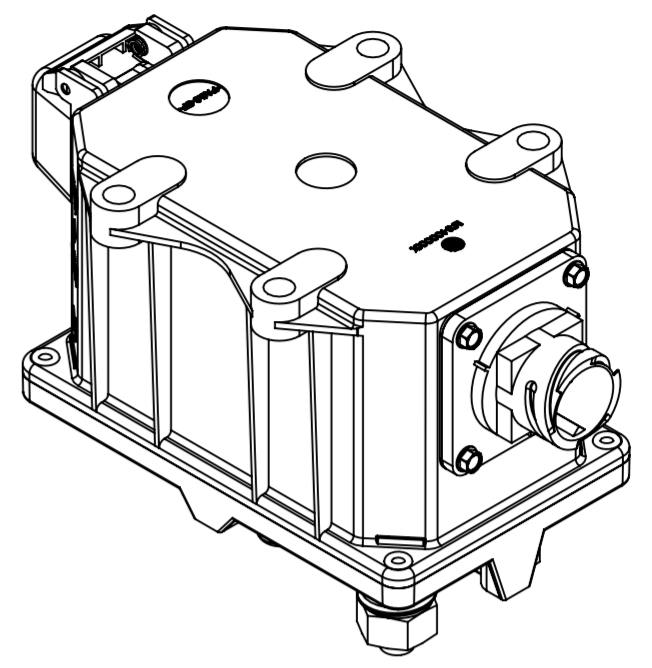
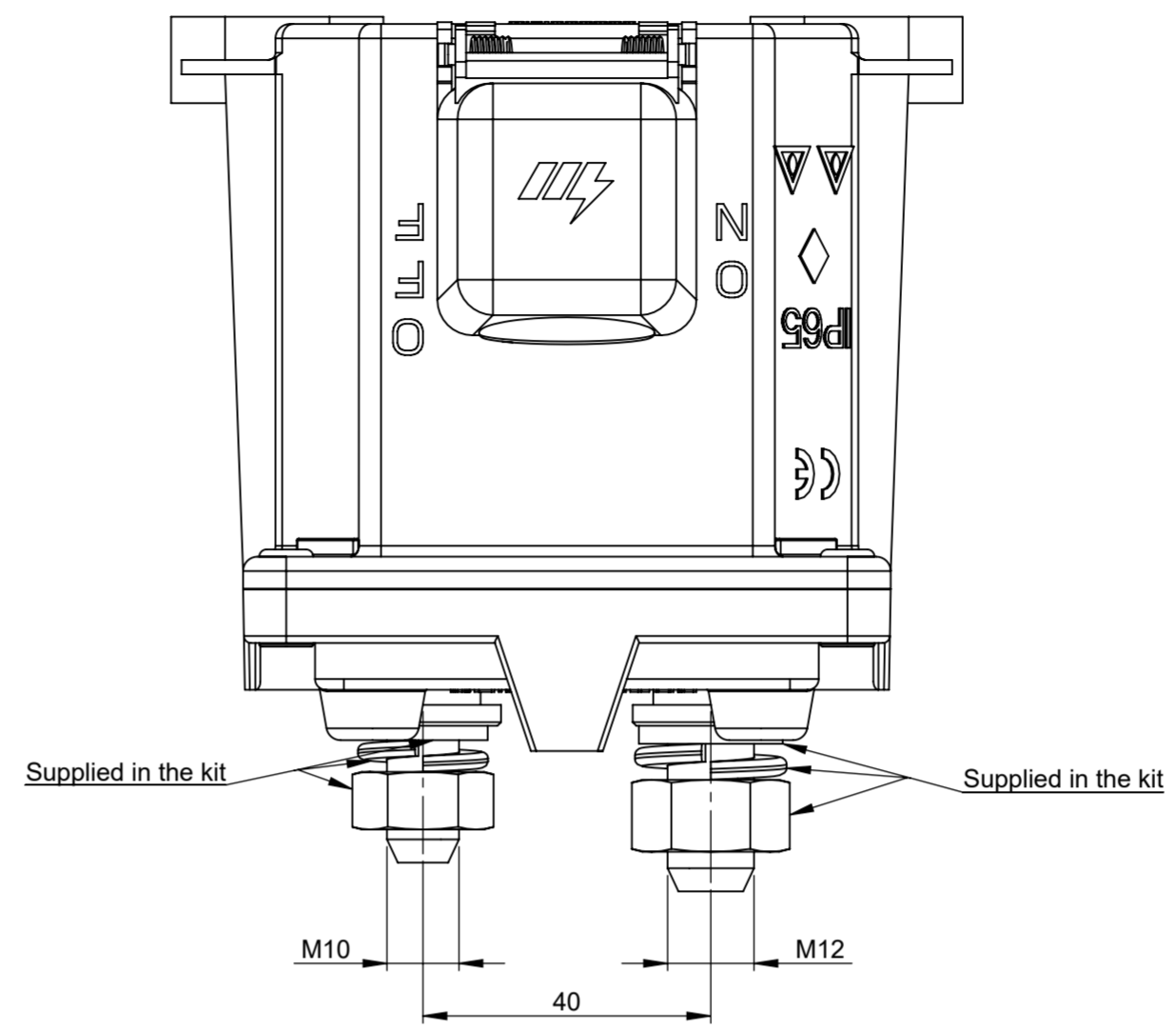
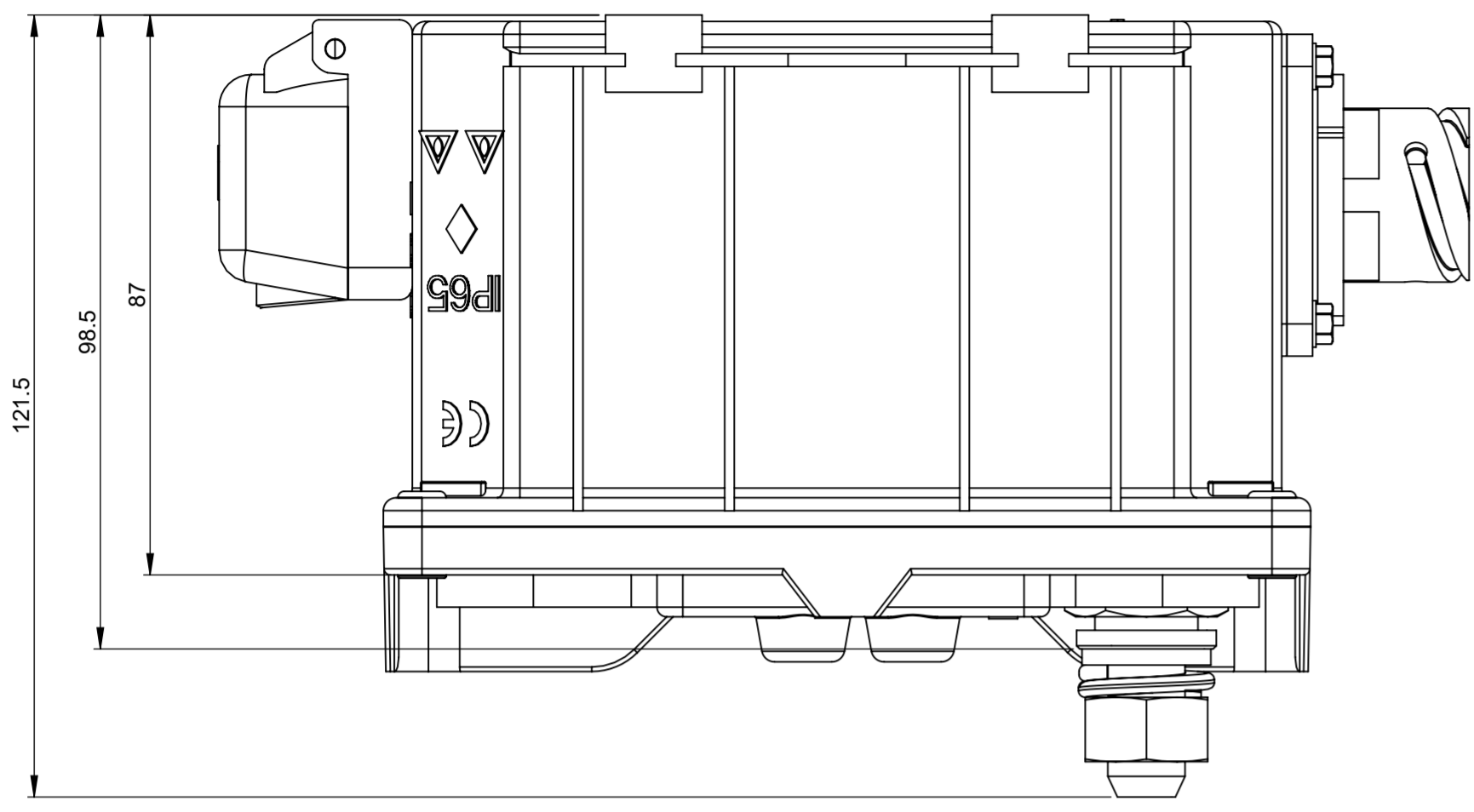
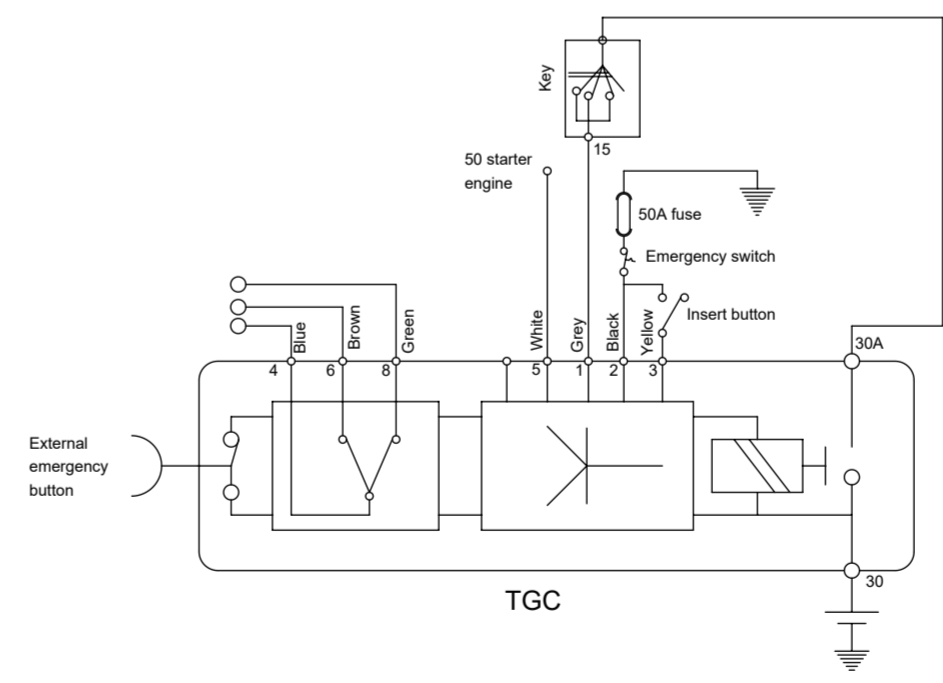


THIS DRAWING AND THE INFORMATION CONTAINED WITHIN IT ARE CONFIDENTIAL AND MAY NOT BE COPIED OR DISCLOSED WITHOUT THE WRITTEN PERMISSION OF LITTELFUSE.

REV.	DESCRIPTION	DATE	GCF / ECR	DESIGNED	APPROVED
A	Initial Release	2 Aug 2022		L.Dal Molin	M.Tinto



### ELECTRICAL DIAGRAM



### REFERENCES 8 PIN SOCKET

Socket references	Function
1	15
2	Emergency negative
3	Insertion
4	Aux common
5	50
6	NC Aux
7	Not collacted
8	NO Aux

DIMENSIONS AND TOLERANCES IN MILLIMETERS, DEFINED ACCORDING TO ISO 1101-2017.						
linear dimensions						
0,5	>3	>6	>30	>120	>400	>1000
3	6	30	120	400	1000	2000
±0,2	±0,3	±0,5	±0,8	±1,2	±2	±3
angle (for range of lengths)						
up to 10	>10	>50	>120	>500	>1200	>2000
±1°30'	±1°	±0°30'	±0°15'			

●	FIT/ FUNCTION CRITICAL CHARACTERISTICS SYMBOL	
<S>	SAFETY/ COMPLIANCE CRITICAL CHARACTERISTICS SYMBOL	
CPK	DENOTES CPK DIMENSIONS MINIMUM CPK VALUE	
ST	DENOTES A CHARACTERISTIC THAT PROVIDES AN INDICATION OF PROCESS PERFORMANCE. PROCEDURE FOR MEASUREMENT AND TRACKING TO BE DEFINED IN LITTELFUSE INSPECTION INSTRUCTIONS	
CP	DENOTES CP DIMENSIONS. MINIMUM CP VALUE MUST BE WITHIN THE DIMENSIONAL LIMITATIONS SHOWN ON DRAWING AND INITIALLY LOCATED TO ALLOW FOR MAXIMUM TOOL LIFE	
DRAWN	NAME	DATE
CHECKED	L. Dal Molin	2 Aug 2022
FORM NO. CVP-PE40-0013 REV A	TITLE	
FIRST ANGLE PROJECTION	ELECTRICAL BMS TGC/DE-I 24V(+)	
DO NOT SCALE DRAWING	SCALE 1:1	SHEET 1 OF 1
	SIZE: A2	DWG. NO. OL-08096562
		OUTLINE REV. A

DOCUMENTO CORRELATO AL CERTIFICATO  
**INERIS 03ATEX0202**  
 Non sono ammesse modifiche senza l' approvazione della "Persona Autorizzata".

- PRESCRIPTIONS**
- Tightening torque of M12 nut: 22 ± 1 Nm
  - Tightening torque of M10 nut: 22 ± 1 Nm
  - Work environment 4: according to Iveco Std. 18-2252
  - Fix the device to the structure by the M8 screws and plane washer with a torque of 10 ± 2 Nm.

- CHARACTERISTICS**
- Nominal voltage: 12 - 24V
  - Maximum continuous current: 250A
  - Maximum short time current: 2000A for 30 sec.
  - Number of mechanical and electrical cycles: 100.000