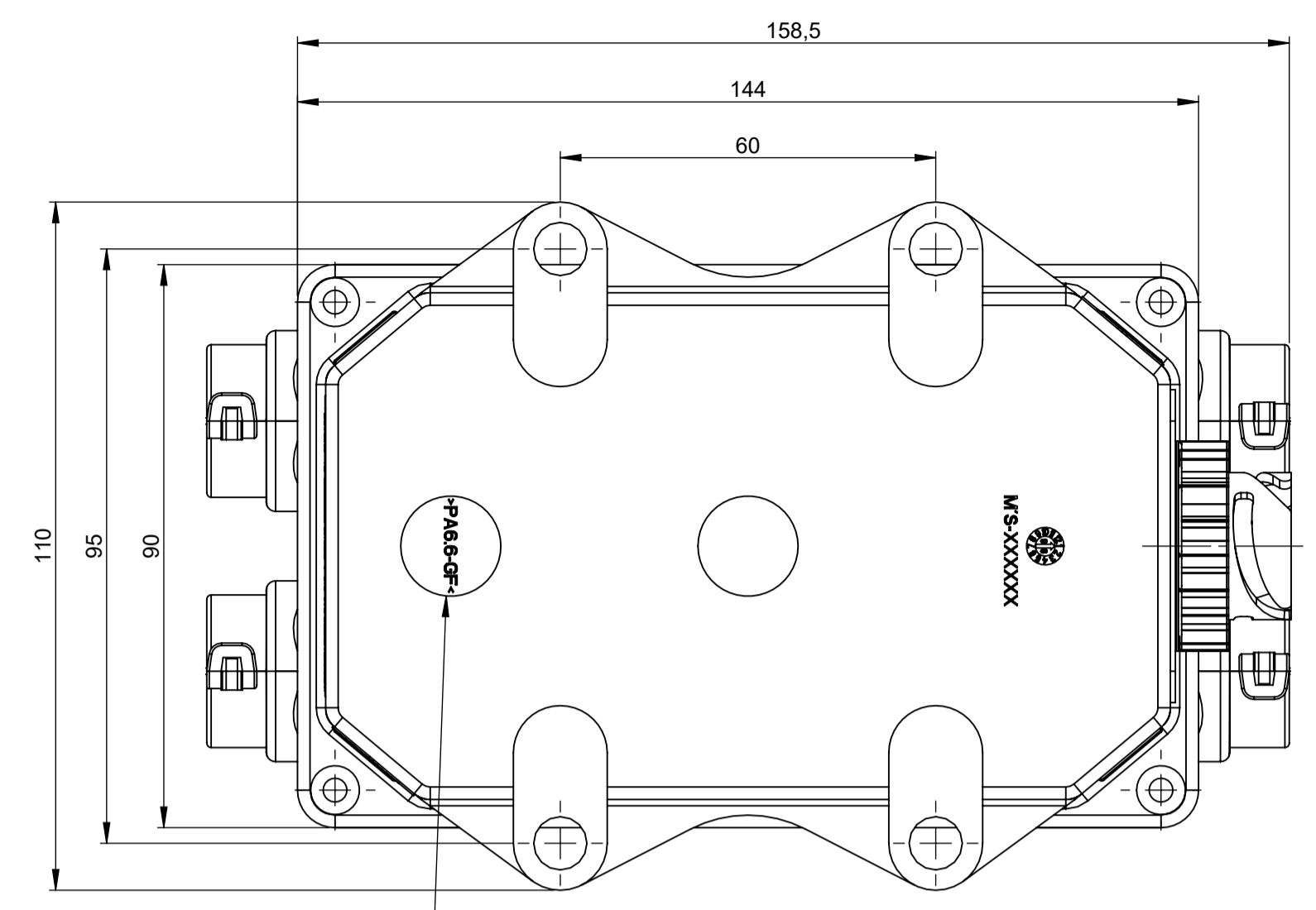
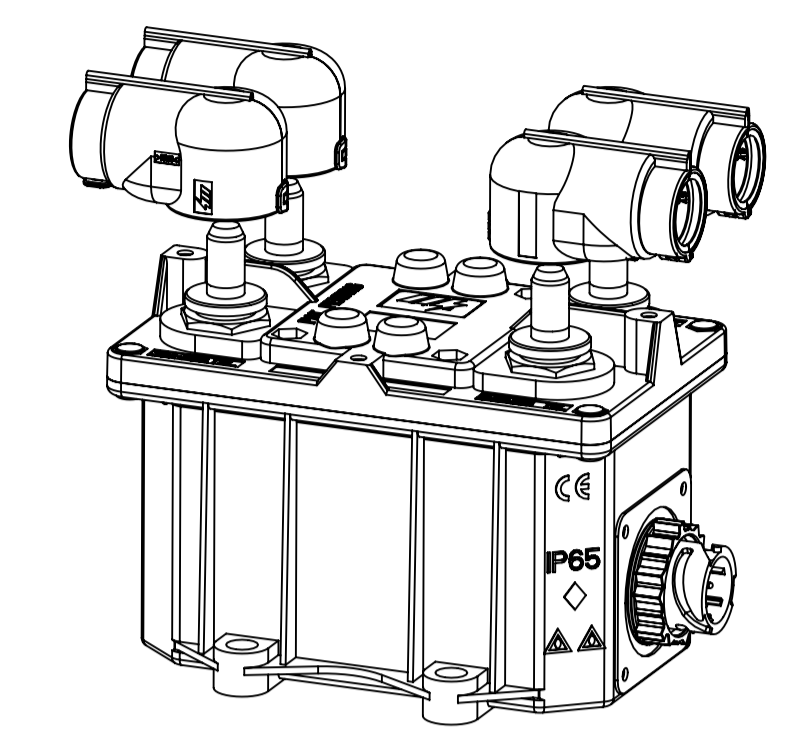


DETTAGLIO A SCALA 2 : 1

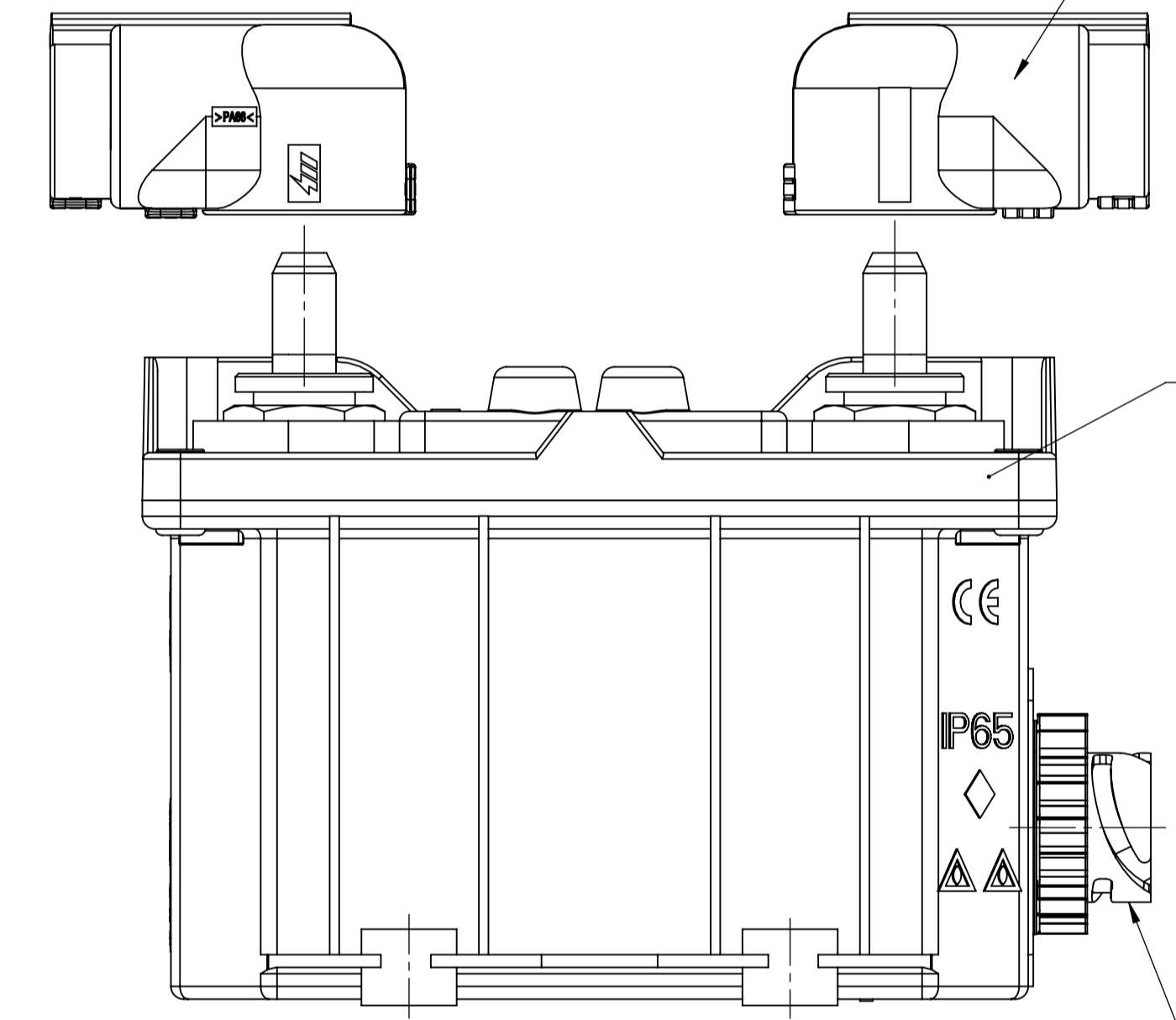
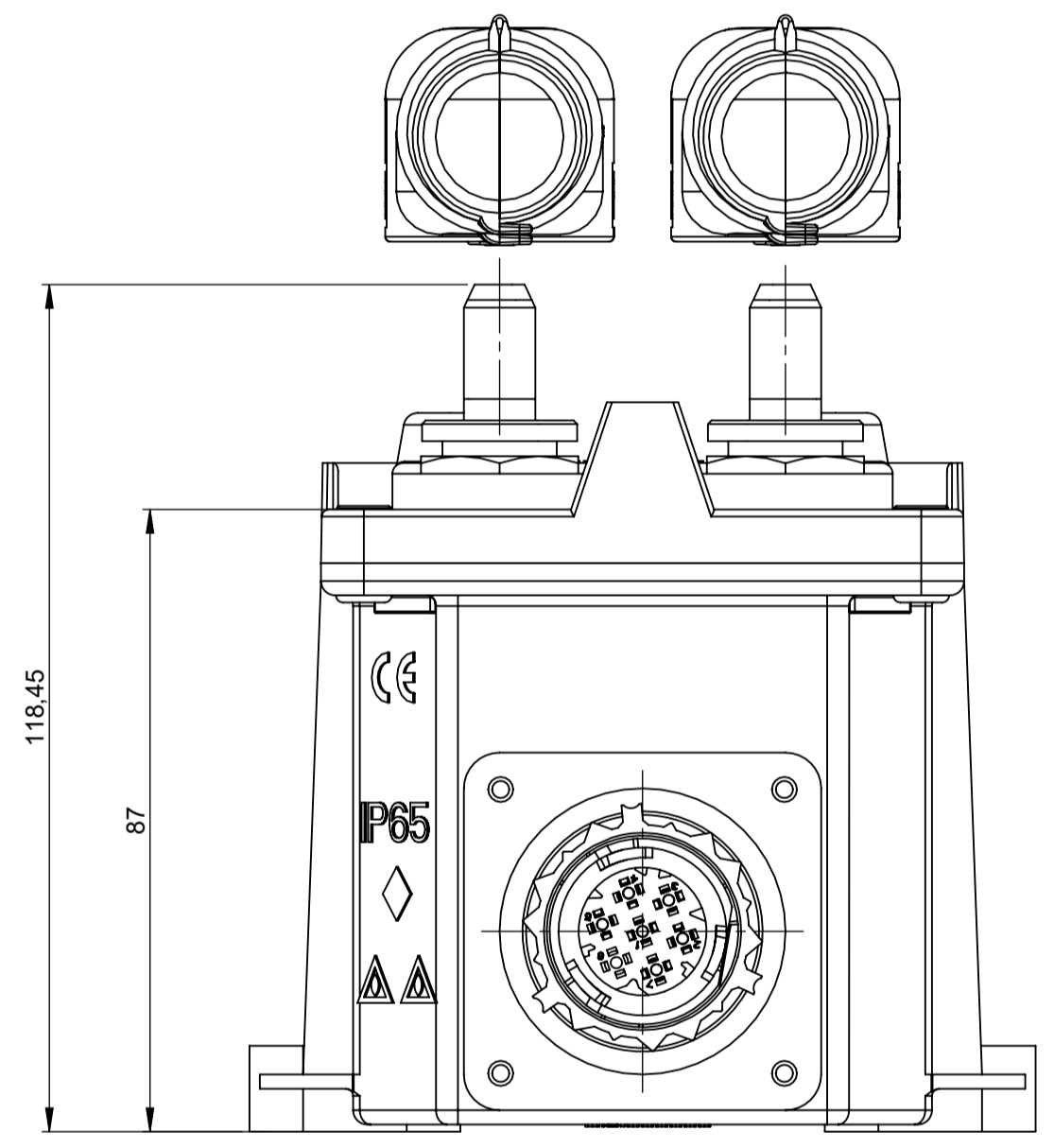


Box PA 6.6
CTI 300



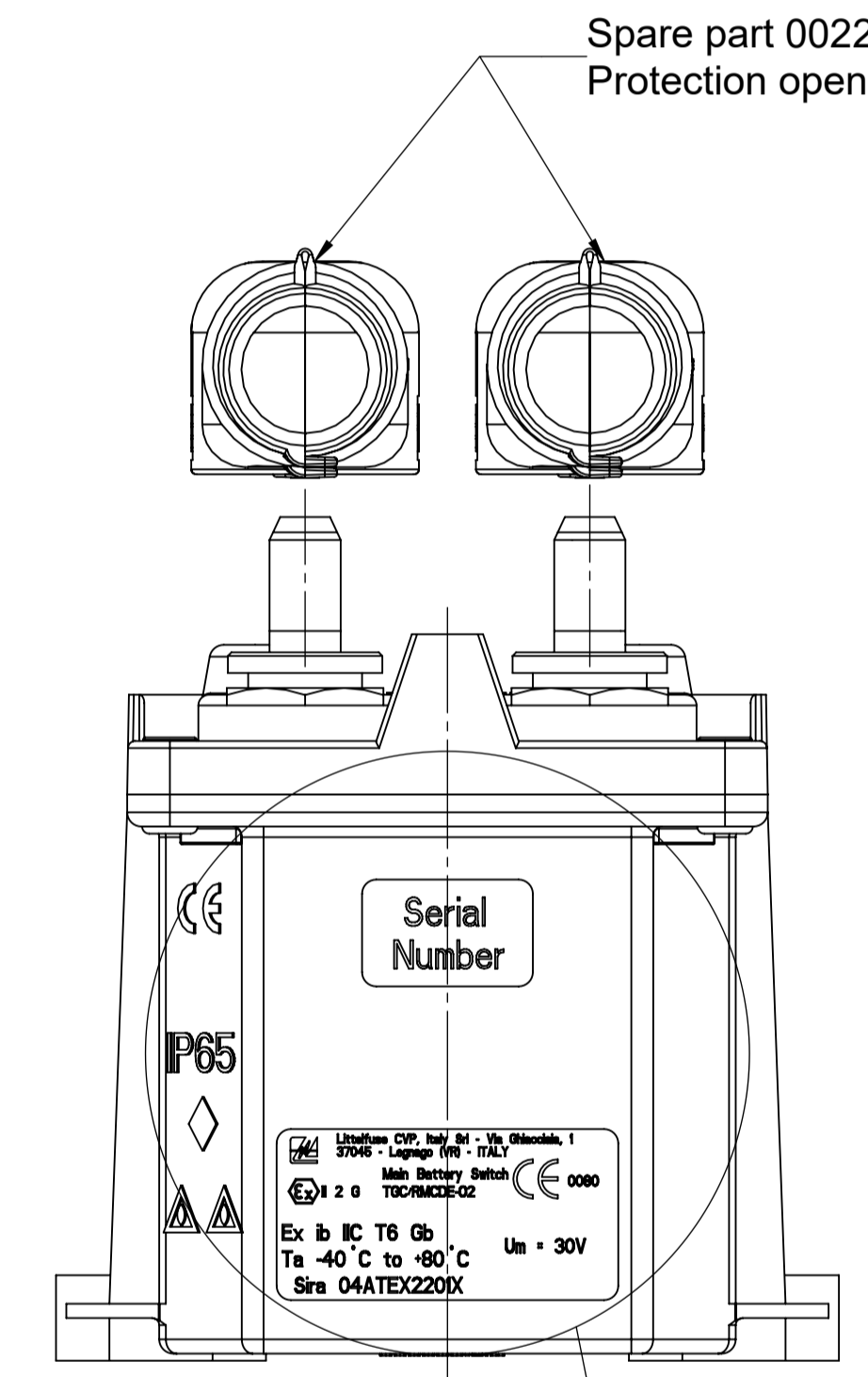
Protection PA 6
CTI 3000

Spare part 00226200
Protection open 70 mmq

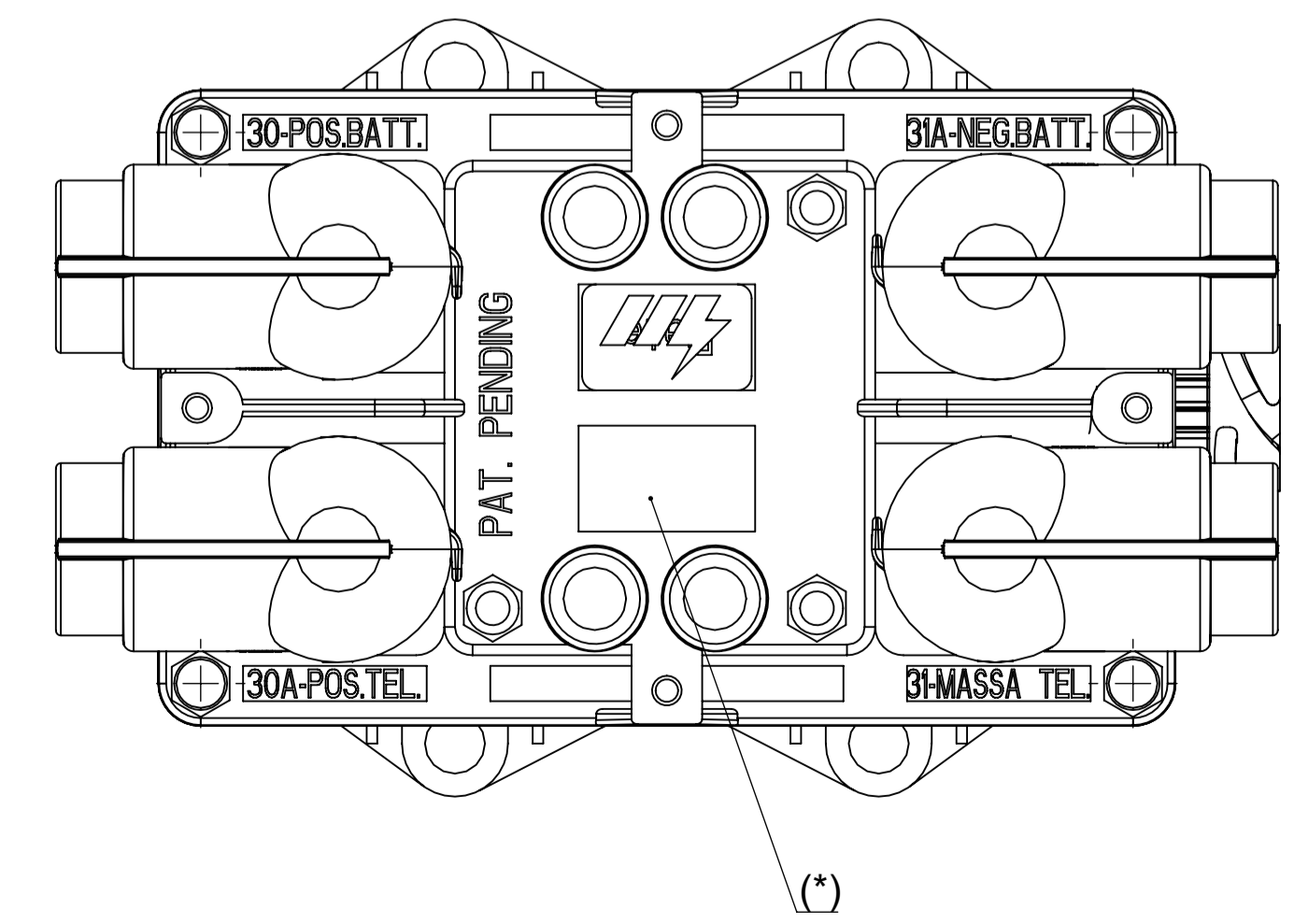


Cover BMC 9/20
CTI 600

Connector PBT
CTI 400



A



(*)

ELECTRICAL CHARACTERISTICS

- Nominal operating voltage: 12 + 24 V
- Max continuous current on contacts: 250 A at 23°C
- Max current short duration on contacts: 2000 A at 23°C for 30 sec.

PRECSRIPTIONS

- (Z): Self-sticking immovable label size 48x23 mm with: white background, Polyester material with thickness 0.006-0.01 mm, printed by thermic printer.
- Good quality of adhesive support it cannot damage the application surface, resistant to abrasive action, resistant to environment agents and UV rays, self burn out, resistant to humidity and to oils and greases used on the automotive line.
- test the device according to Littelfuse CPP 00027
- Torque of screws M10=20 Nm max
- Fix the device by M8 screws UNI 5931:1984 and washers 8.4x1.7 UNI 6592:1969
- (*): Production date
- The distance between the contacts must be 2 mm minimum

SAP drawing number:

Material and treatments:

DIMENSIONS AND TOLERANCES IN MILLIMETERS, DEFINED ACCORDING TO ISO 1101:2017.	
linear dimensions	
0,5	>3
3	6
±0,2	±0,3
>6	>30
±0,5	±0,8
>30	>120
±1,2	±2
>120	>400
±2	±3
>400	>1000
±3	±5
angle (for range of lengths)	
up to 10	>10
±1'30"	±1'
>50	>120
±0'30"	±0'15"
>120	>400
>400	>1000
>1000	>2000
<p>● FIT: FUNCTION CRITICAL CHARACTERISTICS SYMBOL</p> <p><S> SAFETY: COMPLIANCE CRITICAL CHARACTERISTICS SYMBOL</p> <p>CPK DENOTES CPK DIMENSIONS MINIMUM CPK VALUE</p> <p>(ST) DENOTES A CHARACTERISTIC THAT PROVIDES AN INDICATION OF PROCESS PERFORMANCE PROCEDURE FOR MEASUREMENT AND TRACKING TO BE DEFINED IN LITTELFUSE INSPECTION INSTRUCTIONS</p> <p>CP DENOTES CP DIMENSIONS. MINIMUM CP VALUE MUST BE WITHIN THE DIMENSIONAL LIMITATIONS SHOWN ON DRAWING AND INITIALLY LOCATED TO ALLOW FOR MAXIMUM TOOL LIFE</p>	
NAME	DATE
DRAWN L. De Moin	28/05/2019
CHECKED	
FORM NO. CVP-RES-0013 REV.1	TITLE
FIRST ANGLE PROJECTION	GENERAL ELECTRICAL MAIN SWITCH
SIZE: A1	TGC/RMCDE 24V SEP (+E) 2P
DO NOT SCALE DRAWING	SCALE: 1:1
	OL-08097463
	SHEET 1 OF 1

