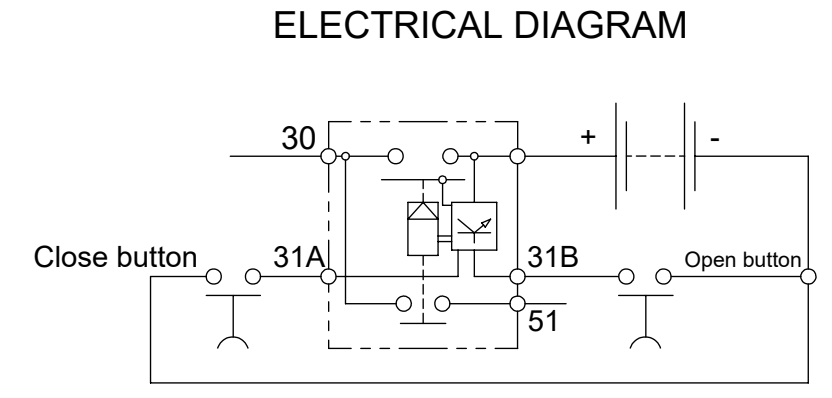
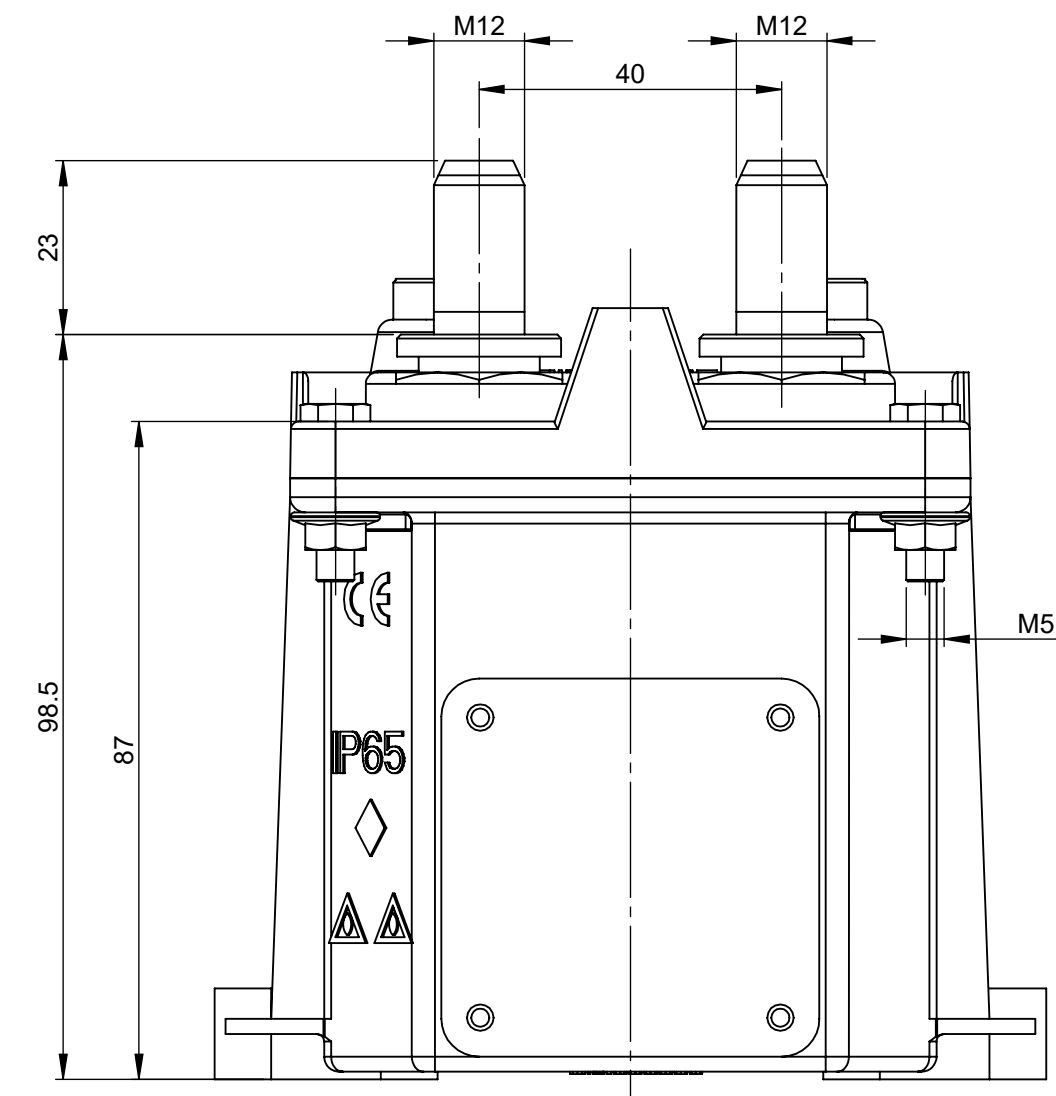
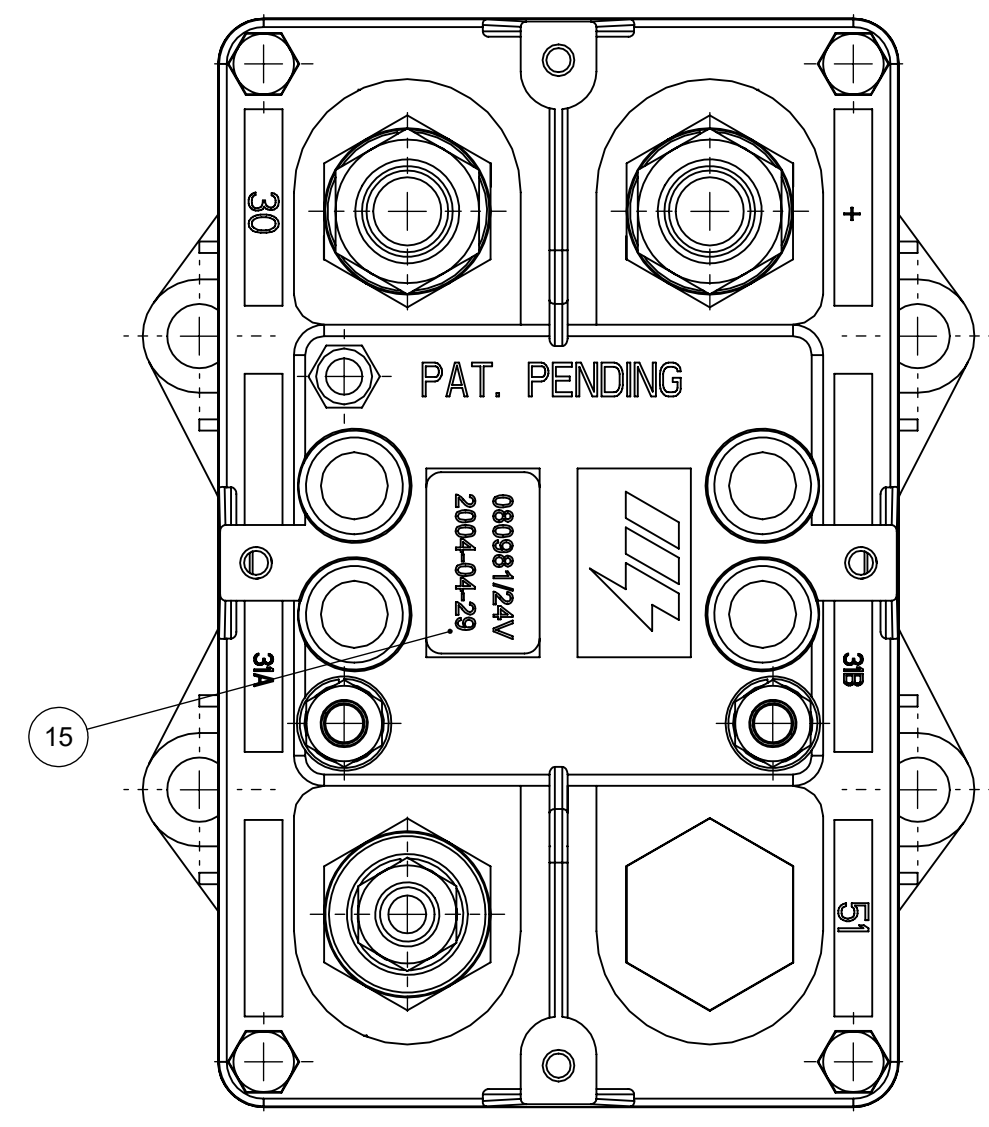
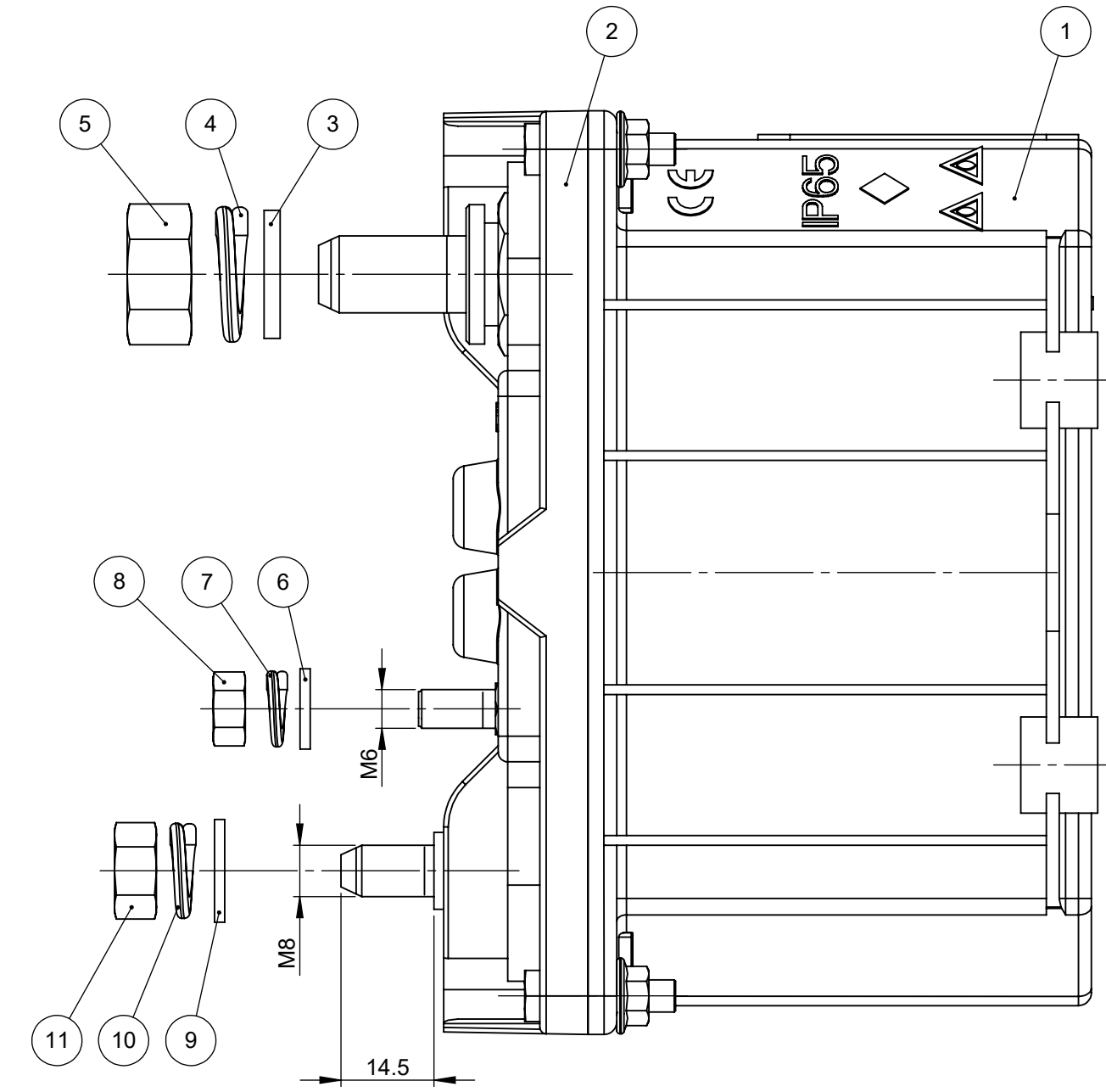
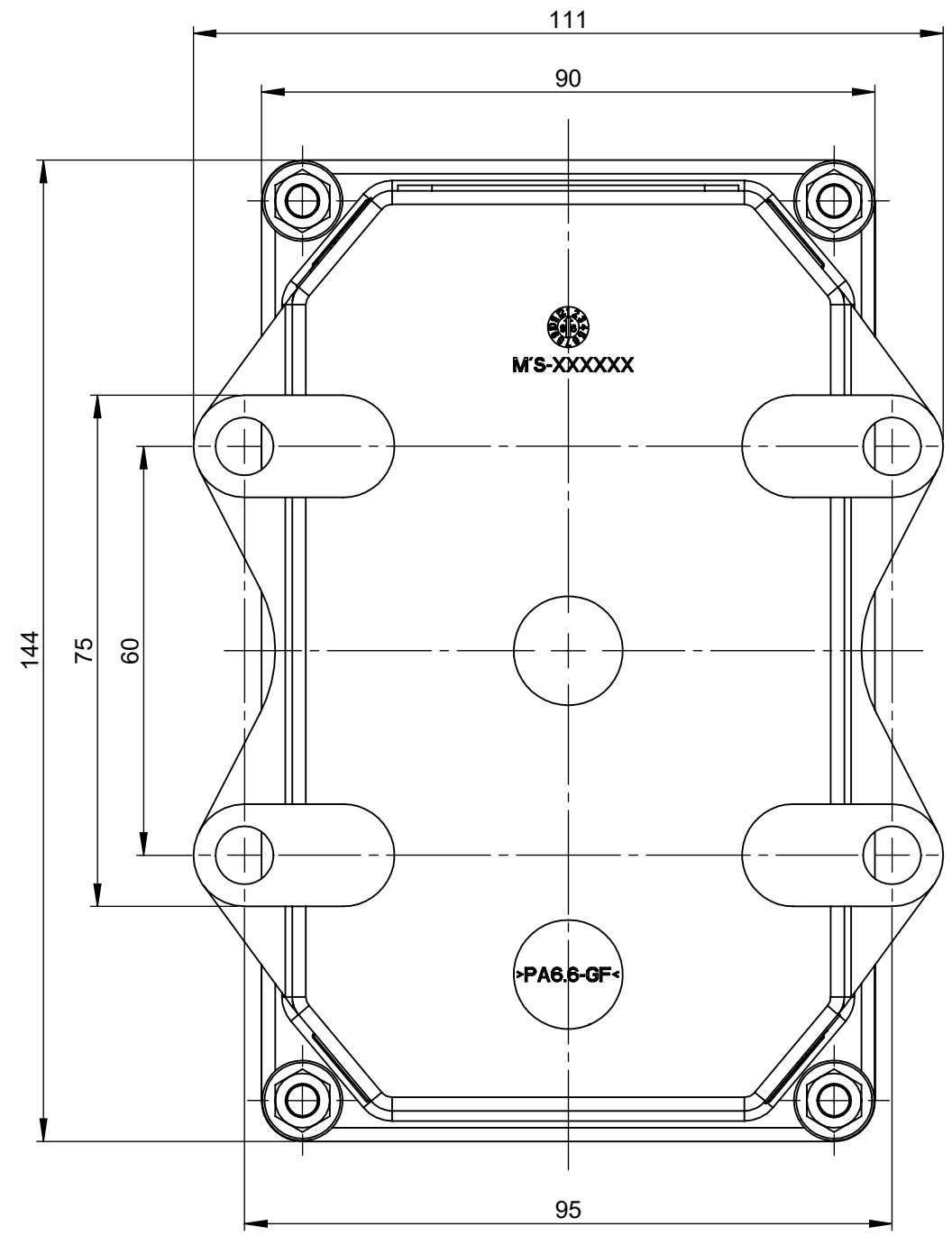


THIS DRAWING AND THE INFORMATION CONTAINED WITHIN IT ARE CONFIDENTIAL AND MAY NOT BE COPIED OR DISCLOSED WITHOUT THE WRITTEN PERMISSION OF LITTELFUSE.

REVISIONS				
REV.	DESCRIPTION	DATE	DESIGNED	APPROVED
A	First issue of outline drawing	07-Jul-20	L.Dal Molin	M.Tinto



MECHANICAL CHARACTERISTIC
 - Number of mechanical and electrical operation: 50.000
 - Tightening torque nut M12: 20 Nm max
 - Tightening torque nut M8: 10 Nm max
 - Tightening torque nut M6: 1.6±0.4 Nm
 - Tightening torque nut M5: 1.6±0.4 Nm

ELECTRICAL CHARACTERISTIC
 - Nominal voltage: 24 V
 - Max continuous current on main contacts: 350 A at 23°C
 - Max current short duration on main contacts: 1500 A for 30 sec. at 23°C

PRESCRIPTIONS
 - (*): Date of production according to Standard Littelfuse
 - We suggest to fix the device to the structure by screws M8 UNI 5931:1984 and plane washers 8.4x17 UNI 6592:1969 under head

SAP drawing number:
 Material and treatments:

POS.	DESCRIPTION	MATERIAL	Q.TY	U/M
11	Nut M8	Brass	1	EA
10	Spring washer Ø 8	Bronze	1	EA
9	Plane washer 8.4x16	Brass	1	EA
8	Nut M6	Brass	2	EA
7	Spring washer Ø 6	Bronze	2	EA
6	Plane washer 6.4x12.5	Brass	2	EA
5	Nut M12	Brass	2	EA
4	Spring washer Ø 12	Bronze	2	EA
3	Plane washer 12.3x20x2.5	Brass	2	EA
2	Top cover	Thermosetting	1	EA
1	Box	PA66	1	EA

DIMENSIONS AND TOLERANCES IN MILLIMETERS, DEFINED ACCORDING TO ISO 1101:2017.						
linear dimensions						
0,5	>3	>6	>30	>120	>400	>1000
3	6	30	120	400	1000	2000
±0,2	±0,3	±0,5	±0,8	±1,2	±2	±3
angle (for range of lengths)						
up to	>10	>50	>120	>400	>1200	>2000
10	50	120	400	1000	2000	
±1°30'	±1°	±0°30'	±0°15'			
● FIT/ FUNCTION CRITICAL CHARACTERISTICS SYMBOL						
<S> SAFETY/ COMPLIANCE CRITICAL CHARACTERISTICS SYMBOL						
CPK DENOTES CPK DIMENSIONS MINIMUM CPK VALUE						
ST DENOTES A CHARACTERISTIC THAT PROVIDES AN INDICATION OF PROCESS PERFORMANCE. PROCEDURE FOR MEASUREMENT AND TRACKING TO BE DEFINED IN LITTELFUSE INSPECTION INSTRUCTIONS						
CP DENOTES CP DIMENSIONS. MINIMUM CP VALUE MUST BE WITHIN THE DIMENSIONAL LIMITATIONS SHOWN ON DRAWING AND INITIALLY LOCATED TO ALLOW FOR MAXIMUM TOOL LIFE						
NAME	DATE	Littelfuse				
DRAWN	L. Dal Molin	07-Jul-20	Expertise Applied Answers Delivered			
CHECKED	-	-				
FORM NO.: CVP-PE40-0013 REV A						
FIRST ANGLE PROJECTION						
TITLE: GENERAL ELECTRICAL MAIN SWITCH						
SIZE: A2 DWG. NO.: OL-08098100						
DO NOT SCALE DRAWING SCALE 1:1 SHEET 1 OF 1						