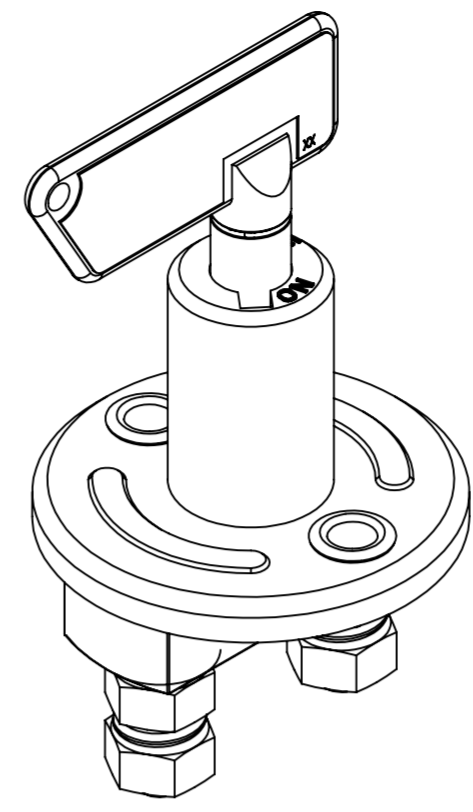
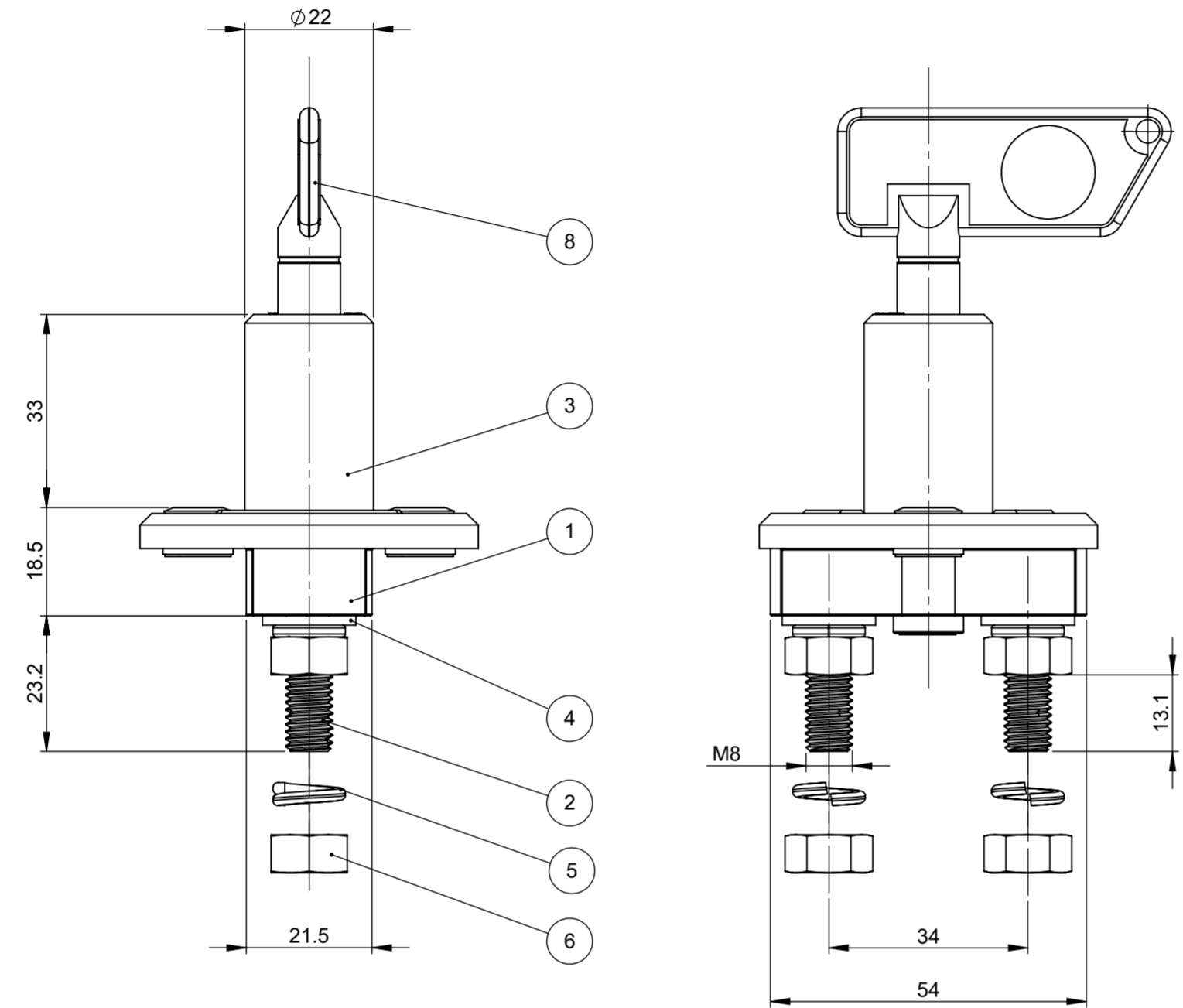


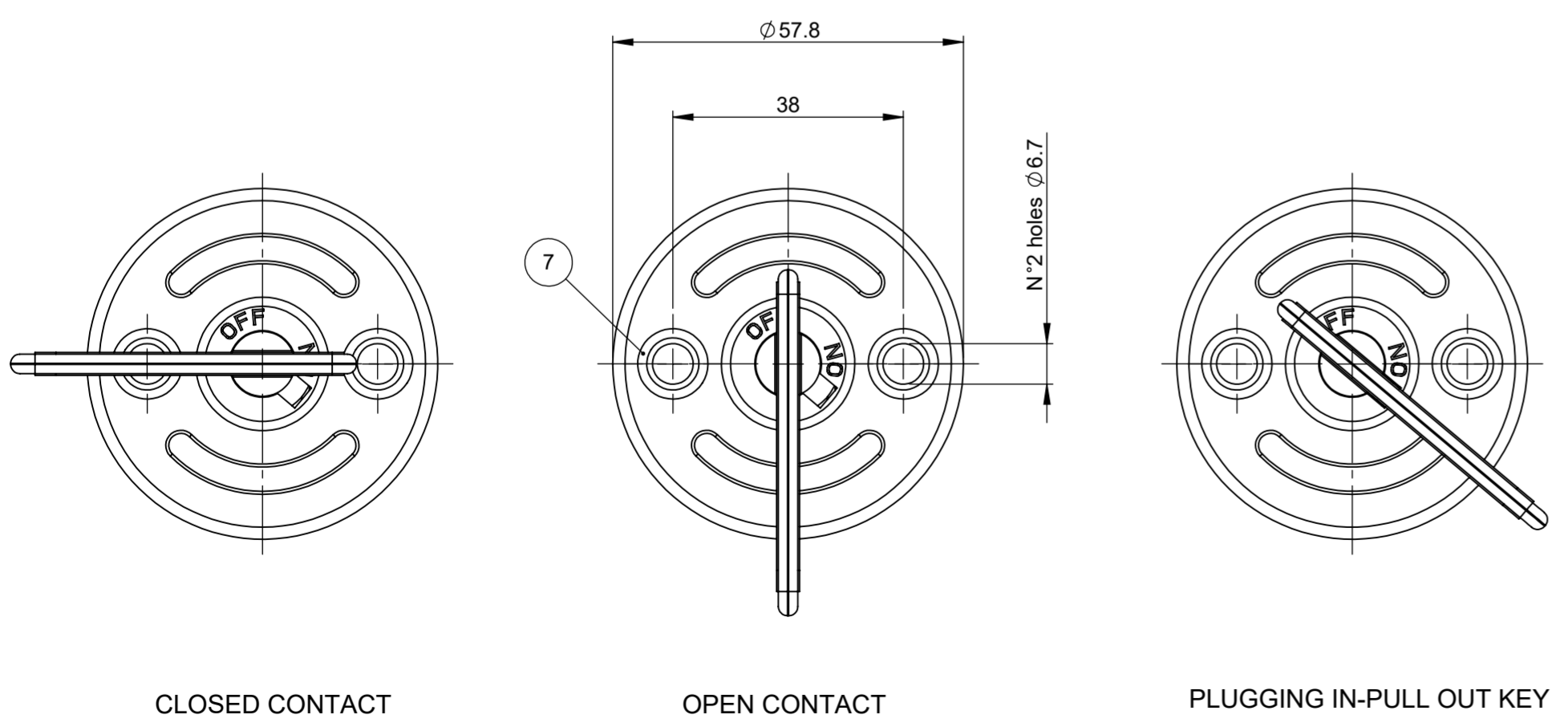
THIS DRAWING AND THE INFORMATION CONTAINED WITHIN IT ARE CONFIDENTIAL AND MAY NOT BE COPIED OR DISCLOSED WITHOUT THE WRITTEN PERMISSION OF LITTELFUSE.

| REVISIONS |                                |           |             |          |
|-----------|--------------------------------|-----------|-------------|----------|
| REV.      | DESCRIPTION                    | DATE      | DESIGNED    | APPROVED |
| A         | First issue of outline drawing | 22-May-20 | L.Dal Molin | M.Tinto  |



SCALE 1:1

| POS. | DESCRIPTION                  | MATERIAL  | QTY. | U/M |
|------|------------------------------|-----------|------|-----|
| 8    | Key no logo red complete     |           | 1    | EA  |
| 7    | Eyelet                       | Iron      | 2    | EA  |
| 6    | Nut M8                       | Brass     | 4    | EA  |
| 5    | Spring washer                | Bronze    | 4    | EA  |
| 4    | Washer Te 8.4x16             |           | 2    | EA  |
| 3    | Upper body cam double        | Polyamide | 1    | EA  |
| 2    | Power stud                   | Copper    | 2    | EA  |
| 1    | Lower body cont.-holder hole | Polyamide | 1    | EA  |



**CHARACTERISTICS AND PRESCRIPTIONS**

- Rated voltage: 14V ÷ 28 V
- Maximum direct current: 100A
- Maximum short time current: 500A for 5sec at 23°C
- Number of electrical operations: 5000
- Number of mechanical operations: 5000
- Tightening torque M8 nuts provided in the kit: 6 ± 1Nm
- Tightening torque M6 nuts: 3.5 ± 0.5 Nm

Spring washer, Nut M8 and key are provided in the kit

SAP drawing number:

Material and treatments:

DIMENSIONS AND TOLERANCES IN MILLIMETERS, DEFINED ACCORDING TO ISO 1101-2017.

| linear dimensions            |      |        |        |      |       |       |
|------------------------------|------|--------|--------|------|-------|-------|
| 0,5                          | >3   | >6     | >30    | >120 | >400  | >1000 |
| 3                            | 6    | 30     | 120    | 400  | 1000  | 2000  |
| ±0,2                         | ±0,3 | ±0,5   | ±0,8   | ±1,2 | ±2    | ±3    |
| angle (for range of lengths) |      |        |        |      |       |       |
| up to                        | >10  | >50    | >120   | >400 | >1000 | >2000 |
| 10                           | 50   | 120    | 400    | 1000 | 2000  |       |
| ±1°30'                       | ±1°  | ±0°30' | ±0°15' |      |       |       |

● FIT/ FUNCTION CRITICAL CHARACTERISTICS SYMBOL  
 <S> SAFETY/ COMPLIANCE CRITICAL CHARACTERISTICS SYMBOL  
 CPK DENOTES CPK DIMENSIONS MINIMUM CPK VALUE  
 (ST) DENOTES A CHARACTERISTIC THAT PROVIDES AN INDICATION OF PROCESS PERFORMANCE.PROCEDURE FOR MEASUREMENT AND TRACKING TO BE DEFINED IN LITTELFUSE INSPECTION INSTRUCTIONS  
 CP DENOTES CP DIMENSIONS. MINIMUM CP VALUE MUST BE WITHIN THE DIMENSIONAL LIMITATIONS SHOWN ON DRAWING AND INITIALLY LOCATED TO ALLOW FOR MAXIMUM TOOL LIFE

| NAME               | DATE      |
|--------------------|-----------|
| DRAWN L. Dal Molin | 04-Apr-19 |
| CHECKED -          | -         |
| -                  | -         |
| -                  | -         |

**Littelfuse**  
 Expertise Applied | Answers Delivered

FORM NO. CVP-PE40-0013 REV A  
 FIRST ANGLE PROJECTION  
 TITLE: BATTERY MAIN SWITCH  
 SIZE: A2 DWG. NO. OL-08098700 OUTLINE REV. A  
 DO NOT SCALE DRAWING SCALE 1:1 SHEET 1 OF 1