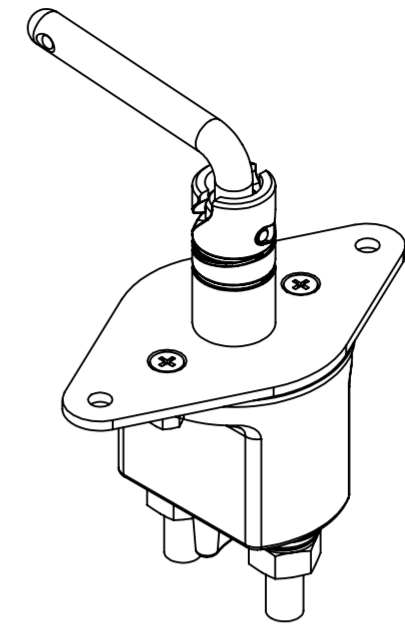
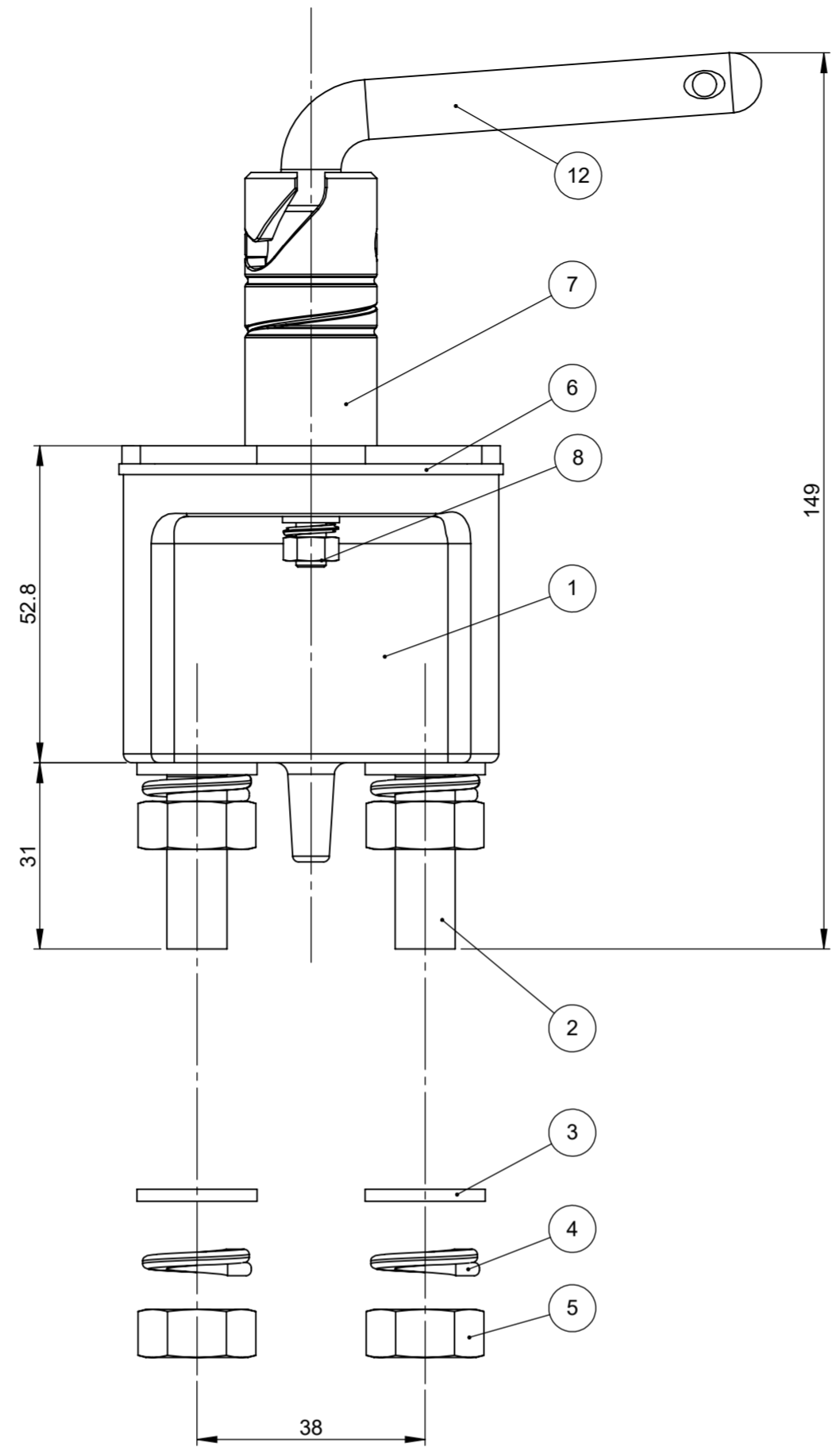
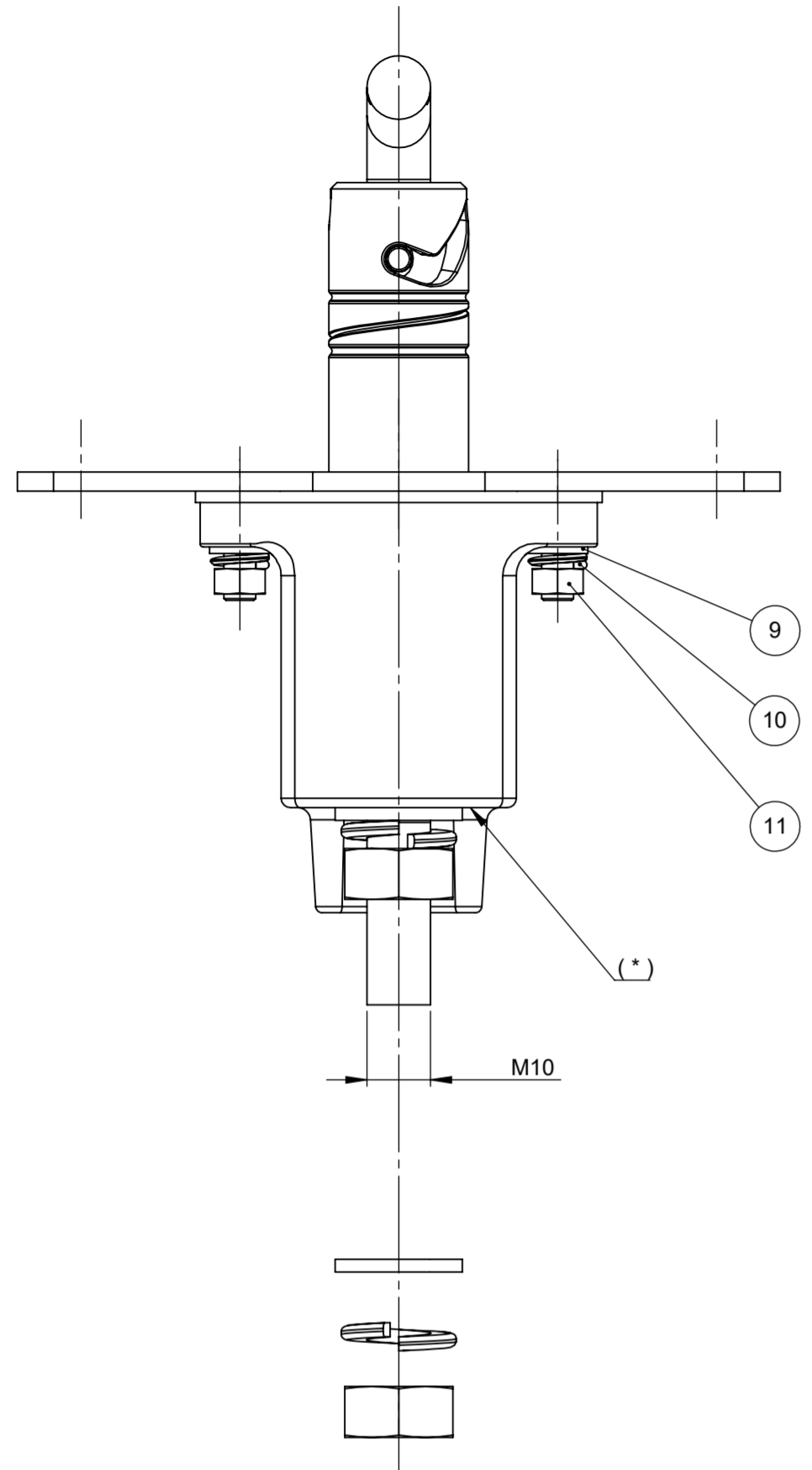


THIS DRAWING AND THE INFORMATION CONTAINED WITHIN IT ARE CONFIDENTIAL AND MAY NOT BE COPIED OR DISCLOSED WITHOUT THE WRITTEN PERMISSION OF LITTELFUSE.

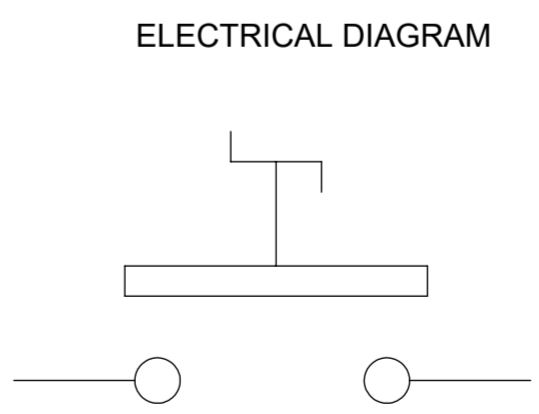
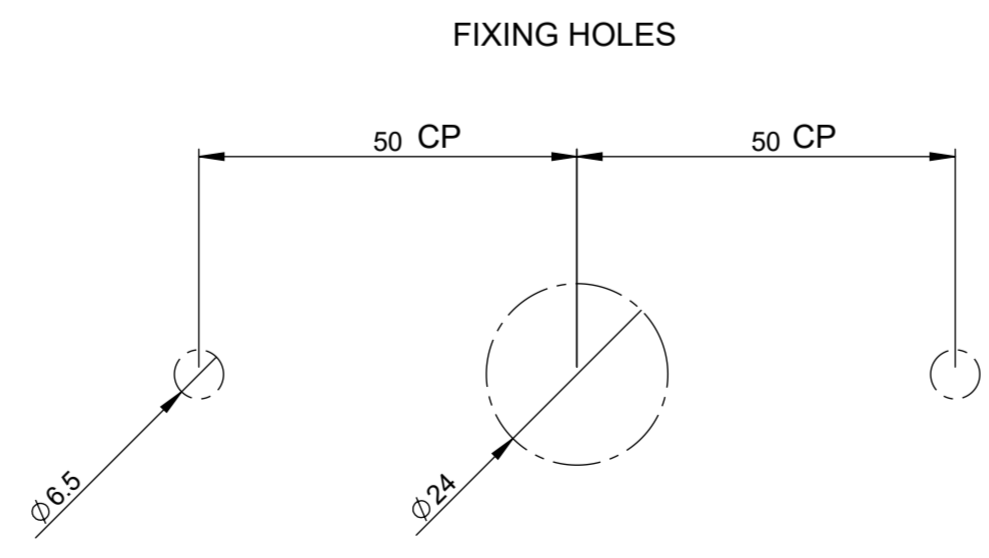
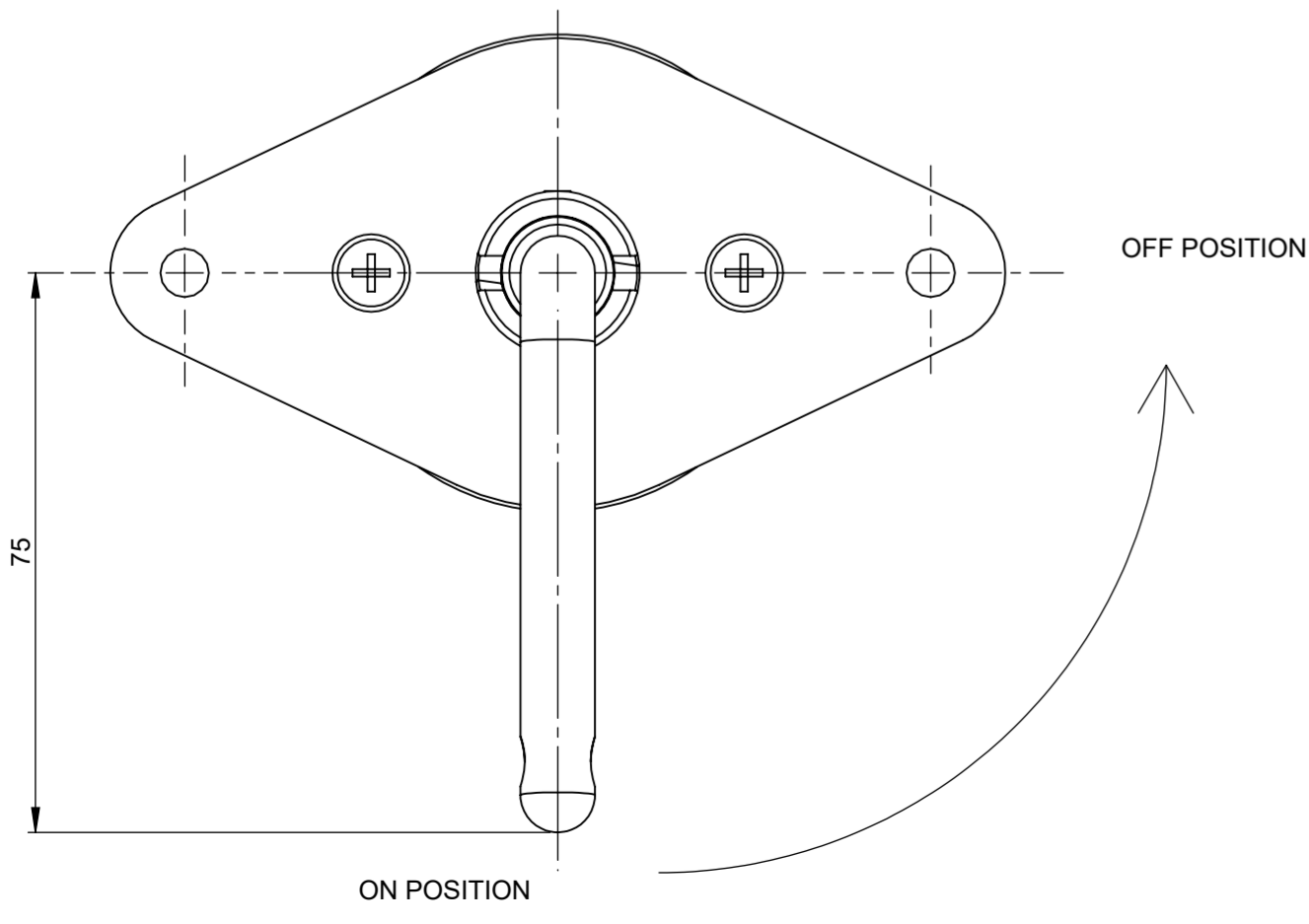
REVISIONS				
REV.	DESCRIPTION	DATE	DESIGNED	APPROVED
A	First issue of outline drawing	27-May-20	L.Dal Molin	M.Tinto



SCALE 1:2

POS.	P/N	DESCRIPTION	MATERIAL	Q.TY	U/M
12	08099800	Lever complete	Steel	1	EA
11		Nut M5	Steel	2	EA
10		Spring washer To 5	Steel	2	EA
9		Plain washer Tc 5.3x9	Steel	2	EA
8		Screw M5x20	Steel	2	EA
7		Upper body cam	Steel	1	EA
6		Gasket	Silicone rubber	1	EA
5		Nut M10	Steel	4	EA
4		Spring washer To 10	Steel	4	EA
3		Washer Te 10.5x20	Steel	4	EA
2		M10 fixed contact screw	Copper	2	EA
1		2xM10 contact holder long flame	Phenolic resin	1	EA

**PRESCRIPTIONS**  
 - ( \* ) Marking of date of manufacturing on either side  
 -Nominal voltage: 14V ± 28V  
 -Maximum direct current: 250A  
 -Maximum short time current: 2000A for 5sec at 23°C  
 -Number of electrical operations: 5000  
 -Number of mechanical operations: 5000  
 - Maximum torque of closing nuts M10 provided in the kit: 22 ± 1.1 Nm  
 -Maximum torque of closing nuts M6: 8 ± 1 Nm  
 - Torque of handle 3.5 ± 2 Nm at 23°C



SAP drawing number:  
 Material and treatments:

NAME		DATE
DRAWN	L. Dal Molin	08-Apr-19
CHECKED	-	-
-	-	-
-	-	-

**Littelfuse**  
 Expertise Applied | Answers Delivered

FORM NO: CVP-PE40-0013 REV A  
 FIRST ANGLE PROJECTION

SIZE: A2 DWG. NO. OL-08098800 OUTLINE REV. A  
 DO NOT SCALE DRAWING SCALE 1:1 SHEET 1 OF 1