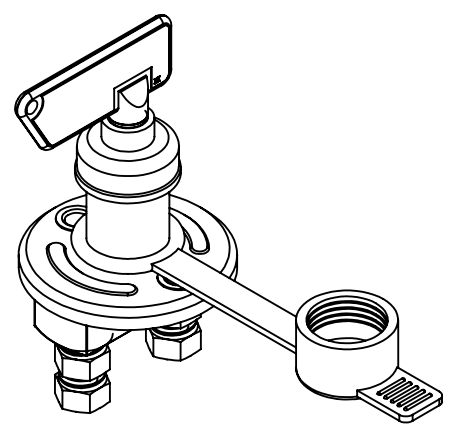
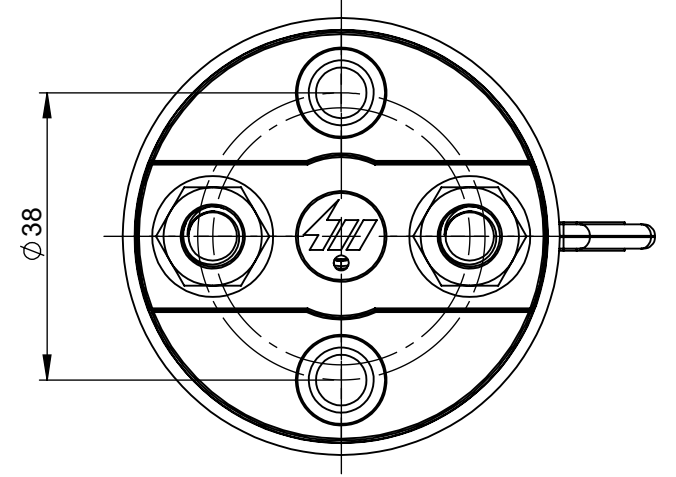
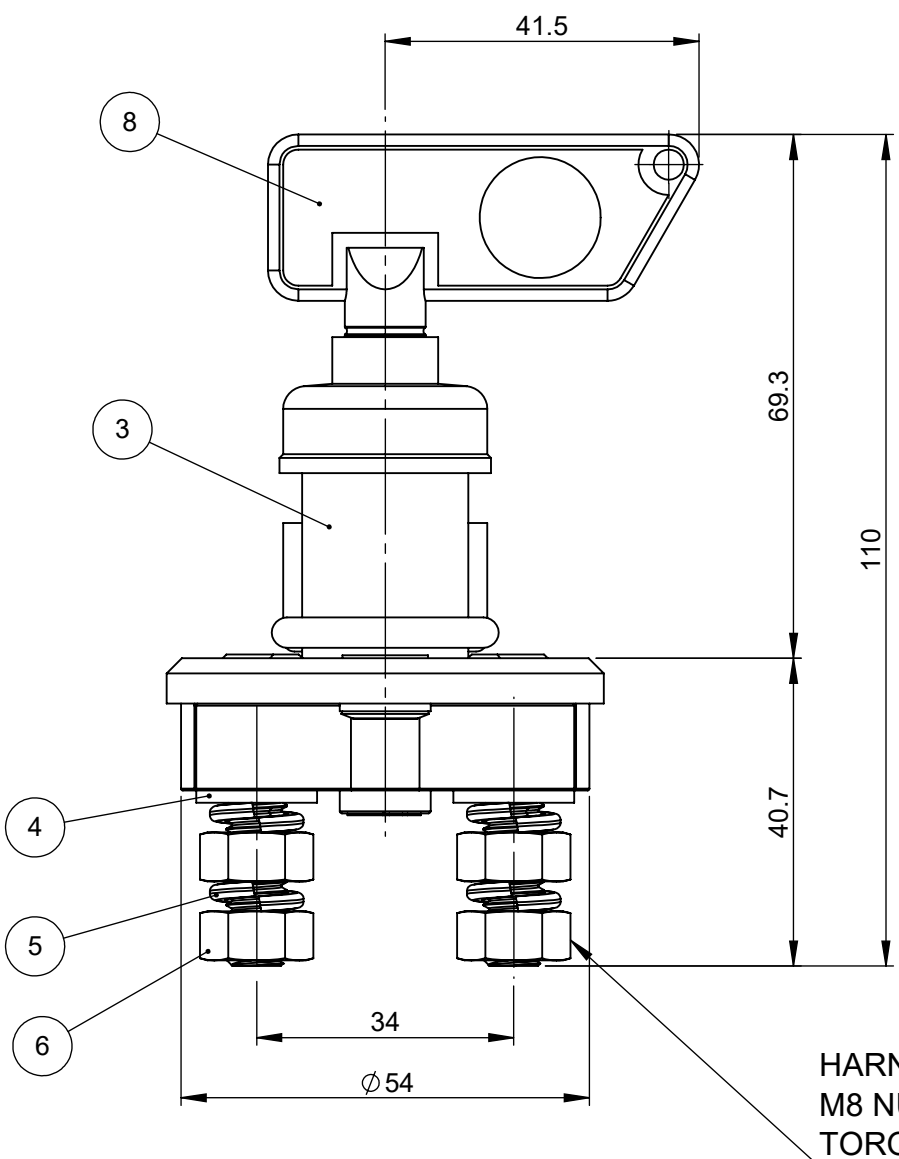


THIS DRAWING AND THE INFORMATION CONTAINED WITHIN IT ARE CONFIDENTIAL AND MAY NOT BE COPIED OR DISCLOSED WITHOUT THE WRITTEN PERMISSION OF LITTELFUSE.

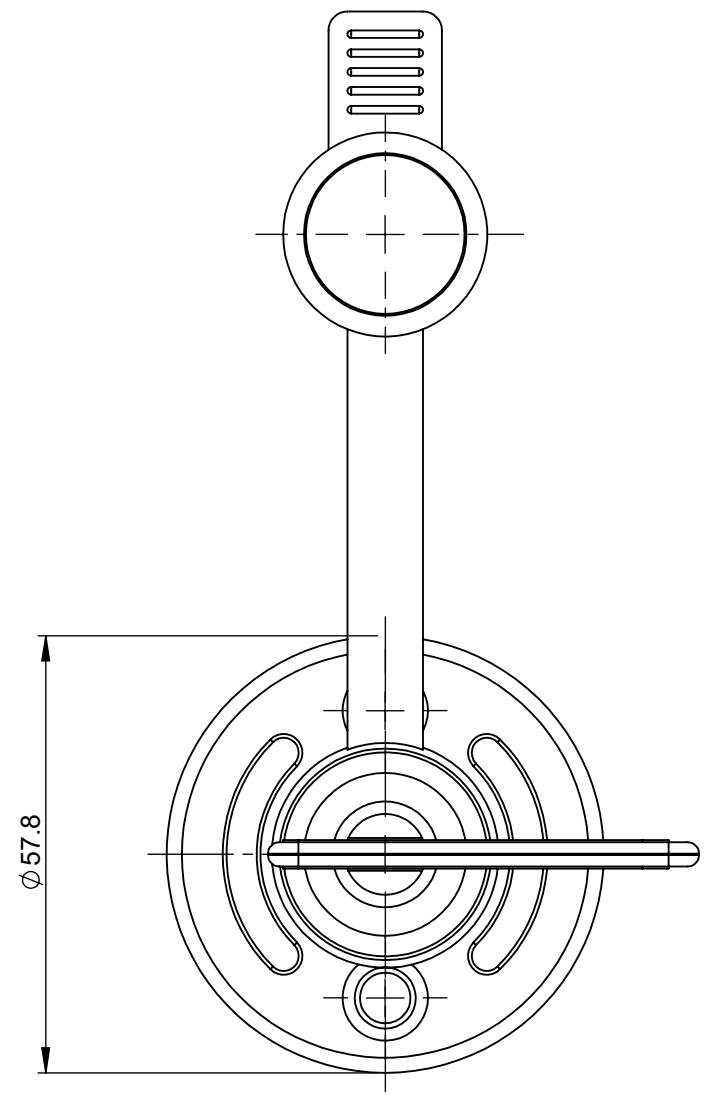
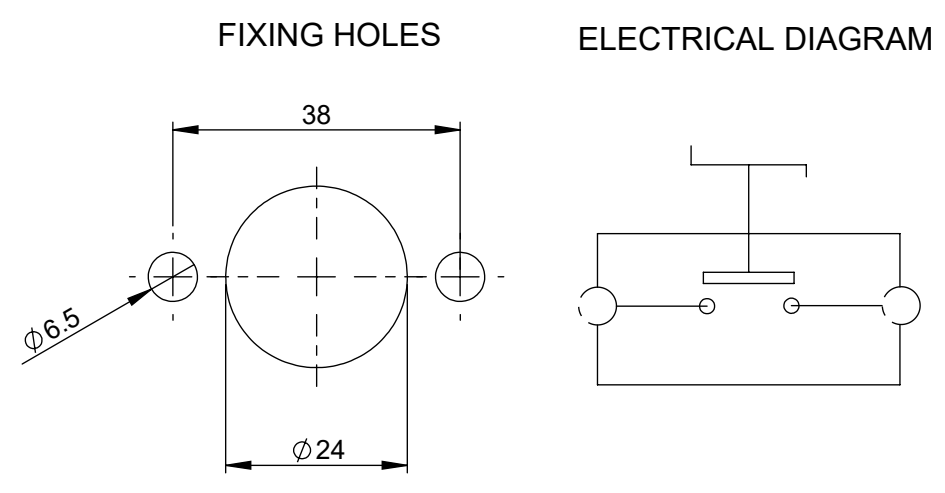
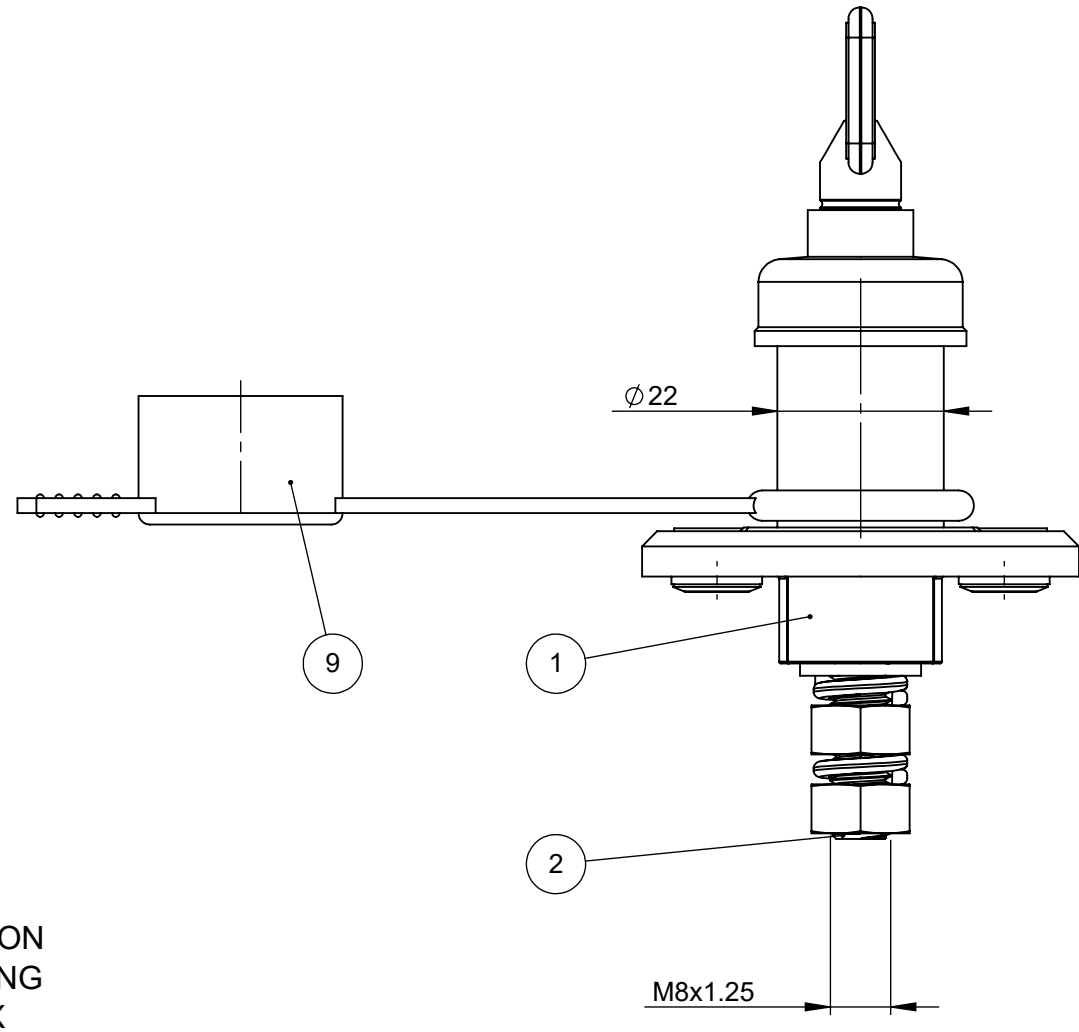
REVISIONS				
REV.	DESCRIPTION	DATE	DESIGNED	APPROVED
A	First issue of outline drawing	29-May-20	L.Dal Molin	M.Tinto



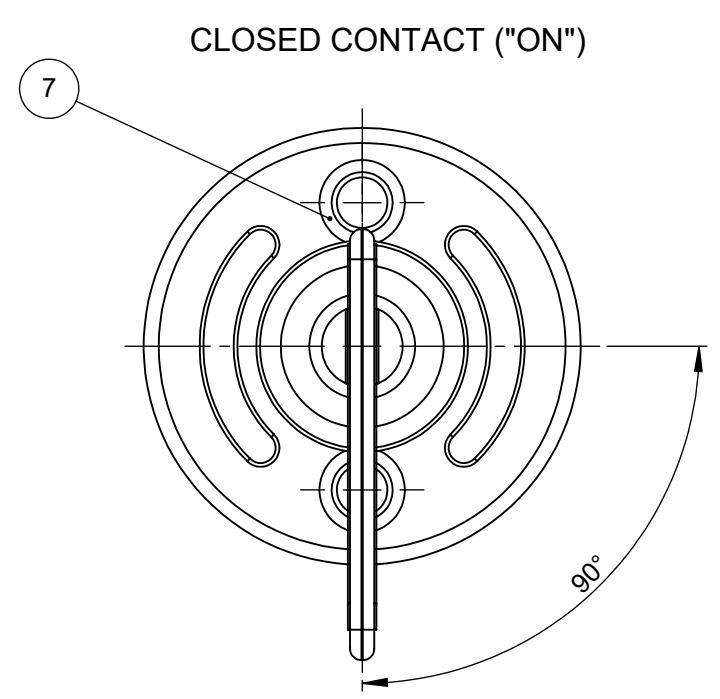
SCALE 1:2



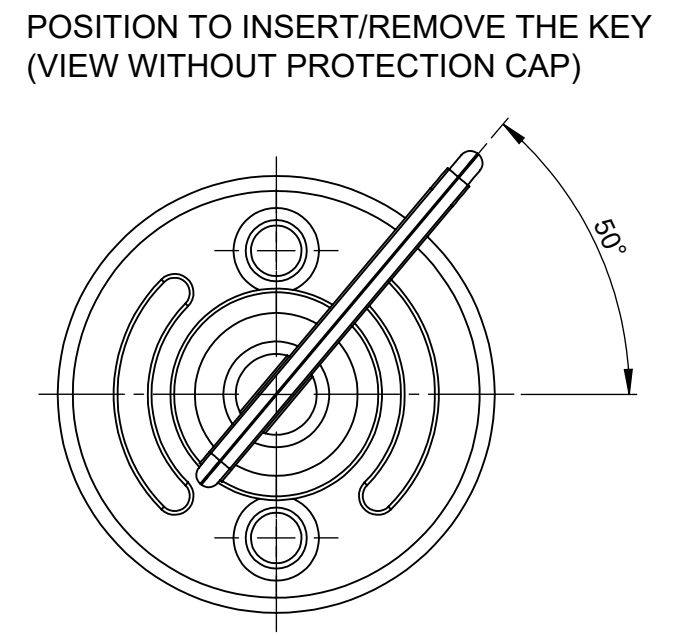
HARNESS RETENTION
M8 NUTS TIGHTENING
TORQUE: 6 Nm MAX



OPEN CONTACT ("OFF")



CLOSED CONTACT ("ON")



POSITION TO INSERT/REMOVE THE KEY
(VIEW WITHOUT PROTECTION CAP)

- FEATURES**
- Nominal voltage: 14V-28V
 - Max direct current: 100A
 - Max short time current: 500A for 5 seconds at 23±5°C
 - Number of electrical operations: 5000
 - Number of mechanical operations: 5000
 - M8 nuts tightening torque: 6±1 Nm
 - Supplying conditions: key, protection casing and cap are disassembled

ASSEMBLY KEY
To assemble the key, insert it and turn it clockwise of 50° taking the device in stated Switched OFF; to remove it, with the device in state Switched OFF turn it counterclockwise of 50° and extract it

OPERATION
-To close (switch on) the contacts: turn clockwise the key of 90°
-To open (switch off) the contacts: turn counterclockwise the key of 90°

SAP drawing number:

Material and treatments:

POS.	P/N	DESCRIPTION	MATERIAL	Q.TY	U/M
9	00603900	Cap for Bms	Thermoplastic	1	EA
8	08099900	Key complete with cap	Polyamide,brass and thermoplastic	1	EA
7		Eyelet	Iron	2	EA
6		Nut M8	Steel	4	EA
5		Spring washer To 8	Steel	4	EA
4		Washer Te 8.4x16	Steel	2	EA
3		Upper body cam double	Polyamide	1	EA
2		Power stud	Copper	2	EA
1		Lower body cont.-holder hole	Polyamide	1	EA

NAME		DATE
DRAWN	L. Dal Molin	09-Apr-19
CHECKED	-	-
Expertise Applied Answers Delivered		
FORM NO. CVP-PE40-0013 REV A		TITLE
FIRST ANGLE PROJECTION		BATTERY MAIN SWITCH IGC
SIZE: A2	DWG. NO. OL-08099000	OUTLINE REV. A
DO NOT SCALE DRAWING		