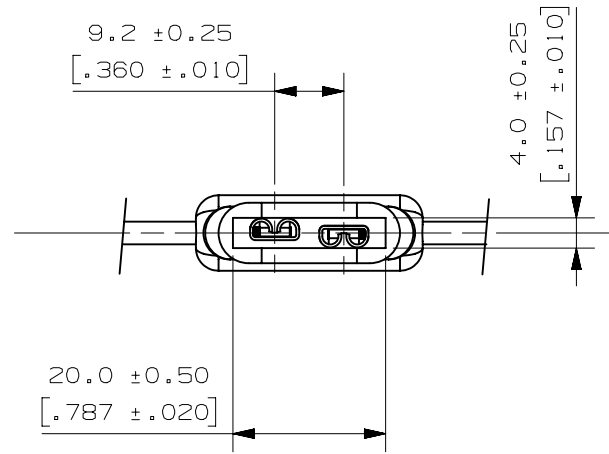
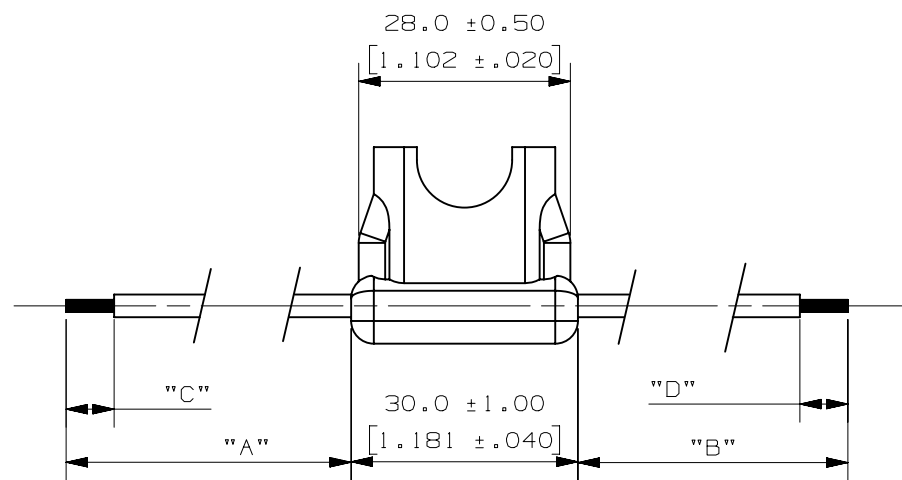


PART NUMBER	"A"	"B"	"C"	"D"	LEAD "A" COLOR	LEAD "B" COLOR	WIRE TYPE
OFHA0001ZXJ	101.6 +/- 5 (4.0)	101.6 +/- 5 (4.0)	6.35 +/- 2 (0.25)	6.35 +/- 2 (0.25)	BLACK	BLACK	16 AWG STRANDED COPPER 125C, GXL WIRE
OFHA0001ZXJA	177.8 +/- 5 (7.0)	177.8 +/- 5 (7.0)	6.35 +/- 2 (0.25)	6.35 +/- 2 (0.25)	RED	RED	16 AWG STRANDED COPPER 125C, GXL WIRE
OFHA0001ZXJB	101.6 +/- 5 (4.0)	101.6 +/- 5 (4.0)	13.0 +/- 2 (0.51)	13.0 +/- 2 (0.51)	BLACK	BLACK	16 AWG STRANDED COPPER 125C, GXL WIRE
OFHA0001ZXJD	101.6 +/- 5 (4.0)	101.6 +/- 5 (4.0)	NO STRIP	NO STRIP	BLACK	BLACK	16 AWG STRANDED COPPER 125C, GXL WIRE



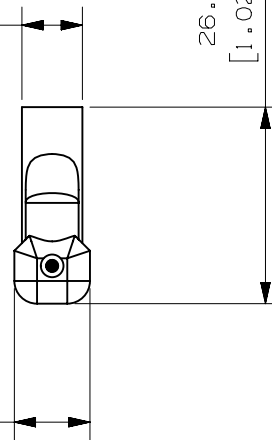
20.0 +/- 0.50  
[.787 +/- 0.020]



8.0 +/- 0.50  
[.315 +/- 0.020]

10.0 +/- 0.50  
[.394 +/- 0.020]

26.0 +/- 0.50  
[1.024 +/- 0.020]



METRIC  
ASSEMBLY

- NOTES:  
 1. HOLDER MATERIAL : BLACK TPV.  
 2. CONTACTS : COPPER ALLOY, TIN PLATED.  
 3. WIRE : 16AWG STRANDED COPPER, 125 °C RATED, GXL WIRE  
 4. CRIMP : MUST MEET SAE/USCAR 21 STANDARD.  
 5. RATING : MAX. 20A, 32VDC.  
 6. MAX. TEMP. : 105 °C.  
 7. FUSEHOLDERS SHOULD NOT BE PLACED UNDER TENSION IN FINAL APPLICATION

NO	COMPONENT NO	DESCRIPTION	QTY/M	U/M
BILL OF MATERIAL				
UNLESS OTHERWISE SPECIFIED, DIMENSIONS ARE IN MILLIMETERS. DIMENSIONS IN BRACKETS [ ] ARE INCHES				
UNLESS OTHERWISE SPECIFIED, DIMENSIONS DO NOT INCLUDE PLATING.				
⊙		DENOTES CRITICAL CHARACTERISTICS.		
CPK		DENOTES CPK DIMENSIONS, -MINIMUM CPK VALUE		
ST		DENOTES A CHARACTERISTIC THAT PROVIDES AN INDICATION OF PROCESS PERFORMANCE. PROCEDURE FOR MEASUREMENT AND TRACKING TO BE DEFINED IN LITTELFUSE INSPECTION INSTRUCTIONS		
CP		DENOTES CP DIMENSIONS, -MINIMUM CP VALUE MUST BE WITHIN THE DIMENSIONAL LIMITATIONS SHOWN ON DRAWING AND INITIALLY LOCATED TO ALLOW FOR MAXIMUM TOOL LIFE		

COPIES TO		MATL SPEC	REFER TO NOTES	
1	9			
2	10			
3	12			
4	13	DRW	DATE	SCALE
5	14		7/19/10	1:1
6	15	CHK	DATE	SUPER DR
7	16		DATE	FINISH GOOD WT
8	17		DATE	GRAMS/PIECE
18				
19				
20				
21				
22				
23				
33				
43				
53				
TOLERANCES UNLESS OTHERWISE SPECIFIED (REF. ISO 2768-FH)				
DIMENSION		0.5 - 3	UP TO OVER	UP TO OVER
TOLERANCE		+0.05	+0.05	+0.15
3RD ANGLE PROJECTION				
TITLE AUTOFUSE HOLDER IN-LINE				
LITTLEFUSE LIPA CITY, BATANGAS, PHILIPPINES				
REVISION DRWG. NO. OL-OFHA0001ZXJ				
OUTLINE				

LTR	DATE	REVISION	CHK	APD
A	7/16/07	000105ER - RELEASED DHM		
B	3/21/12	504478BERA - SEE ERN FYUE		
C	3/11/15	511660ECA - UPDATE DIMENSION TOLERANCES FYUE		
D	6/18/15	514471GCA-NEW RELEASE OFHA0001ZXJD FYUE		