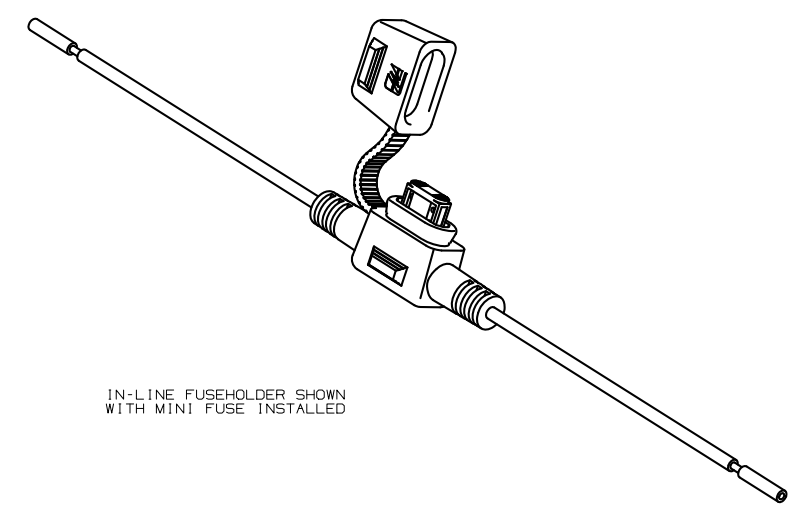
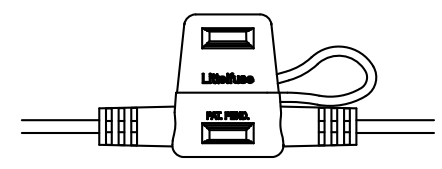
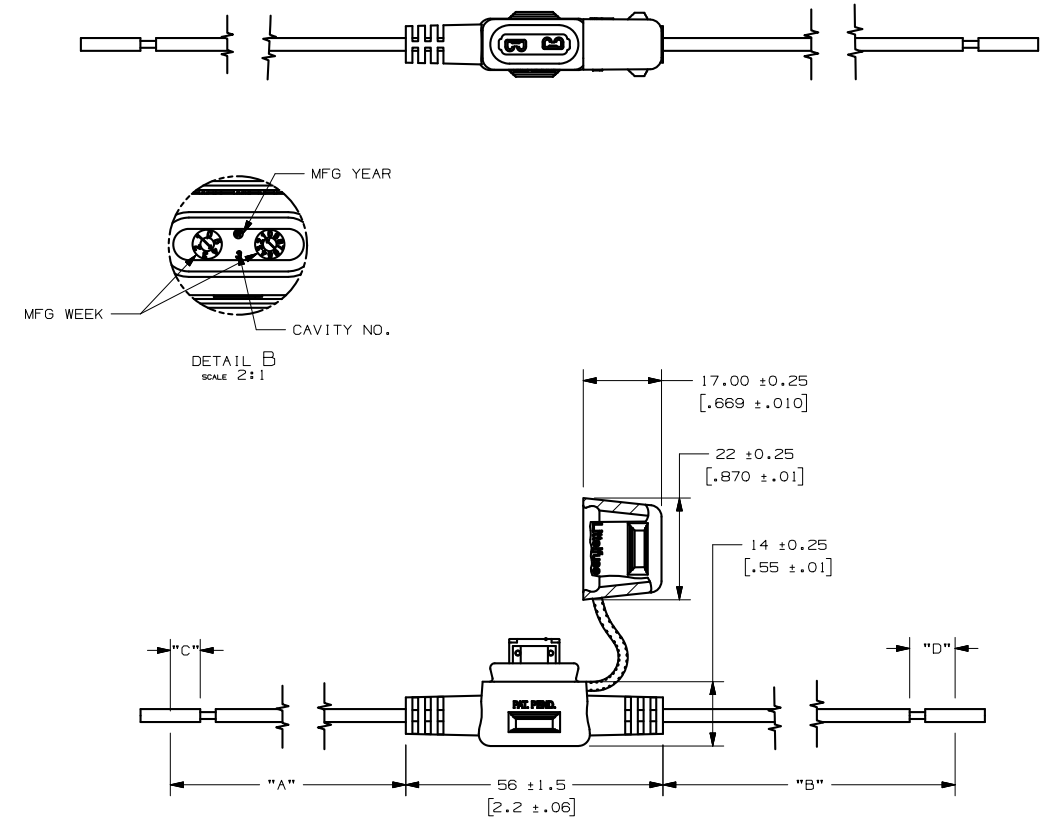


PART NUMBER	FUSEHOLDER	"A"	"B"	"C"	"D"	LEAD "A" COLOR	LEAD "B" COLOR	FUSE	WIRE SIZE
OFHM0002ZXJB-F10	OFHM0002ZXJB	167±3 [ 6.575±.12 ]	167±3 [ 6.575±.12 ]	8±2 [ .315±.08 ]	17±2 [ .67±.08 ]	ORANGE	RED	0297010.WXNV	12 AWG
OFHM0002ZXJC-F10	OFHM0002ZXJC	467±6.4 [ 18.386±.25 ]	127±3 [ 5.0±.12 ]	5.5±2 [ .22±.08 ]	15.88±2 [ .625±.08 ]	ORANGE	RED	0297010.WXNV	12 AWG
OFHM0003ZXJB-F05	OFHM0003ZXJB	93.41±5 [ 3.68±.2 ]	93.41±5 [ 3.68±.2 ]	6.35±2 [ .25±.08 ]	6.35±2 [ .25±.08 ]	BLACK	BLACK	0297005.WXNV	16 AWG
OFHM0003ZXJC-F10	OFHM0003ZXJC	322.04±5 [ 12.68±.2 ]	72.01±5 [ 2.84±.2 ]	12.70±2 [ .50±.08 ]	6.35±2 [ .25±.08 ]	BLACK	BLACK	0297010.WXNV	16 AWG
OFHM0002ZXJG-F10	OFHM0002ZXJG	110±5 [ 4.331±.2 ]	195±5 [ 7.677±.2 ]	10±2 [ .394±.08 ]	17±2 [ .67±.08 ]	ORANGE	RED	0297010.WXNV	12 AWG

LTR	DATE	REVISION	CHK	APD
A	06/30/08	000431ER - RELEASE	GMB	
B	09/10/09	000608ER - RELEASE OFHM0002ZXJG-F10	GMB	
C	06/04/09	001132EC-ON OFHM0002ZXJG AND OFHM0002ZXJG-F10, CHG. 105±5 TO 110±5, 225±5 TO 195±5, AND 8±2 TO 10±2	GMB	



IN-LINE FUSEHOLDER SHOWN WITH MINI FUSE INSTALLED

- NOTES:
- HOLDER MATERIAL: BLACK TPV 251 80W 232
  - CONTACTS: C194 COPPER ALLOY: TIN-PLATED
  - WIRE: STRANDED COPPER, 125°C RATED, GXL WIRE
  - CRIMP: MUST MEET SAE/USCAR 21 STANDARD
  - FUSEHOLDERS SHOULD NOT BE PLACED UNDER TENSION IN FINAL APPLICATION
  - MAX TEMPERATURE 125°C

UNLESS OTHERWISE SPECIFIED, DIMENSIONS ARE IN MILLIMETERS. DIMENSIONS IN BRACKETS [ ] ARE INCHES			
UNLESS OTHERWISE SPECIFIED, DIMENSIONS DO NOT INCLUDE PLATING.			
⊙	DENOTES CRITICAL CHARACTERISTICS.		
CPK	DENOTES CPK DIMENSIONS, -MINIMUM CPK VALUE		
ST	DENOTES A CHARACTERISTIC THAT PROVIDES AN INDICATION OF PROCESS PERFORMANCE. PROCEDURE FOR MEASUREMENT AND TRACKING TO BE DEFINED IN LITTELFUSE INSPECTION INSTRUCTIONS		
CP	DENOTES CP DIMENSIONS, -MINIMUM CP VALUE MUST BE WITHIN THE DIMENSIONAL LIMITATIONS SHOWN ON DRAWING AND INITIALLY LOCATED TO ALLOW FOR MAXIMUM TOOL LIFE		
COPIES TO MATL SPEC			
SEE NOTES			
FINISH			
SEE NOTES			
1	9	18	
2	10	19	
3	12	20	
4	13	21	DRW GMB DATE 06/30/08 SCALE 1:1
5	14	23	CHK DATE SUPER DR
6	15	33	
7	16	43	APPD DATE FINISH GOOD WT
8	17	53	GRAMS/PIECE
TOLERANCE UNLESS OTHERWISE SPECIFIED			
ONE PLACE DEC +/- .3		THREE PLACE DEC +/- .100	
TWO PLACE DEC +/- .15		ANGULAR +/- 1°	
3RD ANGLE PROJECTION	TITLE		
	MINI IN-LINE FUSEHOLDER		
LITTELFUSE		REVISION	DRWG. NO. SERIES OUTLINE
DES. PLAINES, ILLINOIS 60016		C	OFHM0000ZXJ-F

METRIC

CAD GENERATED DRAWING - NO PENCIL CHANGES ALLOWED