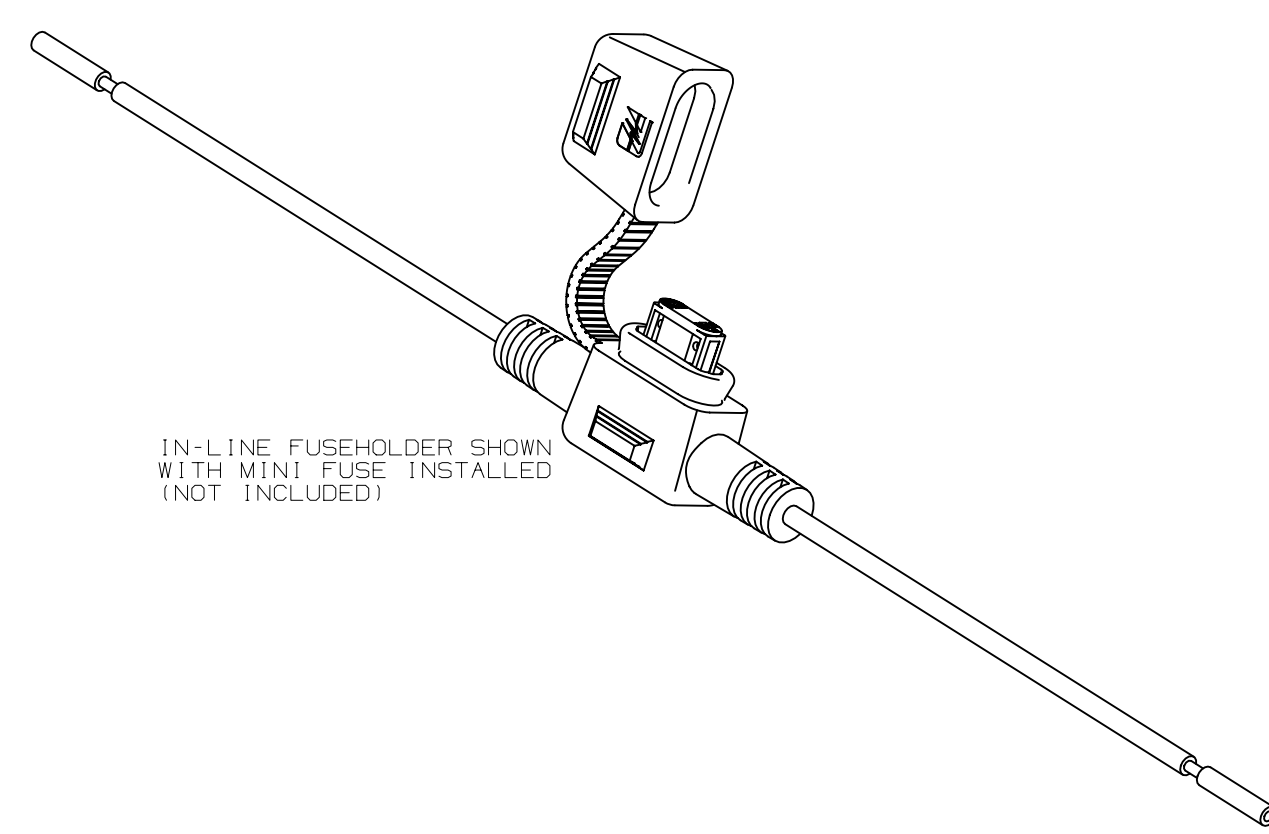
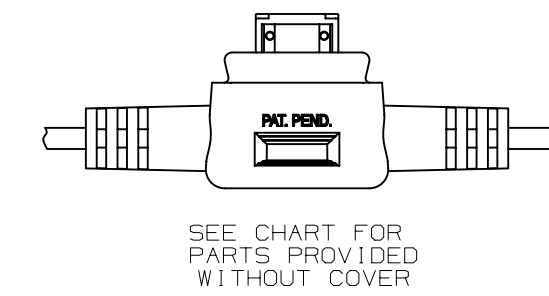
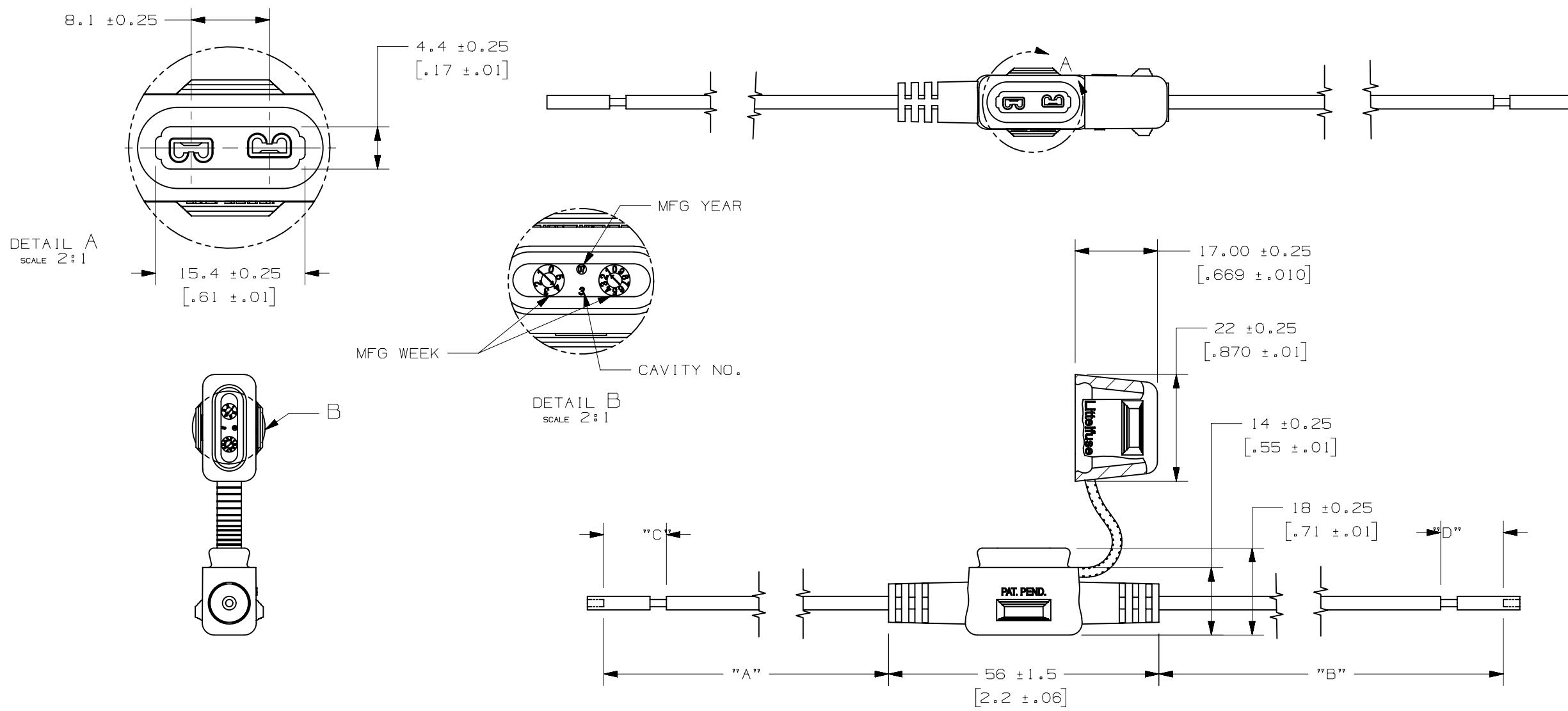


PART NUMBER	"A"	"B"	"C"	"D"	LEAD "A" COLOR	LEAD "B" COLOR	WITH COVER
OFHM0002ZXJ	94±5 [ 3.70±.2 ]	94±5 [ 3.70±.2 ]	13±2 [ .51±.08 ]	13±2 [ .51±.08 ]	ORANGE	ORANGE	YES
OFHM0002ZXJA	93.5±3 [ 3.681±.12 ]	93.5±3 [ 3.681±.12 ]	12±2 [ .472±.08 ]	6±2 [ .236±.08 ]	RED	ORANGE	YES
OFHM0002ZXJB	167±3 [ 6.575±.12 ]	167±3 [ 6.575±.12 ]	8±2 [ .315±.08 ]	17±2 [ .67±.08 ]	ORANGE	RED	YES
OFHM0002ZXJC	467±6.4 [ 18.386±.25 ]	127±3 [ 5.0±.12 ]	5.5±2 [ .22±.08 ]	15.88±2 [ .625±.08 ]	ORANGE	RED	YES
OFHM0002ZXJD	193.8±5 [ 7.236±.20 ]	183.8±5 [ 7.236±.20 ]	14.2±2 [ .56±.08 ]	14.2±2 [ .56±.08 ]	ORANGE	ORANGE	YES
OFHM0002ZXJE	203.14±5 [ 7.998±.20 ]	203.14±5 [ 7.998±.20 ]	N/A	N/A	ORANGE	ORANGE	NO
OFHM0002ZXJF	60±5 [ 2.362±.20 ]	60±5 [ 2.362±.20 ]	10±2 [ .394±.08 ]	10±2 [ .394±.08 ]	ORANGE	ORANGE	YES
OFHM0002ZXJG	110±5 [ 4.331±.20 ]	195±5 [ 7.677±.20 ]	10±2 [ .394±.08 ]	17±2 [ .669±.08 ]	ORANGE	RED	YES
OFHM0002ZXJH	82.5±5 [ 3.25±.20 ]	82.5±5 [ 3.25±.20 ]	6.35±2 [ .25±.08 ]	6.35±2 [ .25±.08 ]	GRAY	GRAY	YES
OFHM0002ZXJK	114.3±5 [ 4.5±.20 ]	114.3±5 [ 4.5±.20 ]	6.35±2 [ .25±.08 ]	6.35±2 [ .25±.08 ]	GRAY	GRAY	YES
OFHM0002ZXJL	93.5±3 [ 3.681±.12 ]	93.5±3 [ 3.681±.12 ]	12.2±2 [ .48±.08 ]	12.2±2 [ .48±.08 ]	RED	ORANGE	YES
OFHM0002ZXJM	94±5 [ 3.70±.2 ]	94±5 [ 3.70±.2 ]	10±2 [ .394±.08 ]	6±2 [ .236±.08 ]	ORANGE	ORANGE	YES
OFHM0002ZXJN	94±5 [ 3.70±.2 ]	94±5 [ 3.70±.2 ]	N/A	N/A	ORANGE	ORANGE	YES
OFHM0002ZXJP	94±5 [ 3.70±.2 ]	94±5 [ 3.70±.2 ]	6.30±2 [ .25±.08 ]	6.30±2 [ .25±.08 ]	ORANGE	ORANGE	YES
OFHM0002ZXJR	190.5±5 [ 7.50±.2 ]	60±5 [ 2.36±.2 ]	8±2 [ .32±.08 ]	N/A	ORANGE	ORANGE	YES

LTR	DATE	REVISION	CHK	APD
A	03/29/07	63207 - RELEASE	BRK	
B	06/06/07	85498D - CHG TOL FROM ±1 TO ±1.5, CHG NOTE 6	BRK	
C	07/24/07	85549D - CHG TO CHARTED DRAWING, HOUSING HEIGHT TO 18.0 AND STRIP TOLERANCE TO ±2.	BRK	
D	08/15/07	000138ER - ADD OFHM0002ZXJA, OFHM0002ZXJB, AND OFHM0002ZXJC.	BRK	
E	11/02/07	000283EC - CHG. STRIP TOL FOR ZXJA-ZXJC, CHG DIM "B" FOR ZXJC TO 127mm	GMB	
F	09/19/08	000498ER - RELEASE OFHM0002ZXJD AND OFHM0002ZXJE	GMB	
G	12/22/08	000562ER - RELEASE OFHM0002ZXJF	GMB	
H	03/10/09	000608ER - RELEASE OFHM0002ZXJG	GMB	
J	03/25/09	001066EC - CHG STRIP LENGTH FROM 6 TO 10 (DIM C & D)	GMB	
K	06/04/09	001132EC - ON OFHM0002ZXJG AND OFHM0002ZXJG-F10, CHG. 105±5 TO 110±5, 225±5 TO 195±5, AND 8±2 TO 10±2	GMB	
L	01/08/10	SAB9 - ADDED VIEW WITHOUT COVER ADDED COLUMN "WITH COVER"	GMB	
M	05/26/11	502465ERA - RELEASE OFHM0002ZXJH	RLDJ	
N	09/16/11	503221ERA - RELEASE OFHM0002ZXJK	RLDJ	
P	06/21/12	505292ERA - RELEASED OFHM0002ZXJL	FYUE	
R	03/02/15	511596ERA - RELEASED OFHM0002ZXJM	FYUE	
S	04/30/15	511837ECA - REMOVE MODEL NAME OF HOLDER MATERIAL	FYUE	
T	07/Sep/15	514860GCA - RELEASED OFHM0002ZXJN	FYUE	
U	15/Oct/15	515041GCA - RELEASED OFHM0002ZXJP	FYUE	
V	18/Oct/18	520282GCC - RELEASED OFHM0002ZXJR	FYUE	



- NOTES:
- HOLDER MATERIAL: BLACK TPV, UL 94V-0
  - CONTACTS: COPPER ALLOY: TIN-PLATED
  - WIRE: 12 AWG STRANDED COPPER, 125°C RATED, GXL WIRE
  - CRIMP: MUST MEET SAE/USCAR 21 STANDARD
  - RATING: MAX. 30A, 32Vdc
  - FUSEHOLDERS SHOULD NOT BE PLACED UNDER TENSION IN FINAL APPLICATION
  - MAX TEMPERATURE 125°C

UNLESS OTHERWISE SPECIFIED, DIMENSIONS ARE IN MILLIMETERS. DIMENSIONS IN BRACKETS [ ] ARE INCHES			
UNLESS OTHERWISE SPECIFIED, DIMENSIONS DO NOT INCLUDE PLATING.			
⊙	DENOTES CRITICAL CHARACTERISTICS.		
CPK	DENOTES CPK DIMENSIONS, -MINIMUM CPK VALUE		
⊙ST	DENOTES A CHARACTERISTIC THAT PROVIDES AN INDICATION OF PROCESS PERFORMANCE. PROCEDURE FOR MEASUREMENT AND TRACKING TO BE DEFINED IN LITTELFUSE INSPECTION INSTRUCTIONS		
CP	DENOTES CP DIMENSIONS, -MINIMUM CP VALUE MUST BE WITHIN THE DIMENSIONAL LIMITATIONS SHOWN ON DRAWING AND INITIALLY LOCATED TO ALLOW FOR MAXIMUM TOOL LIFE		
COPIES TO	MATL SPEC	SEE NOTES	
1 9 18	FINISH	SEE NOTES	
2 10 19	DRW	BRK	DATE 03/29/07
3 12 20	SCALE	1:1	
4 13 21	CHK	DATE	SUPER DR
5 14 23	APPD	DATE	FINSH GOOD WT
6 15 33			GRAMS/PIECE
7 16 43	TOLERANCE UNLESS OTHERWISE SPECIFIED		
8 17 53	ONE PLACE DEC	±.3	THREE PLACE DEC ±.100
	TWO PLACE DEC	±.15	ANGULAR ±.1°
3RD ANGLE PROJECTION	TITLE	MINI IN-LINE FUSEHOLDER	
Littelfuse	REVISION	DRWG. NO.	OUTLINE
DES PLAINES, ILLINOIS 60016	V	01-OFHM0002ZXJ	

METRIC

CAD GENERATED DRAWING - NO PENCIL CHANGES ALLOWED