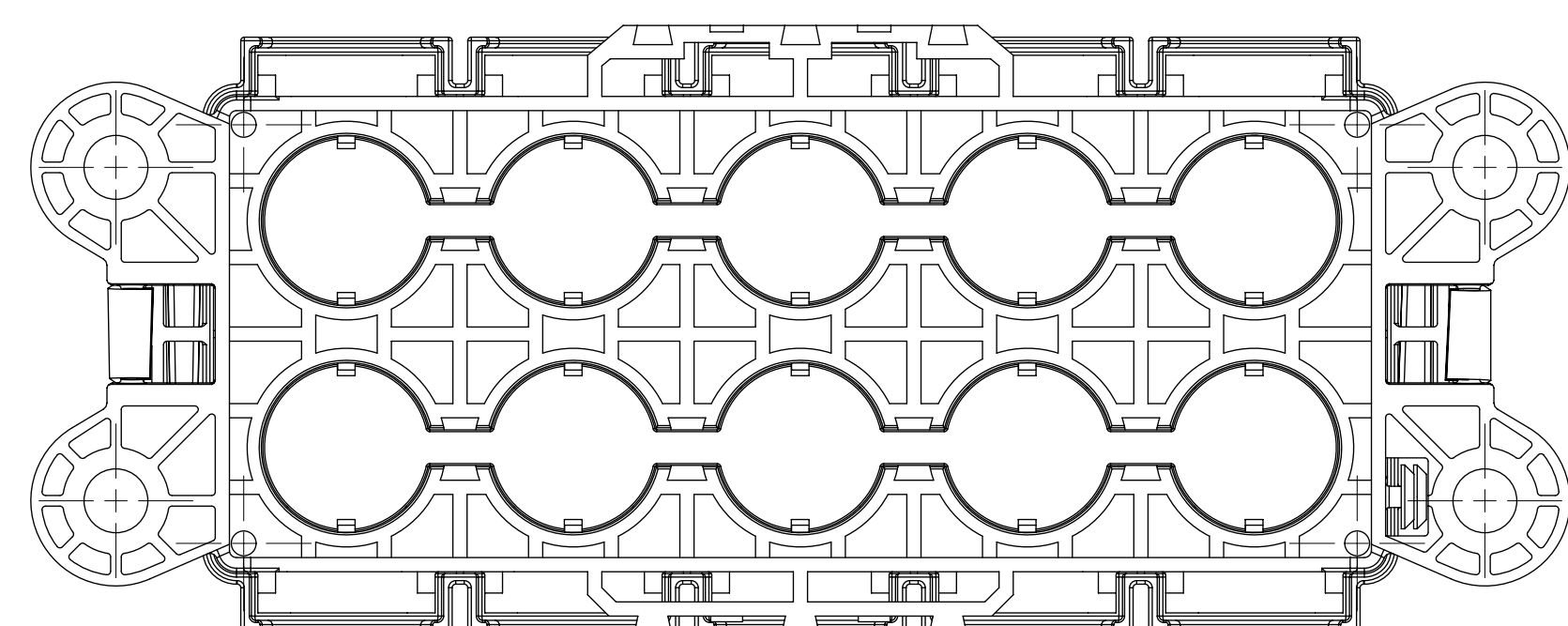
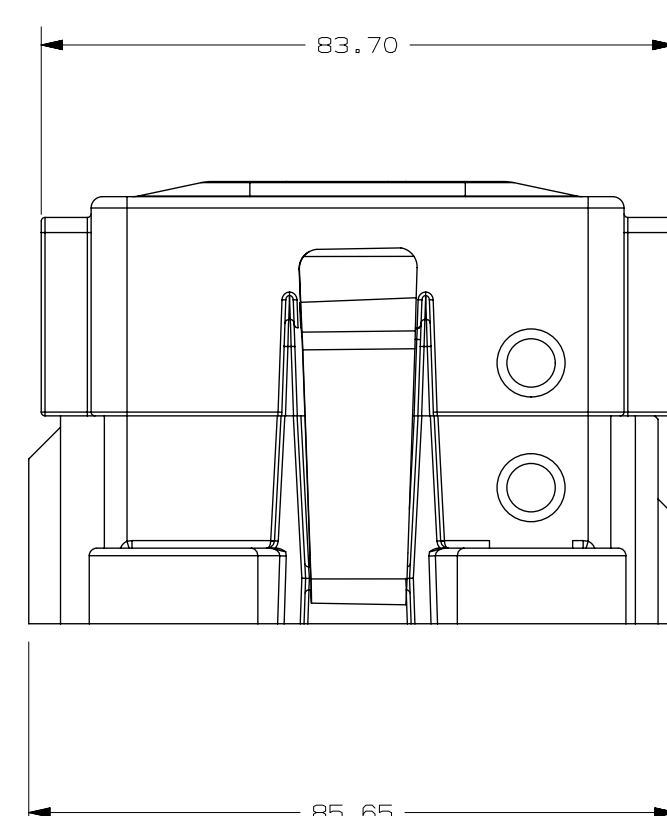
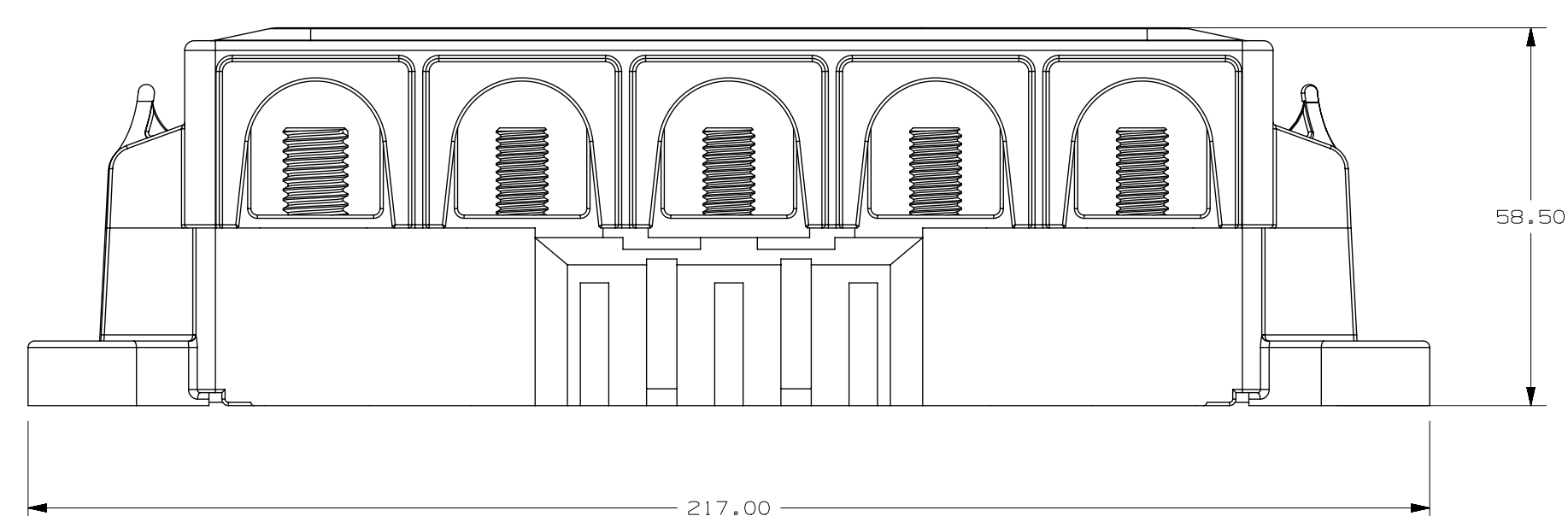
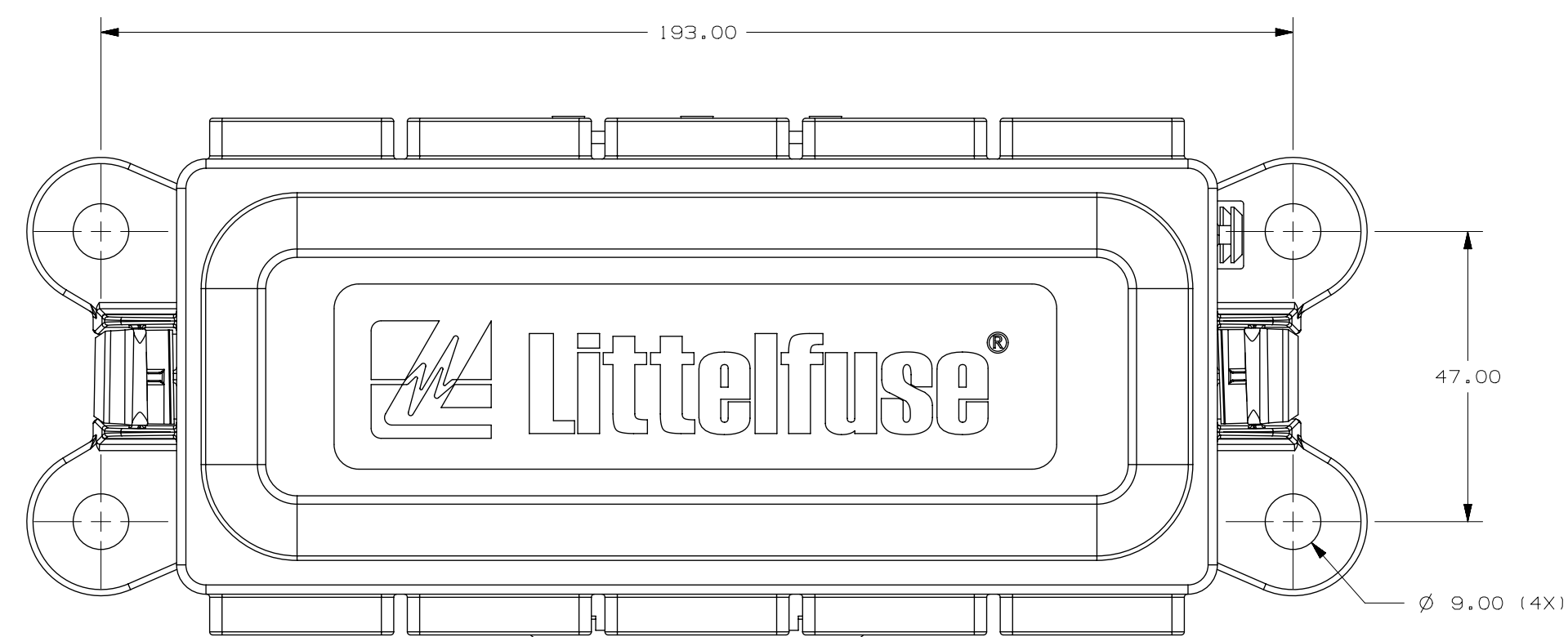
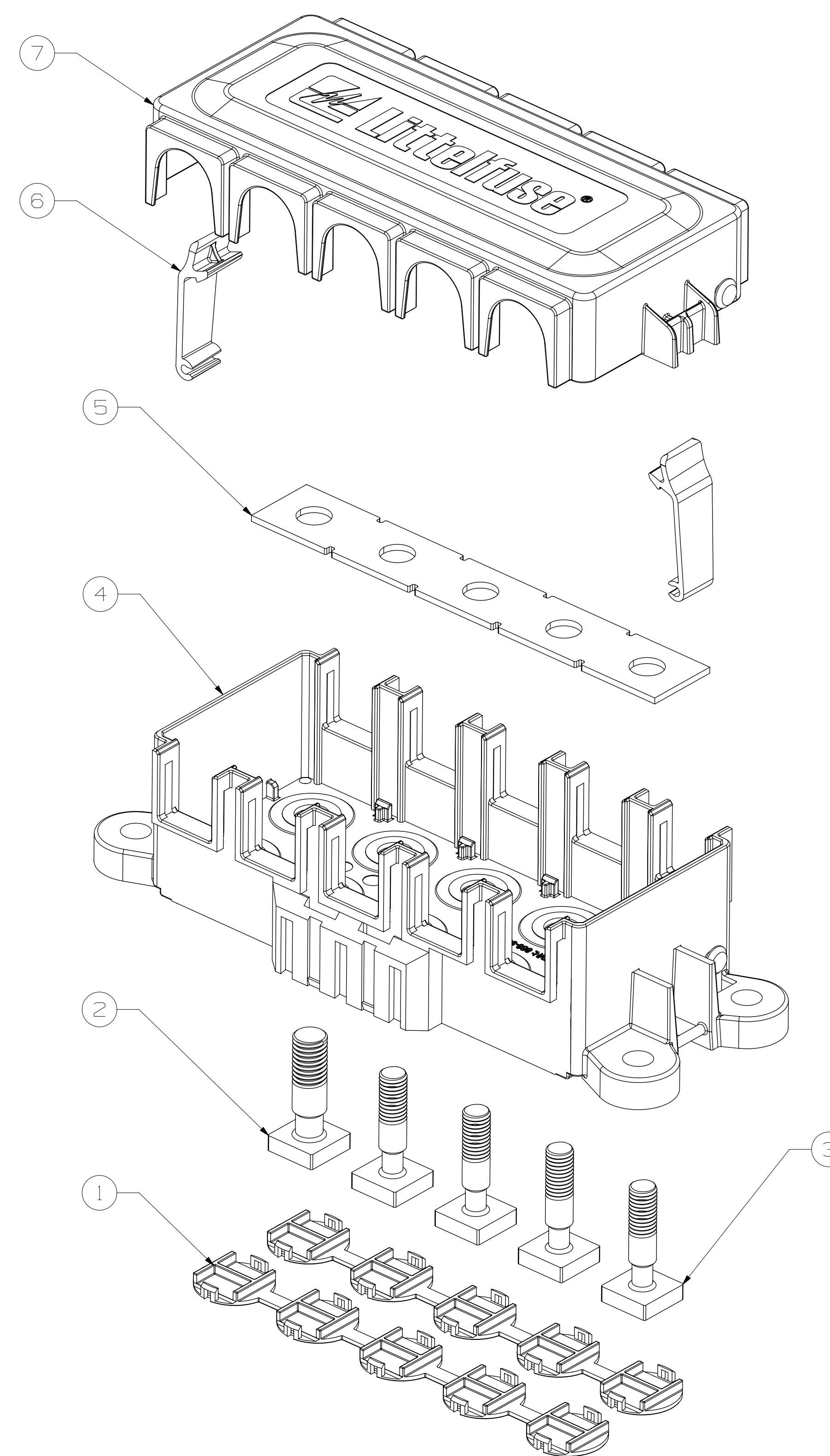


| LTR | DATE | REVISION | CHK | APD |
|-----|-----------|-----------------------|------|-----|
| A | 26/JUN/18 | 519497GCC-NEW RELEASE | FYUE | |
| | | | | |
| | | | | |
| | | | | |
| | | | | |
| | | | | |
| | | | | |
| | | | | |
| | | | | |
| | | | | |



- NOTES:
- MATERIALS:
 BASE/COVER: BLACK FR30
 BUS BAR: C1100 Sn PLATED
 STUD: STEEL Zn/Fe ALLOY PLATED
 BOTTOM CAP: BLUE PA66
 LATCH: YELLOW POM
 - MAX. MAIN INPUT: 400A
 - OPERATING TEMPERATURE RANGE: -40°C TO 85°C
 - MB MOUNTING TORQUE: 10±2 Nm
 - MAX. WIRE SIZE: 10S sqmm OR AWG 4/0.



| NO | COMPONENT NO | DESCRIPTION | QTY/M | U/M |
|----|--------------|-------------|-------|-----|
| 7 | 873-716 | COVER | 1 | EA |
| 6 | 883-088 | LATCH | 2 | EA |
| 5 | 882-869-5 | BUS BAR | 5 | EA |
| 4 | 868-967 | BASE | 1 | EA |
| 3 | 908-067 | MB STUD | 4 | EA |
| 2 | 908-068 | MIO STUD | 1 | EA |
| 1 | 883-094 | BOTTOM CAP | 2 | EA |
| | | | | |

| COPIES TO | | MATE SPEC | | SEE NOTE | |
|---|-------------------------------|-----------|----------|-----------|---------------|
| 1 | 9 18 | | | | |
| 2 | 10 19 | | | | |
| 3 | 12 20 | | | | |
| 4 | 13 21 | DRW | FYUE | DATE | 26/JUN/18 |
| 5 | 14 23 | CHK | | DATE | SUPER DR |
| 6 | 15 33 | | | | |
| 7 | 16 43 | APPD | | DATE | FINSH GOOD WT |
| 8 | 17 53 | | | | |
| TOLERANCES UNLESS OTHERWISE SPECIFIED (REF. ISO 2768-PT1) | | | | | |
| DIMENSION | 0,5 - 3 | 3 - 6 | 6 - 30 | 30 - 120 | 120 - 400 |
| TOLERANCE | +0,1 | +0,1 | +0,2 | +0,3 | +0,5 |
| 3RD ANGLE PROJECTION | | | | | |
| TITLE | UNSEALED 4-WAY ZCASE FUSE BOX | | | | |
| METRIC ASSEMBLY | Littelfuse | | REVISION | DRWG. NO. | OUTLINE |
| | | | A | OFHZ0001Z | |

METRIC ASSEMBLY



REVISION: A
 DRWG. NO.: OFHZ0001Z
 OUTLINE

CAD GENERATED DRAWING - NO PENCIL CHANGES ALLOWED