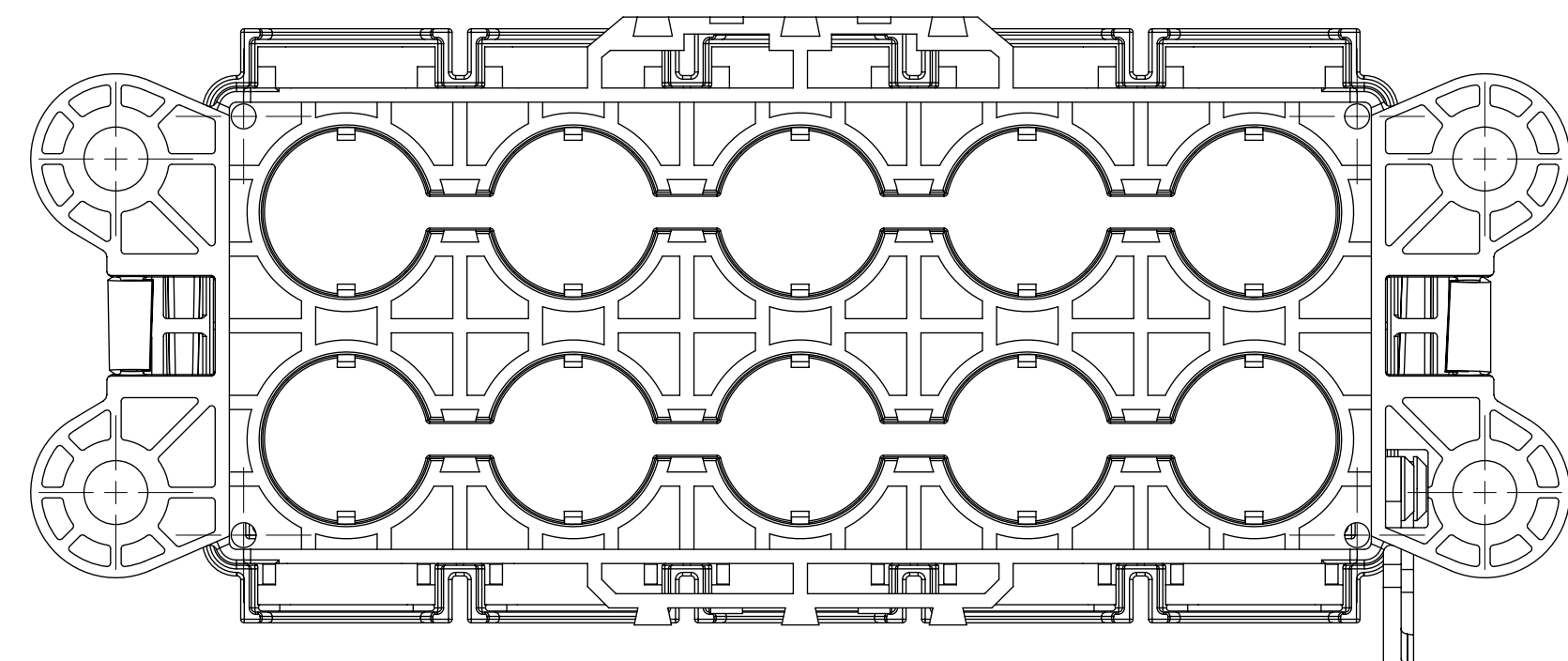
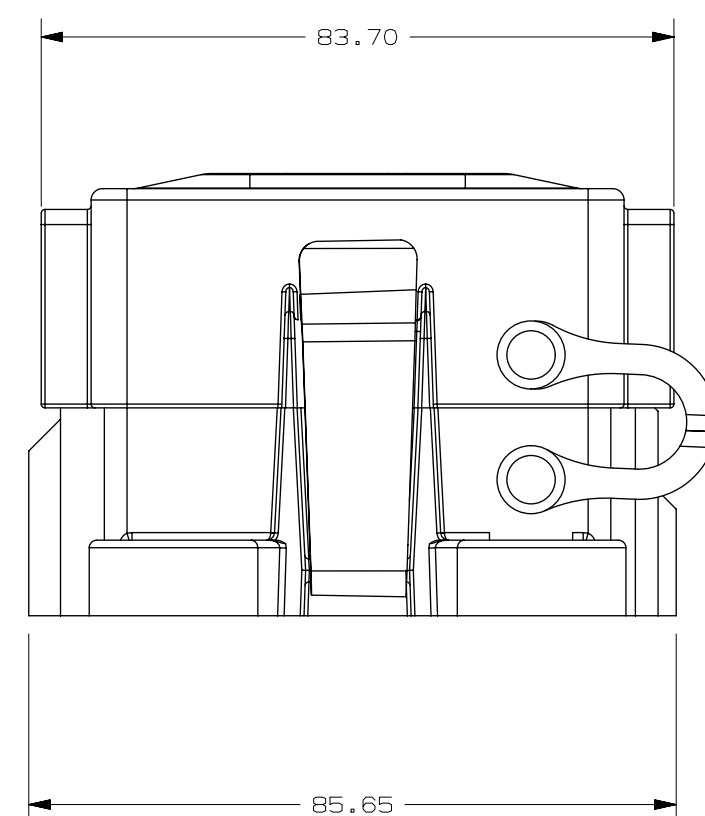
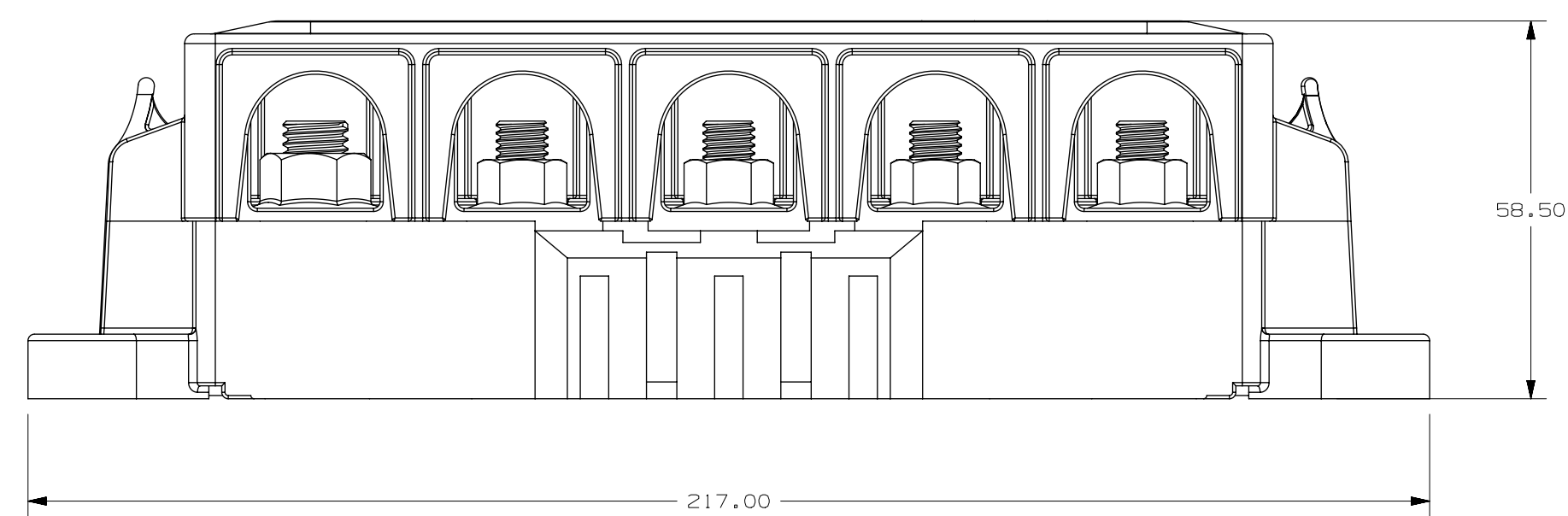
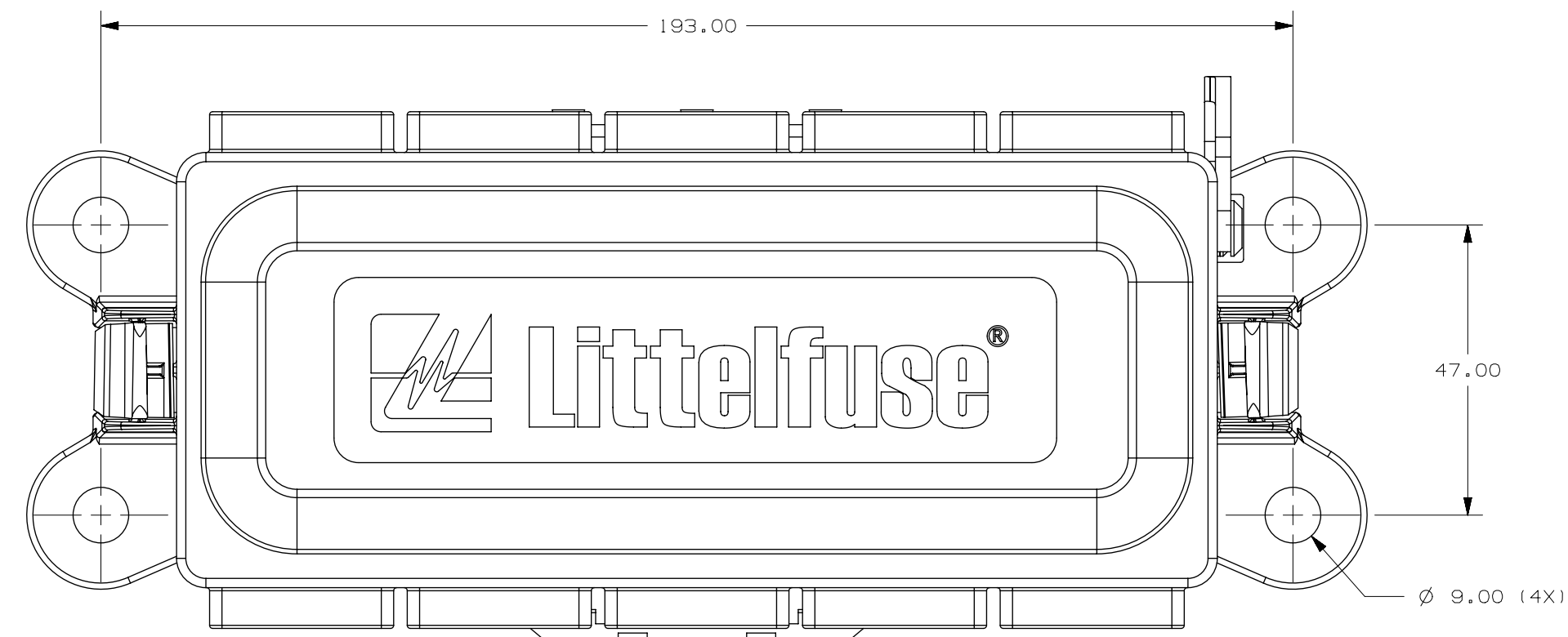


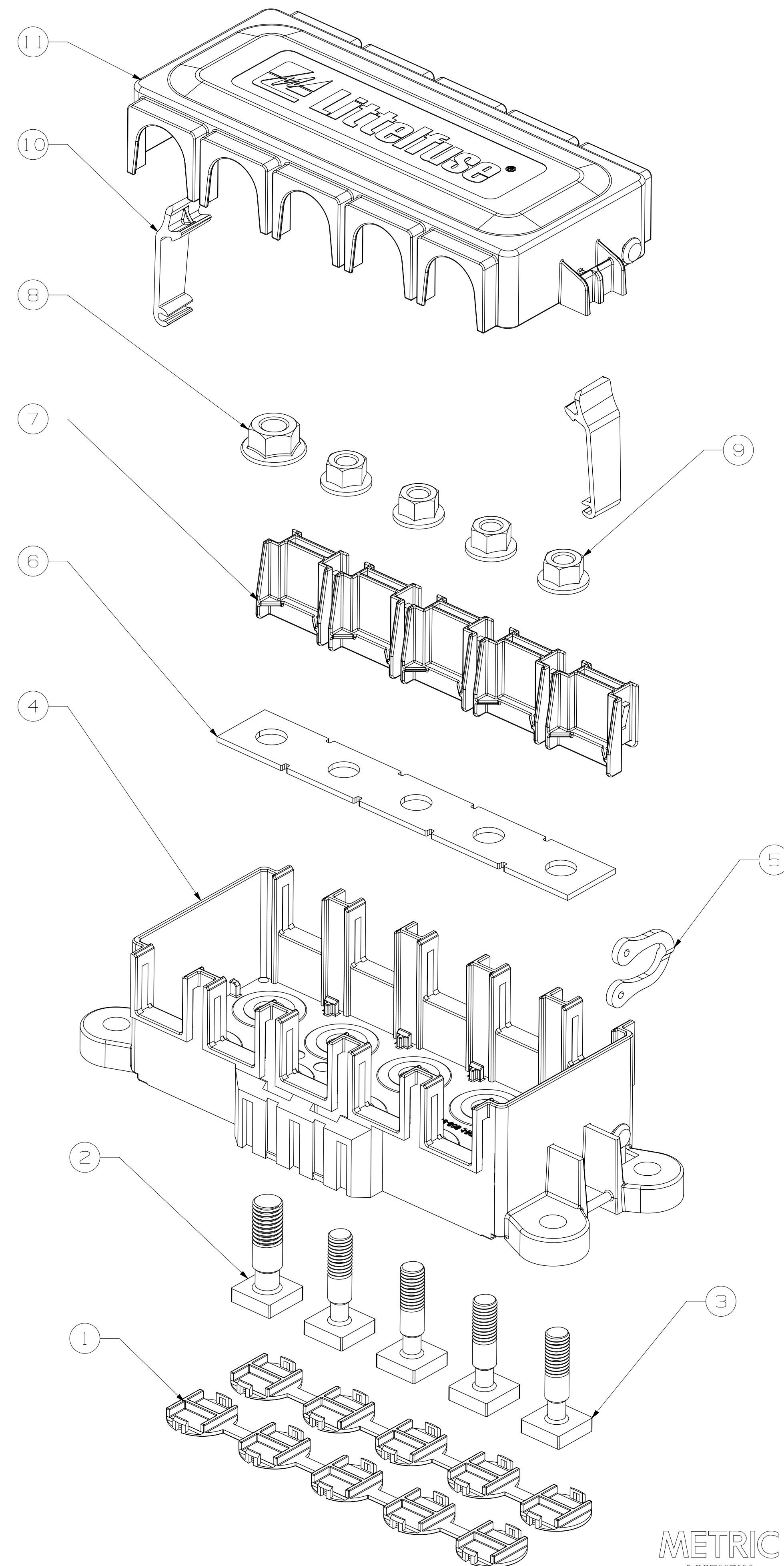
PART NUMBER	WITH BOX
OFHZ0002Z	NONE
OFHZ0002Z-BX	CA-606



NOTES:

1. MATERIALS:
 BASE/COVER: BLACK FR530
 BUS BARR: C1100 Sn PLATED
 TETHER: BLACK SILICON RUBBER
 DUST COVER: GREEN SILICON RUBBER
 STUD: STEEL Zn/Pb ALLOY PLATED
 BOTTOM CAP: BLUE PA66
 LATCH: YELLOW POM
 FLANGE NUT: STAINLESS STEEL
2. MAX. MAIN INPUT: 400A
3. OPERATING TEMPERATURE RANGE: -40°C TO 85°C
4. MB MOUNTING TORQUE: 10±2 Nm
5. MAX. WIRE SIZE 105 sqmm OR AWG 4/D.

LTR	DATE	REVISION	CHK	APD
A	26/Jun/18	5184976CC-NEW RELEASE	FYUE	



NO	COMPONENT NO	DESCRIPTION	QTY/M	U/M
11	873-716	COVER	1	EA
10	883-088	LATCH	2	EA
9	980003760	MB NUT	4	EA
8	890000670	M10 NUT	1	EA
7	901-520	DUST COVER	5	EA
6	882-869-5	BUS BAR	1	EA
5	890009470	TETHER	1	EA
4	868-967	BASE	1	EA
3	908-067	MB STUD	4	EA
2	908-068	M10 STUD	1	EA
1	883-094	BOTTOM CAP	2	EA

COPIES TO		MATE SPEC		SEE NOTE	
1	9 18				
2	10 19				
3	12 20				
4	13 21	DRW	FYUE	DATE	26/Jun/18
5	14 23	CHK		DATE	SUPER DR
6	15 33	APPD		DATE	FINSH GOOD WT
7	16 43				
8	17 53				
TOLERANCES UNLESS OTHERWISE SPECIFIED (REF. ISO 2768-PT1)					
DIMENSION	0,5 - 3	3 - 6	6 - 30	30 - 120	120 - 400
TOLERANCE	+0,1	+0,1	+0,2	+0,3	+0,5
3RD ANGLE PROJECTION					
TITLE	UNSEALED 4-WAY ZCAGE FUSE BOX				
METRIC ASSEMBLY					REVISION DRWG. NO. OUTLINE A OFHZ0002Z

CAD GENERATED DRAWING - NO PENCIL CHANGES ALLOWED