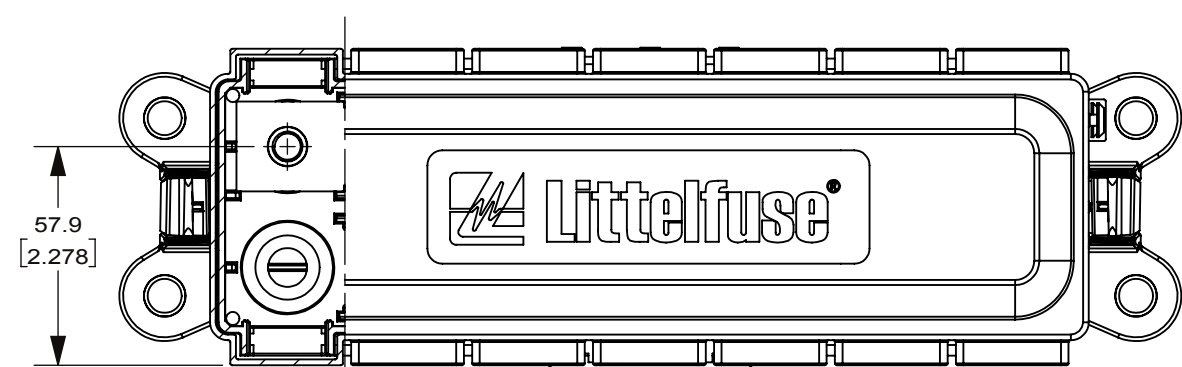
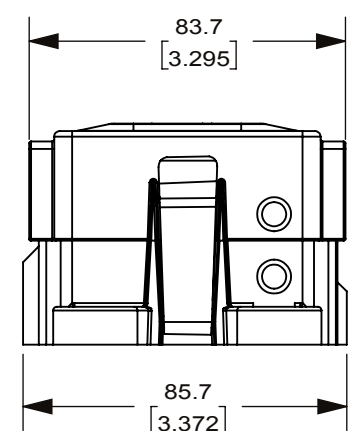
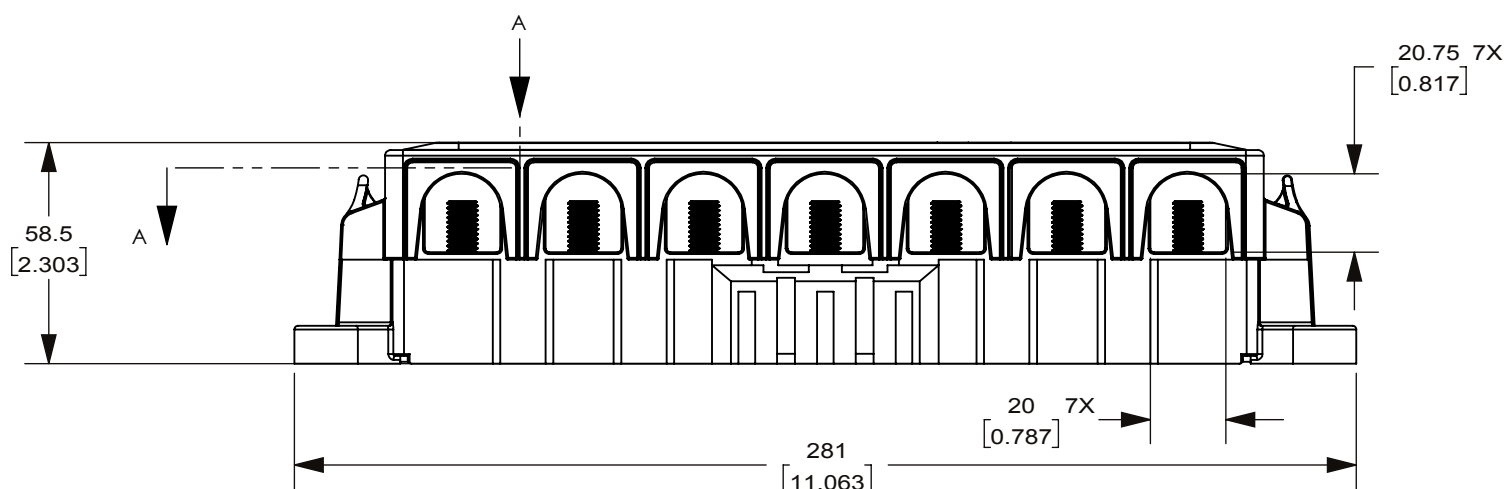
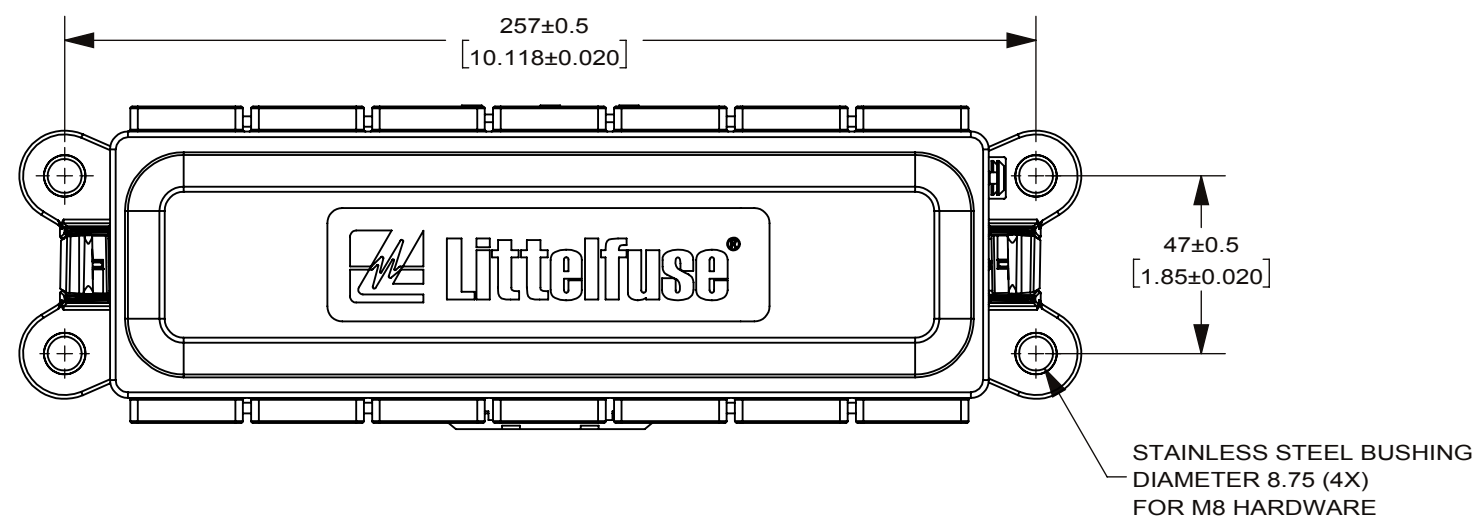
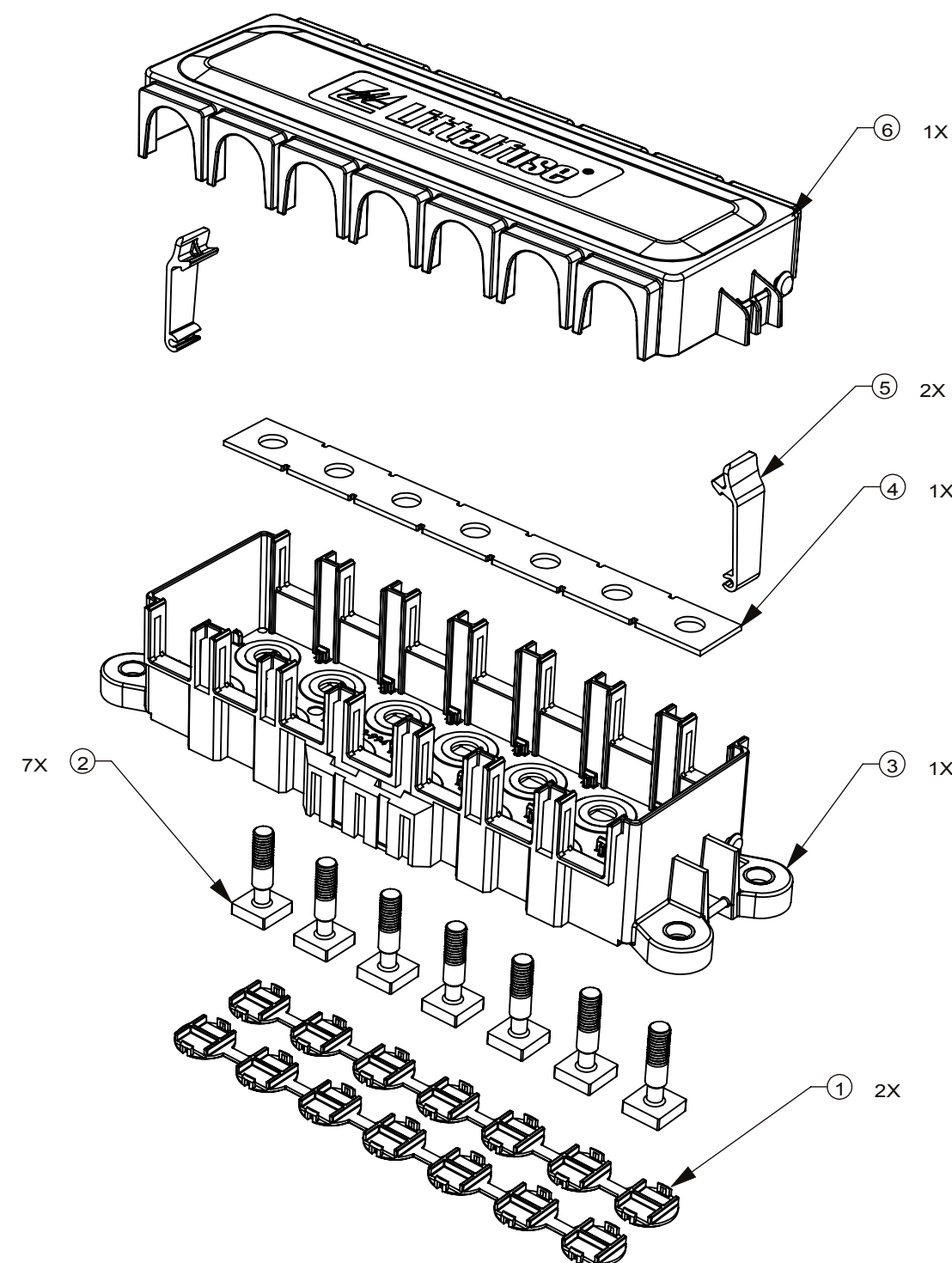
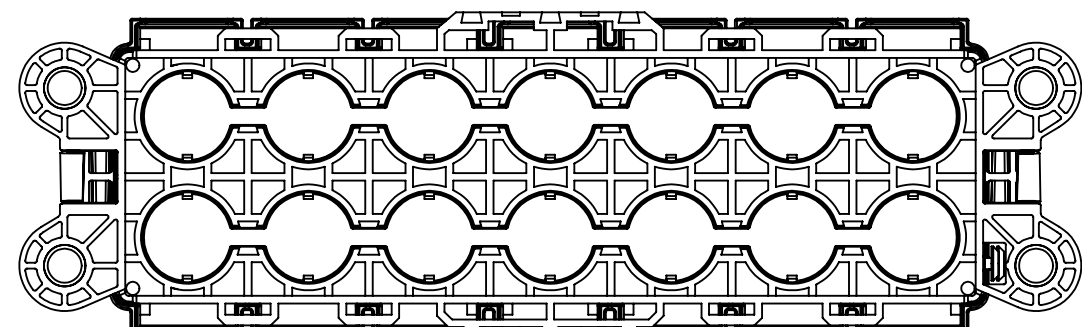


REVISIONS				
ZONE	REV.	DESCRIPTION	DATE	APPROVED
	A	520253GCC-NEW RELEASE DRAWING	21/May/19	



SECTION A-A



NOTES:

- MATERIALS:
BASE/COVER: PET WITH GF (UL-94V0)
BUS BAR: COPPER Sn PLATED
STUD: STEEL Ni/Fe ALLOY PLATED
BOTTOM CAP: PA66
LATCH: POM
- MAX. MAIN INPUT: 400A
- OPERATING TEMPERATURE RANGE: -40°C TO 85°C
- M8 MOUNTING TORQUE: 12-15 Nm
- MAX. WIRE SIZE 105 sqmm OR AWG 4/0

NO.	COMPONENT NO.	COMPONENT NAME	QTY/M	U/M
6	873-723	COVER	1	EA
5	883-088	LATCH	2	EA
4	882-869-7	BUS BAR	1	EA
3	868-994	BASE	1	EA
2	908-067	M8 STUD	7	EA
1	883-097	BOTTOM CAP	2	EA

DIMENSIONS ARE SHOWN IN MILLIMETERS. DIMENSIONS AND TOLERANCES ARE DEFINED ACCORDING TO ANSI/ASME Y14.5-1994.	
●	DENOTES PRODUCTS CRITICAL CHARACTERISTICS
CPK	DENOTES CPK DIMENSIONS MINIMUM CPK VALUE
ST	DENOTES A CHARACTERISTIC THAT PROVIDES AN INDICATION OF PROCESS PERFORMANCE PROCEDURE FOR MEASUREMENT AND TRACKING TO BE DEFINED IN LITTELFUSE INSPECTION INSTRUCTIONS
CP	DENOTES CP DIMENSIONS. MINIMUM CP VALUE MUST BE WITHIN THE DIMENSIONAL LIMITATIONS SHOWN ON DRAWING AND INITIALLY LOCATED TO ALLOW FOR MAXIMUM TOOL LIFE

TOLERANCES UNLESS OTHERWISE SPECIFIED	
ONE PLACE DECIMAL ± 0.5	THREE PLACES DECIMAL ± 0.100
TWO PLACES DECIMAL ± 0.20	ANGULAR ± 2°

NAME	DATE
DRAWN FRANK YUE	26/Dec/18
CHECKED	

Expertise Applied | Answers Delivered

TITLE
UNSEALED 6-WAY ZCASE FUSE BOX

THIRD ANGLE PROJECTION

SIZE	DWG. NO.	REV.
C	OL-DFHZ0006Z	A

DO NOT SCALE DRAWING SCALE 1:2 SHEET 1 OF 1