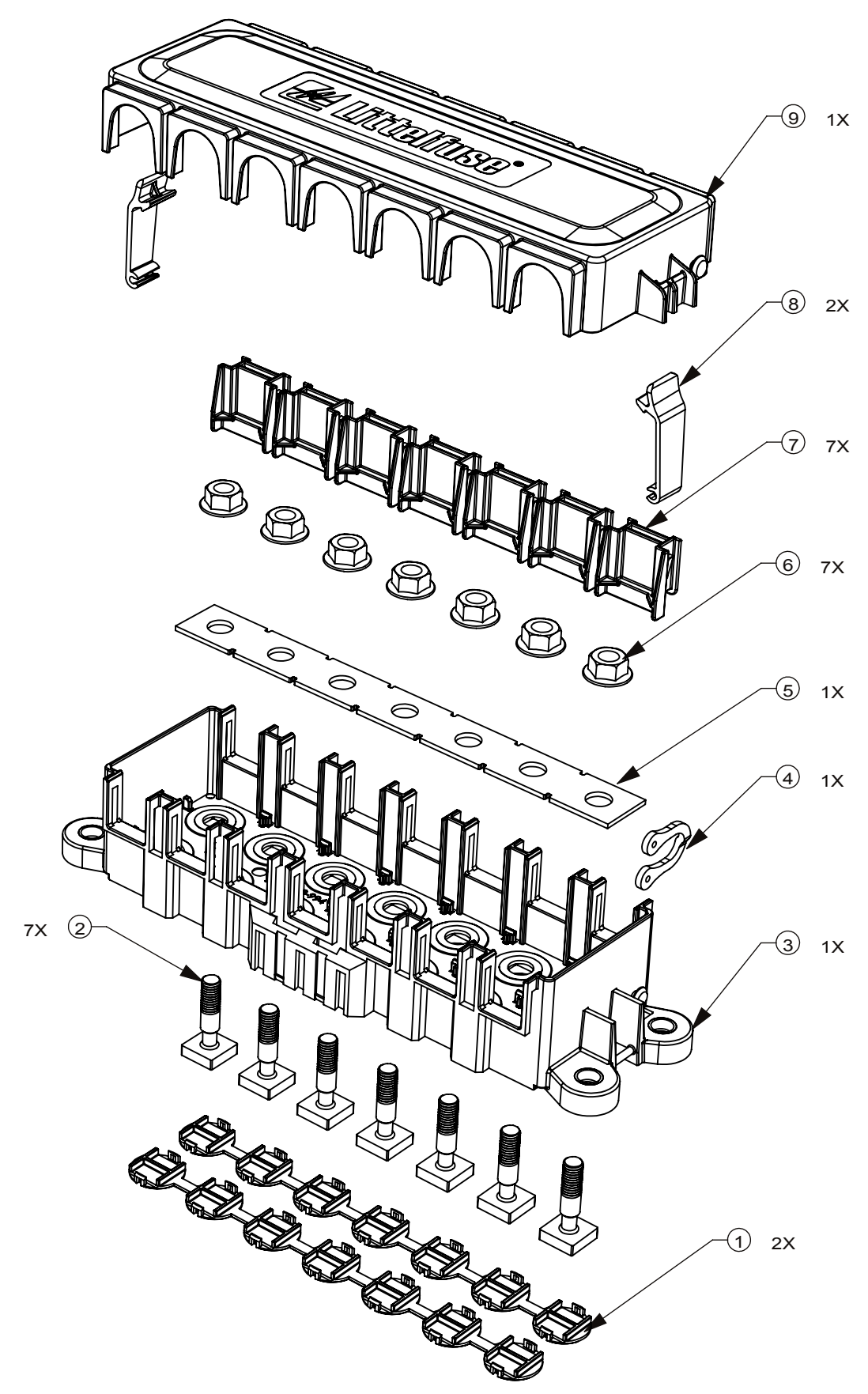
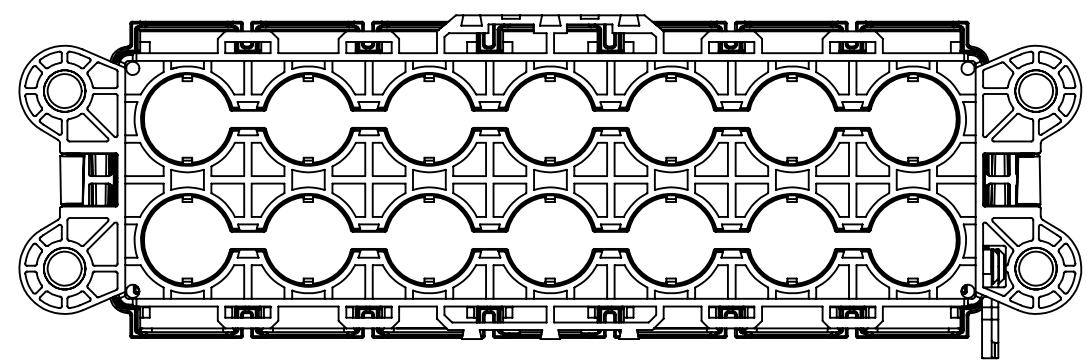
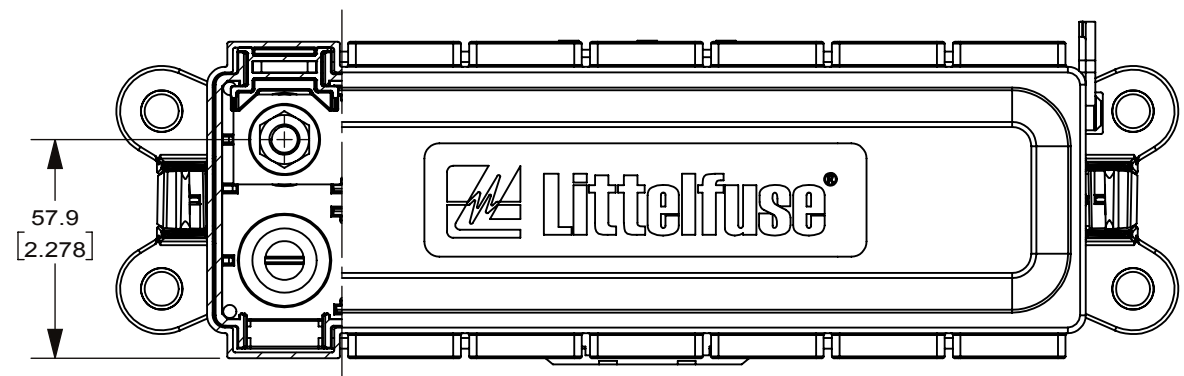
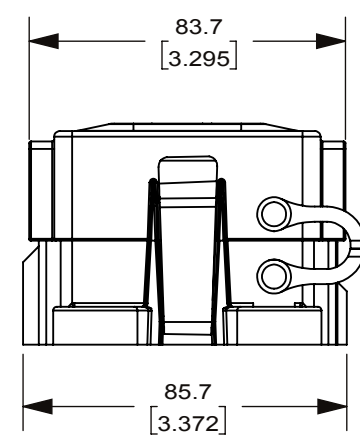
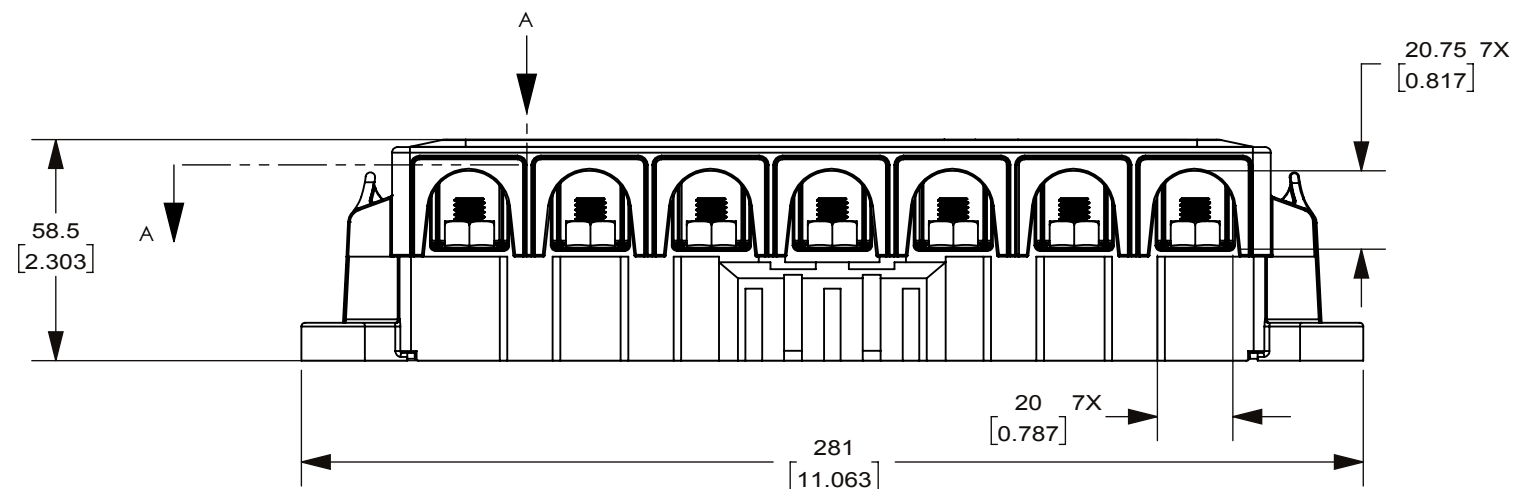
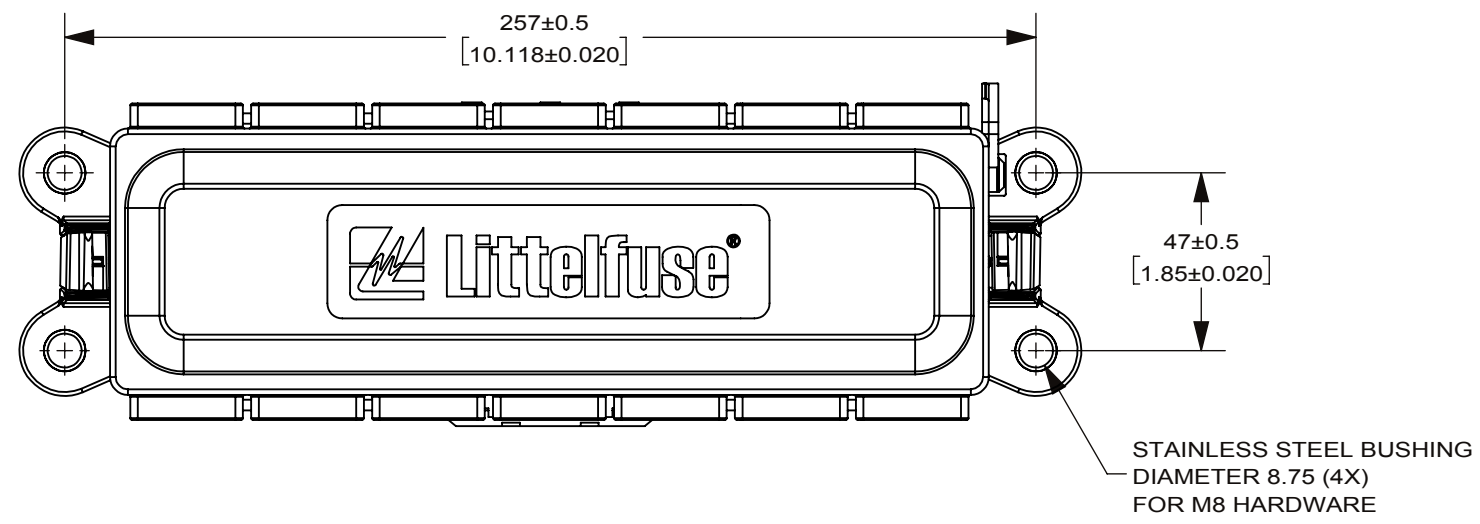


REVISIONS				
ZONE	REV.	DESCRIPTION	DATE	APPROVED
	A	520253GCC-NEW RELEASE DRAWING	23/May/19	



- NOTES:
- MATERIALS:
 BASE/COVER: PET WITH GF (UL-94V0)
 BUS BAR: COPPER Sn PLATED
 DUST COVER: SILICON RUBBER
 STUD: STEEL Ni/Fe ALLOY PLATED
 BOTTOM CAP: PA66
 LATCH: POM
 FLANGE NUT: STAINLESS STEEL
 - MAX. MAIN INPUT: 400A
 - OPERATING TEMPERATURE RANGE: -40°C TO 85°C
 - M8 MOUNTING TORQUE: 12-15 Nm
 - MAX. WIRE SIZE 105 sqmm OR AWG 4/0

NO.	COMPONENT NO.	COMPONENT NAME	QTY/M	U/M
9	873-723	COVER	1	EA
8	883-088	LATCH	2	EA
7	901-520	DUST COVER	7	EA
6	980003760	M8 NUT	7	EA
5	882-869-7	BUS BAR	1	EA
4	890009470	TETHER	1	EA
3	868-994	BASE	1	EA
2	908-067	M8 STUD	7	EA
1	883-097	BOTTOM CAP	2	EA

DIMENSIONS ARE SHOWN IN MILLIMETERS. DIMENSIONS AND TOLERANCES ARE DEFINED ACCORDING TO ANSI/ASME Y14.5-1994.

● DENOTES PRODUCTS CRITICAL CHARACTERISTICS

CPK DENOTES CPK DIMENSIONS MINIMUM CPK VALUE

ST DENOTES A CHARACTERISTIC THAT PROVIDES AN INDICATION OF PROCESS PERFORMANCE PROCEDURE FOR MEASUREMENT AND TRACKING TO BE DEFINED IN LITTELFUSE INSPECTION INSTRUCTIONS

CP DENOTES CP DIMENSIONS. MINIMUM CP VALUE MUST BE WITHIN THE DIMENSIONAL LIMITATIONS SHOWN ON DRAWING AND INITIALLY LOCATED TO ALLOW FOR MAXIMUM TOOL LIFE

TOLERANCES UNLESS OTHERWISE SPECIFIED
 ONE PLACE DECIMAL ± 0.5 THREE PLACES DECIMAL ± 0.100
 TWO PLACES DECIMAL ± 0.20 ANGULAR ± 2°

NAME	DATE
DRAWN FRANK YUE	26/Dec/17
CHECKED	

Littelfuse
 Expertise Applied | Answers Delivered

TITLE
UNSEALED 6-WAY ZCASE FUSE BOX

THIRD ANGLE PROJECTION

DO NOT SCALE DRAWING

SCALE 1:2

SIZE C DWG. NO. OL-DFHZ0007Z REV. A SHEET 1 OF 1