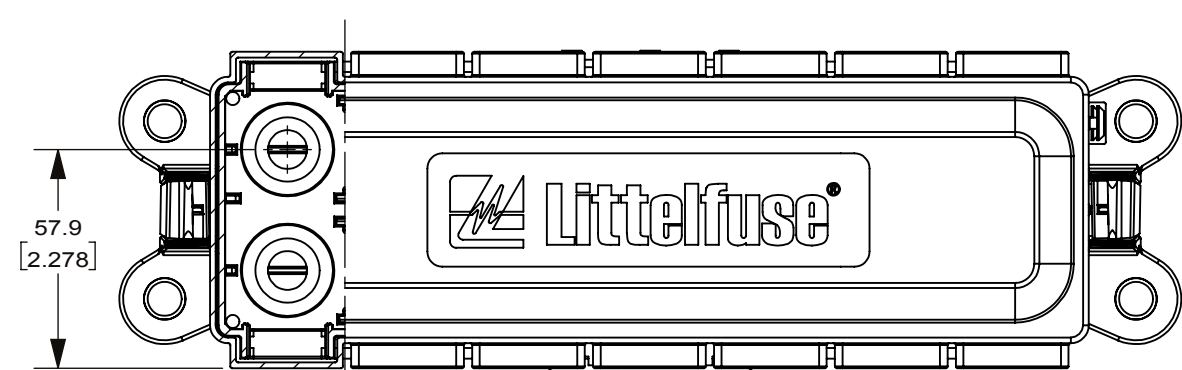
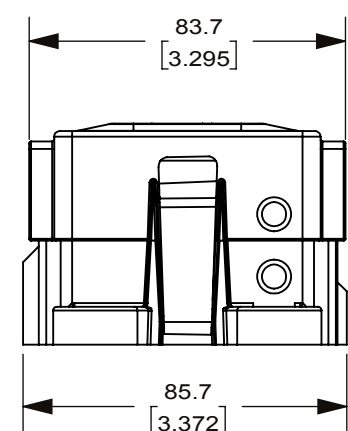
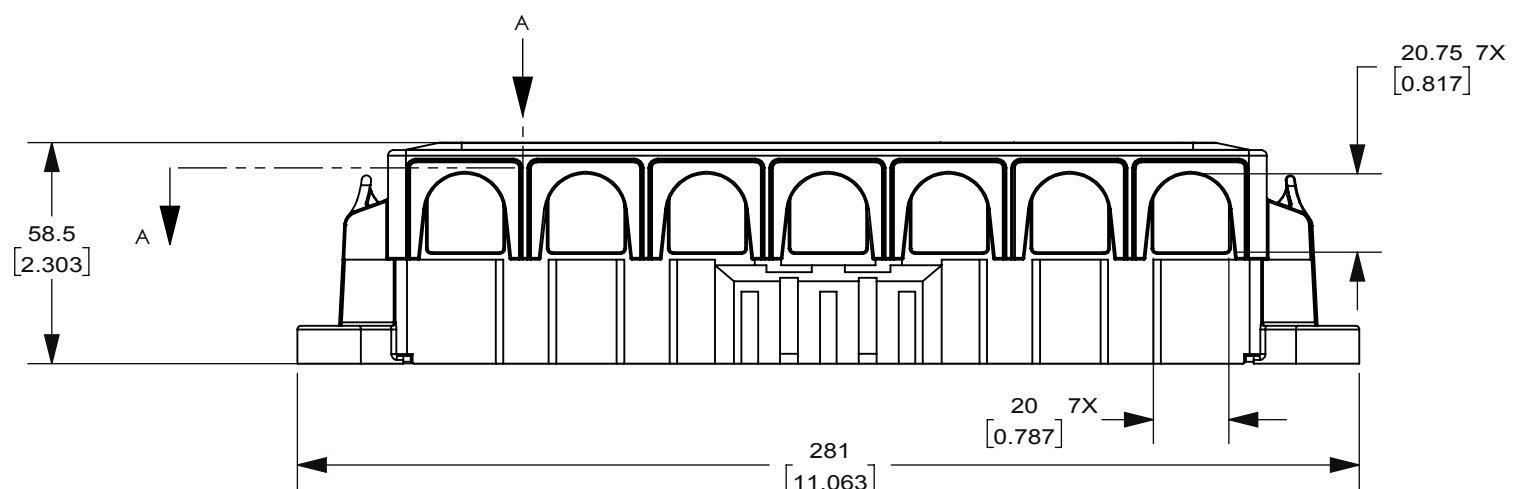
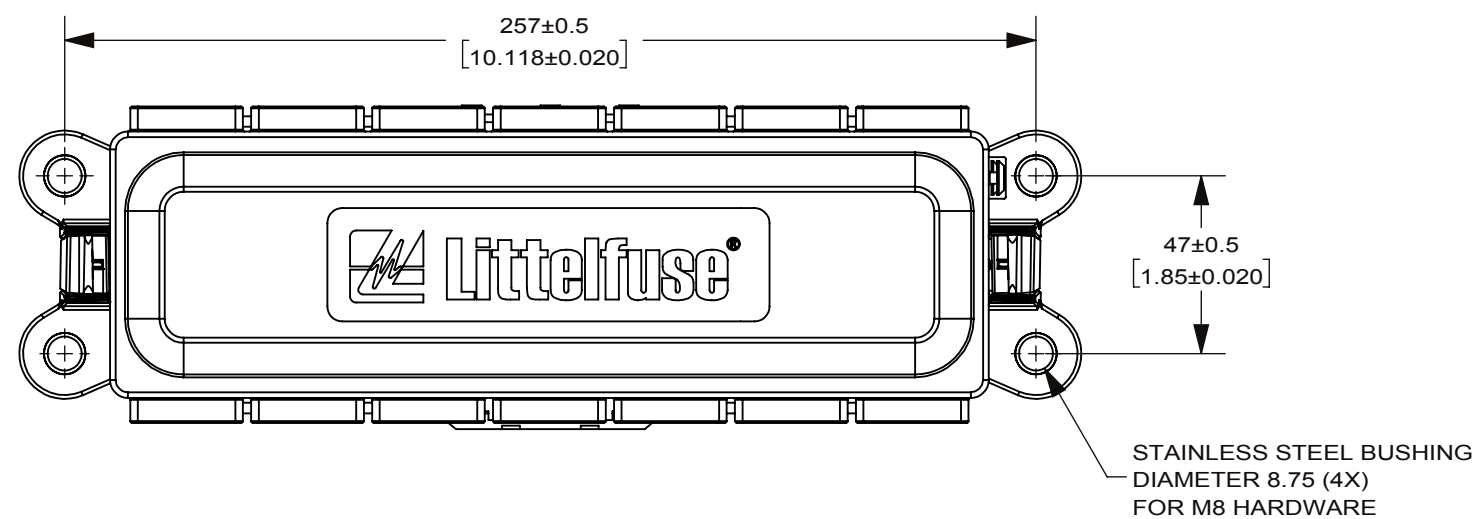
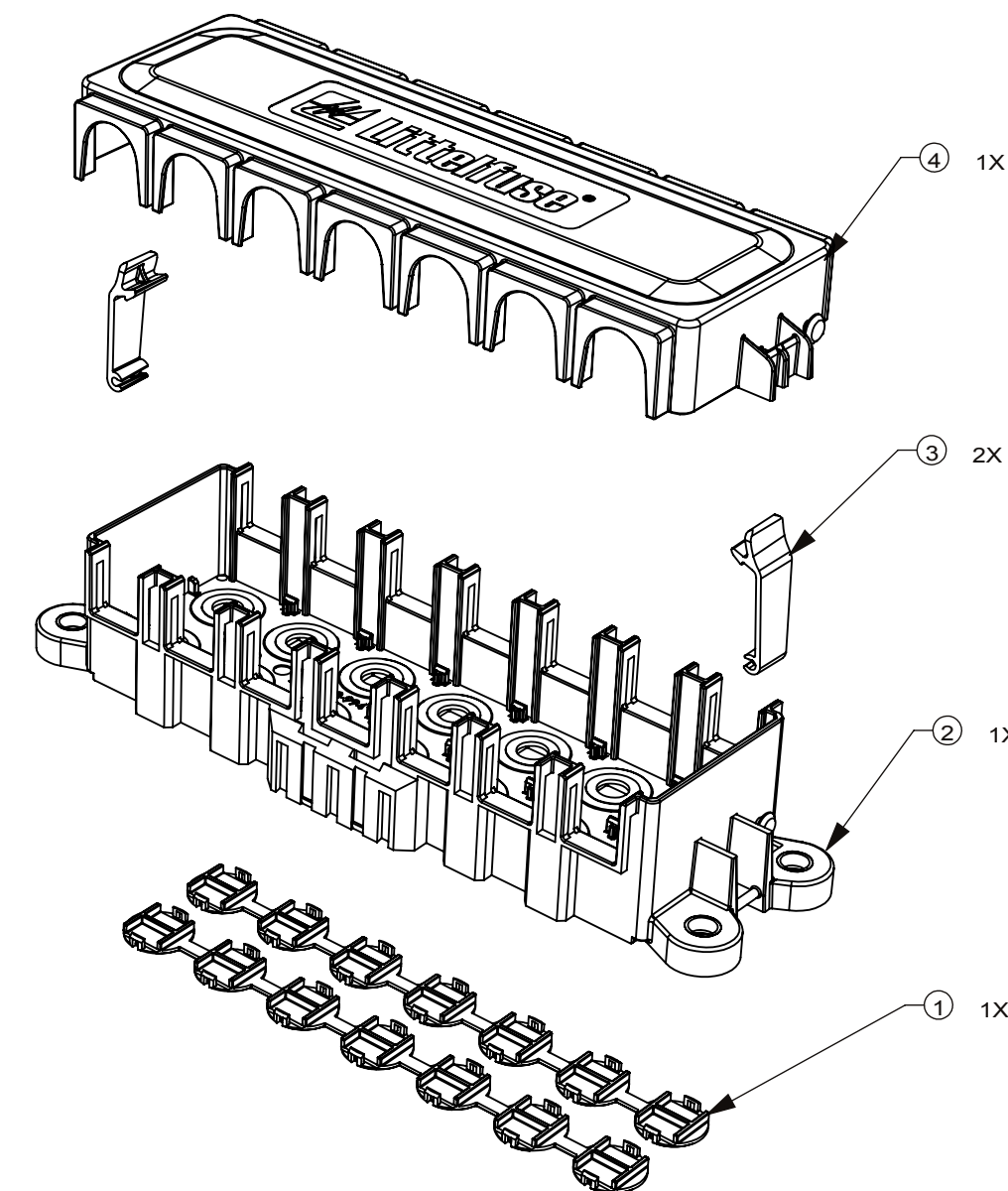
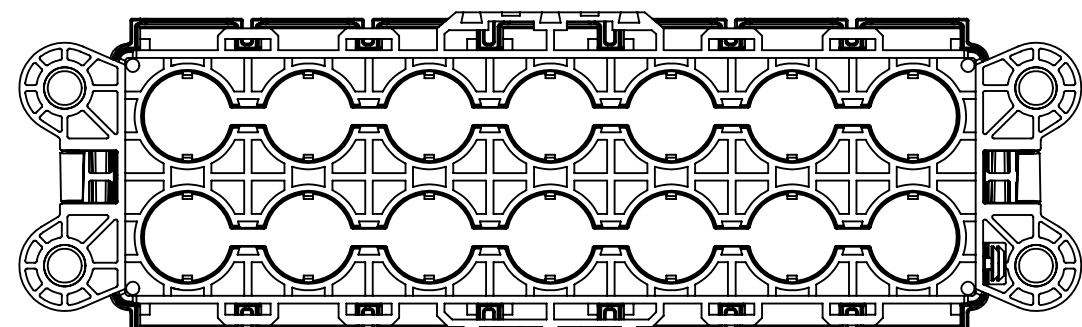


REVISIONS				
ZONE	REV.	DESCRIPTION	DATE	APPROVED
	A	520253GCC-NEW RELEASE DRAWING	23/May/19	



SECTION A-A



NOTES:

- MATERIALS:
BASE/COVER: PET WITH GF (UL-94V0)
BOTTOM CAP: PA66
LATCH: POM
- MAX. MAIN INPUT: 400A
- OPERATING TEMPERATURE RANGE: -40 °C TO 85 °C
- M8 MOUNTING TORQUE: 12-15 Nm
- MAX. WIRE SIZE 105 sqmm OR AWG 4/0

NO.	COMPONENT NO.	COMPONENT NAME	QTY/M	U/M
4	873-723	COVER	1	EA
3	883-088	LATCH	2	EA
2	868-994	BASE	1	EA
1	883-097	BOTTOM CAP	2	EA

DIMENSIONS ARE SHOWN IN MILLIMETERS. DIMENSIONS AND TOLERANCES ARE DEFINED ACCORDING TO ANSI/ASME Y14.5-1994.	
●	DENOTES PRODUCTS CRITICAL CHARACTERISTICS
CPK	DENOTES CPK DIMENSIONS MINIMUM CPK VALUE
ST	DENOTES A CHARACTERISTIC THAT PROVIDES AN INDICATION OF PROCESS PERFORMANCE PROCEDURE FOR MEASUREMENT AND TRACKING TO BE DEFINED IN LITTELFUSE INSPECTION INSTRUCTIONS
CP	DENOTES CP DIMENSIONS. MINIMUM CP VALUE MUST BE WITHIN THE DIMENSIONAL LIMITATIONS SHOWN ON DRAWING AND INITIALLY LOCATED TO ALLOW FOR MAXIMUM TOOL LIFE

TOLERANCES UNLESS OTHERWISE SPECIFIED
ONE PLACE DECIMAL ± 0.5 THREE PLACES DECIMAL ± 0.100
TWO PLACES DECIMAL ± 0.20 ANGULAR ± 2°

NAME	DATE	Littelfuse Expertise Applied Answers Delivered
DRAWN FRANK YUE	26/Dec/17	
CHECKED		TITLE
		UNSEALED 6-WAY ZCASE FUSE BOX
THIRD ANGLE PROJECTION		SIZE C
DO NOT SCALE DRAWING		DWG. NO. OL-DFHZ0008Z
SCALE 1:2		REV. A
SHEET 1 OF 1		