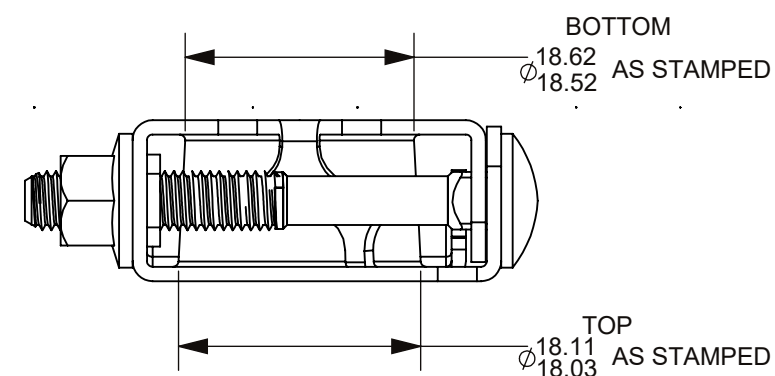
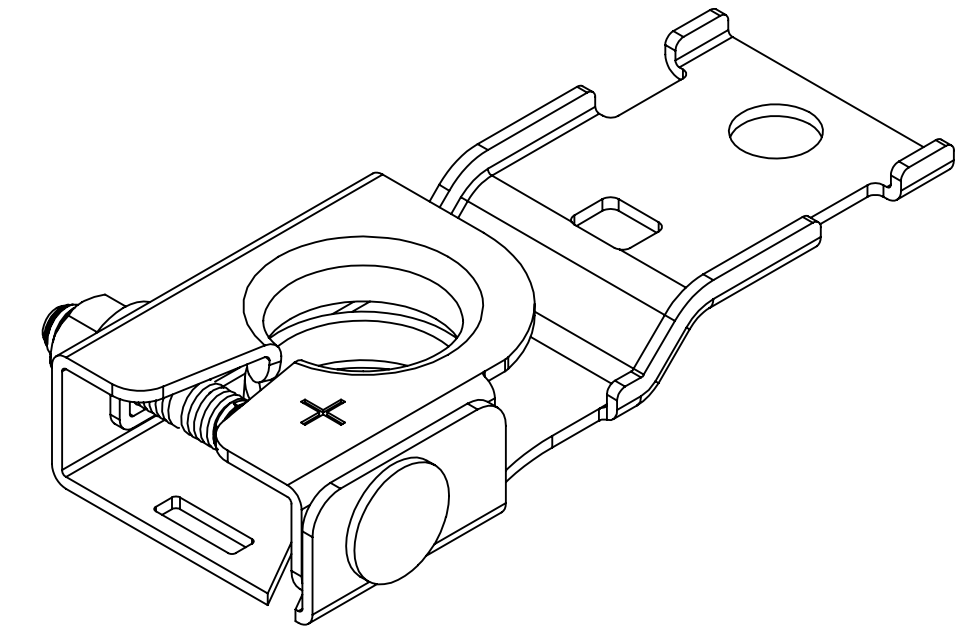
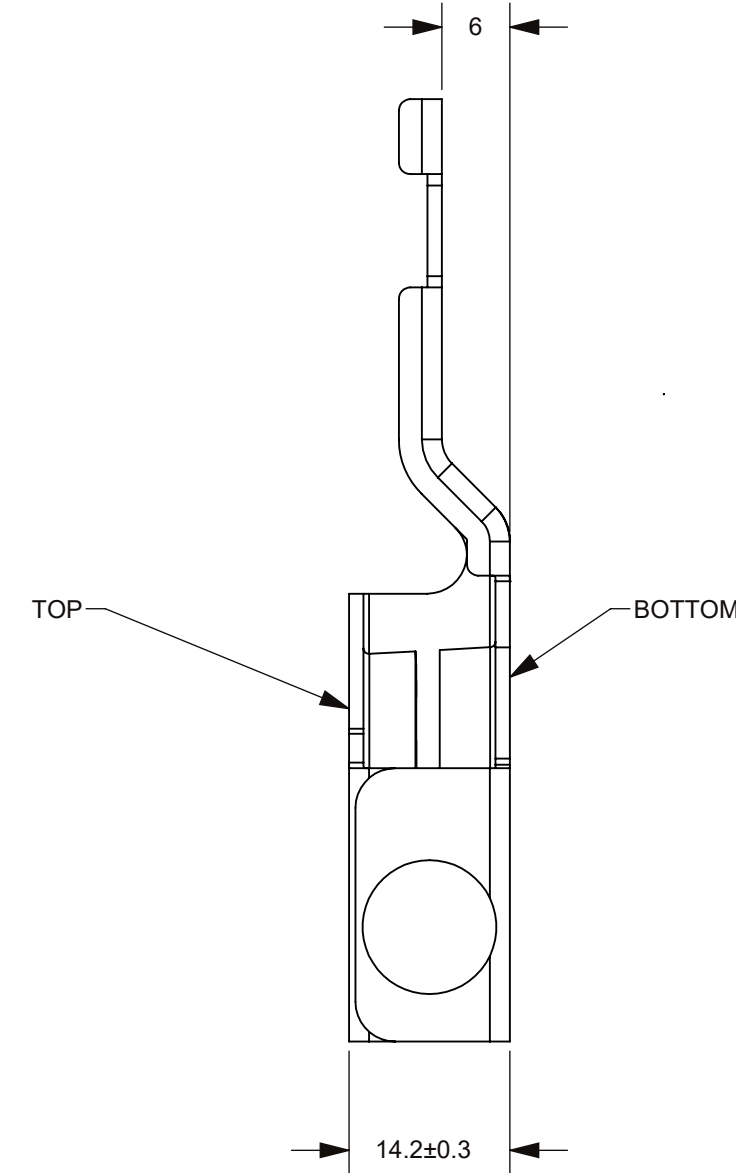
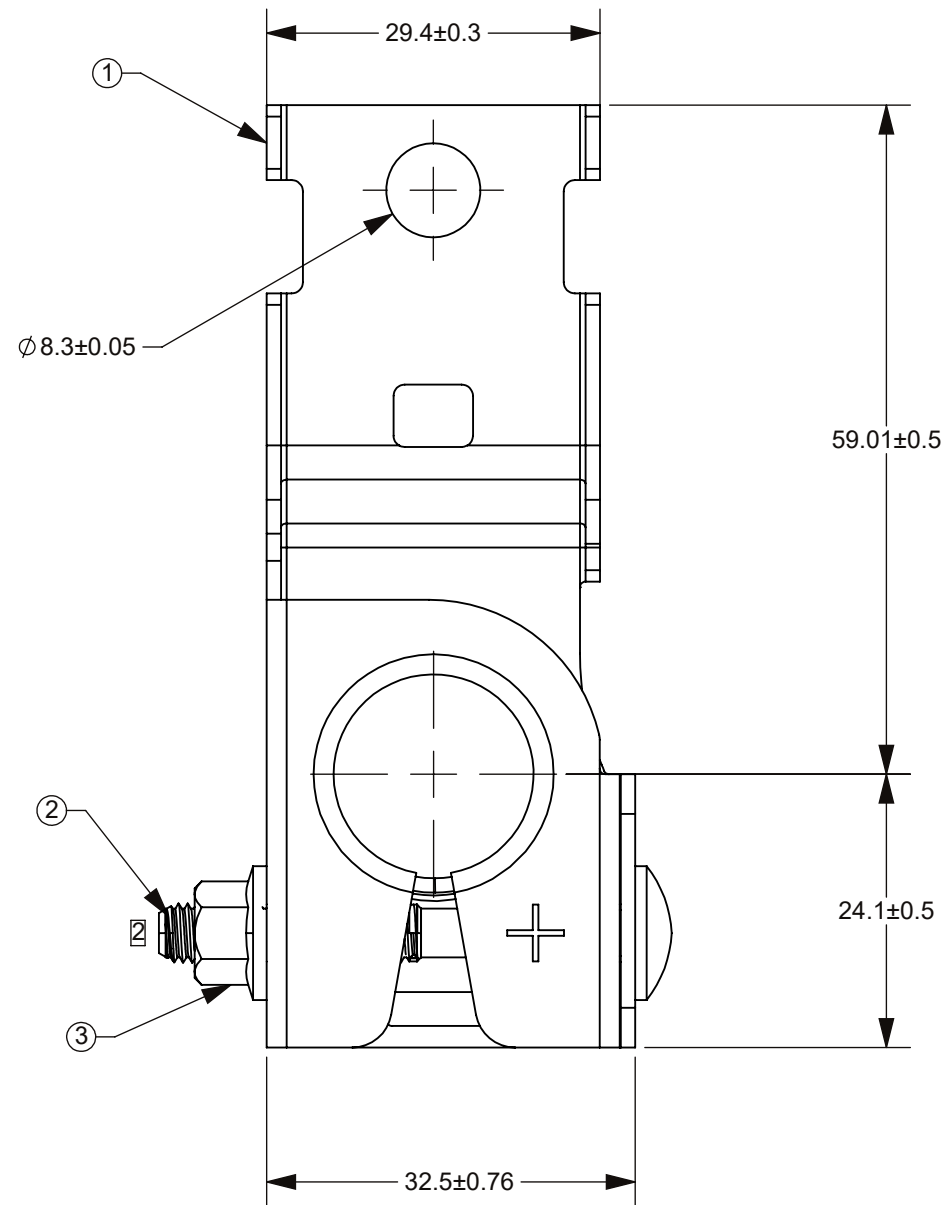


THIS DRAWING AND THE INFORMATION CONTAINED WITHIN IT ARE CONFIDENTIAL AND MAY NOT BE COPIED OR DISCLOSED WITHOUT THE WRITTEN PERMISSION OF LITTELFUSE.

REVISIONS				
ZONE	REV.	DESCRIPTION	DATE	APPROVED
	A	PCO #5300031. INITIAL RELEASE. DSILVA	3/7/2022	S. CASTILLO



- NOTES:
 1. MATERIAL:
 1. BATTERY TERMINAL: COPPER ALLOY, TIN PLATED.
 ☑ DYNAMIC TORQUE: 5.4Nm±0.9Nm @ 540 RPM MAX

BOM			
ITEM	DESCRIPTION	QTY	UM
1	BATTERY TERMINAL	1	EA
2	M6 CARRAGE BOLT	1	EA
3	M6 FLANGE NUT	1	EA

DIMENSION: MM TOLERANCES UNLESS OTHERWISE SPECIFIED ONE PLACE DECIMAL ± 0.5 THREE PLACES DECIMAL ± 0.100 TWO PLACES DECIMAL ± 0.20 ANGULAR ± 2°	
DIMENSIONS ARE SHOWN IN MILLIMETERS. DIMENSIONS AND TOLERANCES ARE DEFINED ACCORDING TO ANSI/ASME Y14.5-1994.	
●	FTI/ FUNCTION CRITICAL CHARACTERISTICS
<S>	SAFETY/ COMPLIANCE CRITICAL CHARACTERISTICS SYMBOL
CPK	DENOTES CPK DIMENSIONS MINIMUM CPK VALUE
(ST)	DENOTES A CHARACTERISTIC THAT PROVIDES AN INDICATION OF PROCESS PERFORMANCE. PROCEDURE FOR MEASUREMENT AND TRACKING TO BE DEFINED IN LITTELFUSE INSPECTION INSTRUCTIONS
CP	DENOTES CP DIMENSIONS. -MINIMUM CP VALUE MUST BE WITHIN THE DIMENSIONAL LIMITATIONS SHOWN ON DRAWING AND INITIALLY LOCATED TO ALLOW FOR MAXIMUM TOOL LIFE

NAME	DATE	 Expertise Applied Answers Delivered
DRAWN DSILVA	2/28/2022	
CHECKED S. CASTILLO	3/7/2022	TITLE TERMINAL ASSEMBLY-BMZ
FORM NO. CVP-PE40-0005 REV B		
THIRD ANGLE PROJECTION		SCALE 1:2 SHEET 1 OF 1
DO NOT SCALE DRAWING	SCALE 1:2	



SIZE C	DWG. NO. OL-0FHZ00852	REV. A
--------	-----------------------	--------