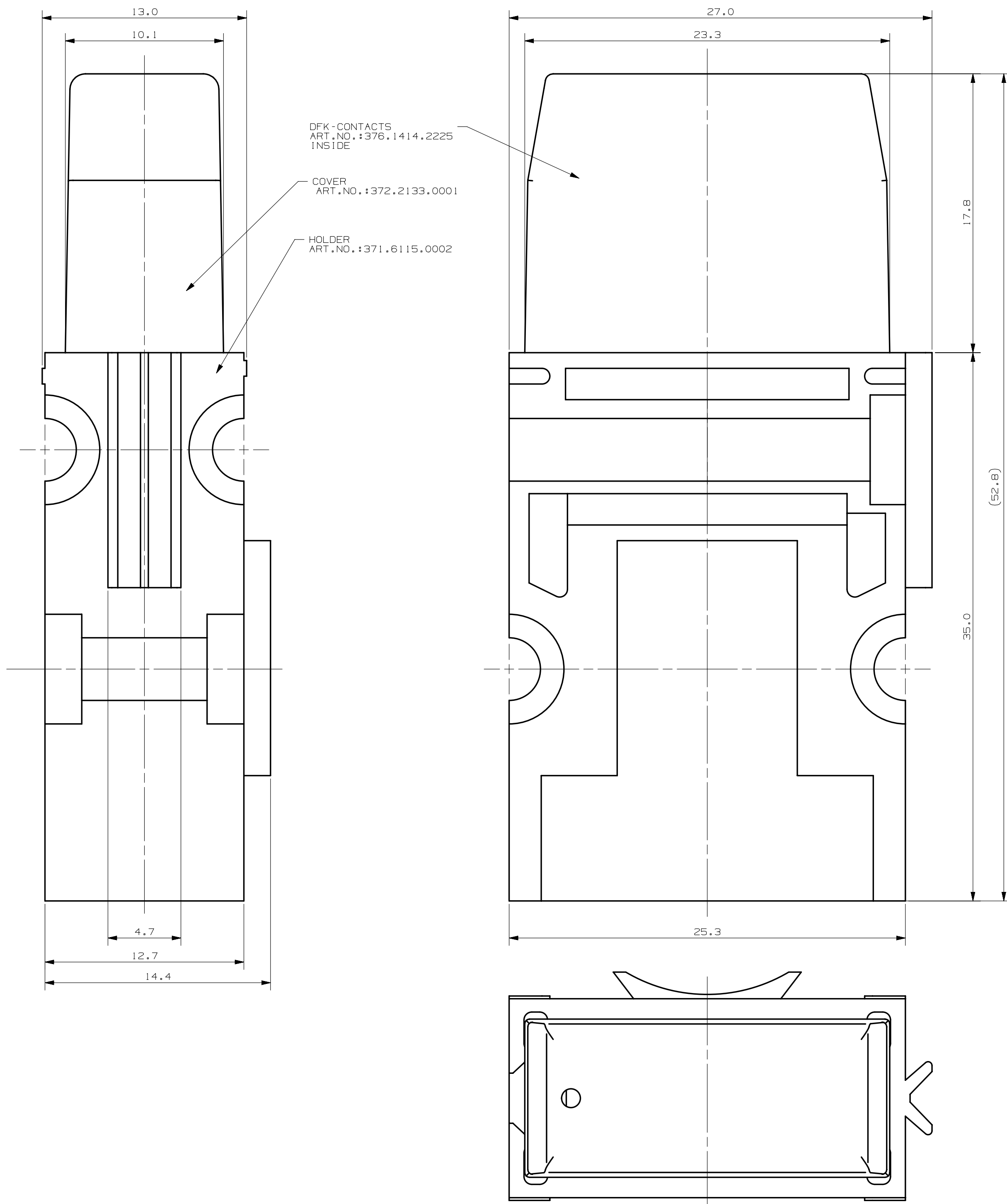
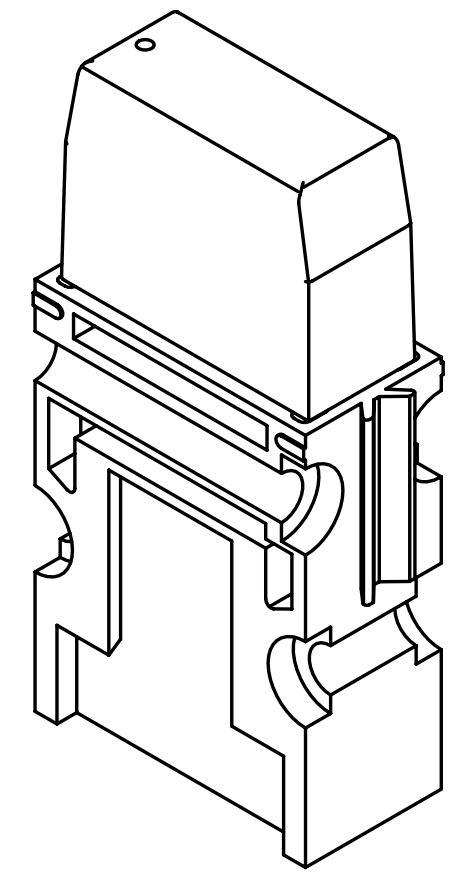


LTR	DATE	REVISION	CHK	APD
A	15/Feb/16	5155496CA-NEW RELEASED	FYUE	



3D VIEW  
SCALE 2:1



UNLESS OTHERWISE SPECIFIED, DIMENSIONS ARE IN MILLIMETERS.  
DIMENSIONS IN BRACKETS [ ] ARE INCHES

UNLESS OTHERWISE SPECIFIED, DIMENSIONS DO NOT INCLUDE PLATING.

⊙ DENOTES CRITICAL CHARACTERISTICS.

CPK DENOTES CPK DIMENSIONS, -MINIMUM CPK VALUE

ST DENOTES A CHARACTERISTIC THAT PROVIDES AN INDICATION OF PROCESS PERFORMANCE. PROCEDURE FOR MEASUREMENT AND TRACKING TO BE DEFINED IN LITTELFUSE INSPECTION INSTRUCTIONS

CP DENOTES CP DIMENSIONS, -MINIMUM CP VALUE MUST BE WITHIN THE DIMENSIONAL LIMITATIONS SHOWN ON DRAWING AND INITIALLY LOCATED TO ALLOW FOR MAXIMUM TOOL LIFE

COPIES TO	MATL SPEC COVER: THERMOPLASTIC HOLDER: THERMOPLASTIC DFK CONTACTS: COPPER ALLOY		
1 9 18	FINISH		
2 10 19	-		
3 12 20	DRW	DATE	SCALE
4 13 21	FYUE	15/Feb/16	5:1
5 14 23	CHK	DATE	SUPER DR
6 15 33	APPD	DATE	FINSH GOOD WT
7 16 43			
8 17 53			

TOLERANCES UNLESS OTHERWISE SPECIFIED (REF. ISO 2768-mK)

DIMENSION	0.5 - 3	3 - 6	6 - 30	30 - 120	120 - 400
TOLERANCE	+0.1	+0.1	+0.2	+0.3	+0.5

3RD ANGLE PROJECTION

TITLE FH2- BLOCKHOLDER, COMPLETE

METRIC ASSEMBLY

Littelfuse CHICAGO, USA 773-628-1000

REVISION A

DRWG. NO. 178.6105.0001

OUTLINE

CAD GENERATED DRAWING - NO PENCIL CHANGES ALLOWED (rev C)