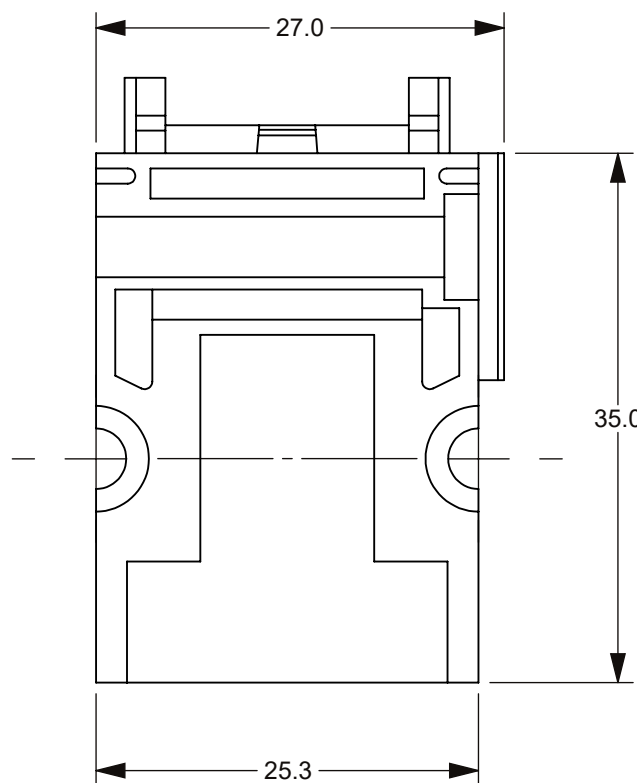
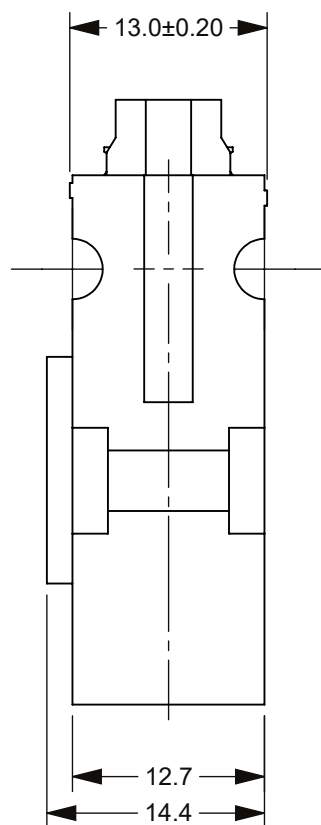
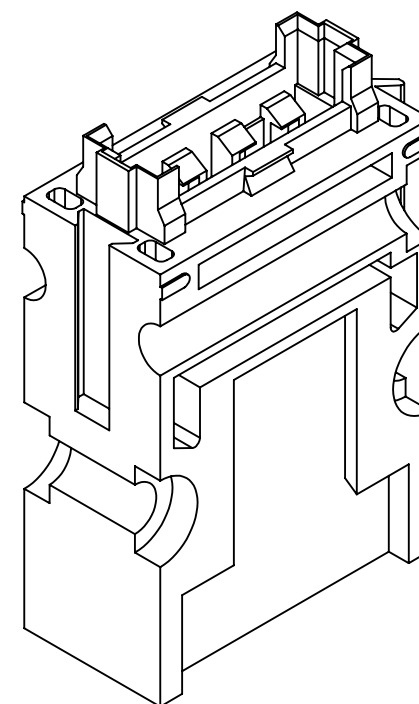
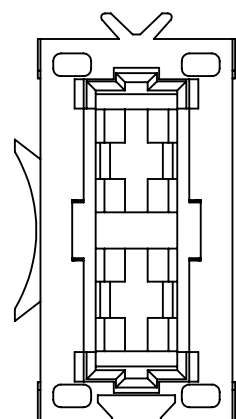


THIS DRAWING AND THE INFORMATION CONTAINED WITHIN IT ARE CONFIDENTIAL AND MAY NOT BE COPIED OR DISCLOSED WITHOUT THE WRITTEN PERMISSION OF LITTELFUSE.

ART. NR	DESCRIPTION	NOTE
178.6115.000_	FH2 HOLDER HUSING	-

REVISIONS				
ZONE	REV.	DESCRIPTION	DATE	APPROVED
	A	PCO #5300036. INITIAL RELEASE. DSILVA	3/7/2022	L.ARGIL.



NO.	COMPONENT NO.	COMPONENT NAME	QTY	U	
TOLERANCES UNLESS OTHERWISE SPECIFIED (REF. ISO 2768-FH)					
.5 to 3	>3 to 6	>6 to 30	>30 to 120	>120 to 400	ANGLE
±0.05	±0.05	±0.1	±0.15	±0.2	NONE

DIMENSIONS ARE SHOWN IN MILLIMETERS. UNLESS OTHERWISE SPECIFIED, DIMENSIONS DO NOT INCLUDE PLATING.

●	FIT/ FUNCTION CRITICAL CHARACTERISTICS
<S>	SAFETY/ COMPLIANCE CRITICAL CHARACTERISTICS SYMBOL
CPK	DENOTES CPK DIMENSIONS MINIMUM CPK VALUE
ST	DENOTES A CHARACTERISTIC THAT PROVIDES AN INDICATION OF PROCESS PERFORMANCE.PROCEDURE FOR MEASUREMENT AND TRACKING TO BE DEFINED IN LITTELFUSE INSPECTION INSTRUCTIONS
CP	DENOTES CP DIMENSIONS. -MINIMUM CP VALUE MUST BE WITHIN THE DIMENSIONAL LIMITATIONS SHOWN ON DRAWING AND INITIALLY LOCATED TO ALLOW FOR MAXIMUM TOOL LIFE

NOTES:  
 1. MATERIAL: THERMOPLASTIC, COLOR BLACK

NAME	DATE	 <b>Littelfuse</b> Expertise Applied   Answers Delivered		
DRAWN D.SILVA	1/14/2022			
CHECKED -	-	TITLE		
-	-	FH2 HOLDER HOUSING		
FORM NO: CVP-PE40-0003 REV B	THIRD ANGLE PROJECTION	SIZE	DWG. NO.	REV.
DO NOT SCALE DRAWING	SCALE 2:1	B	OUTLINE	OL-178.6115.0000
				A
				SHEET 1 OF 1