

8

7

6

5

4

3

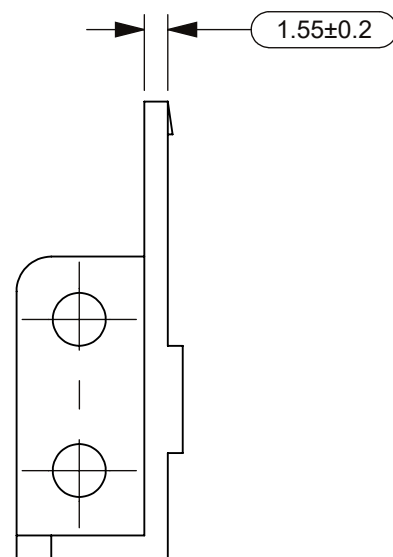
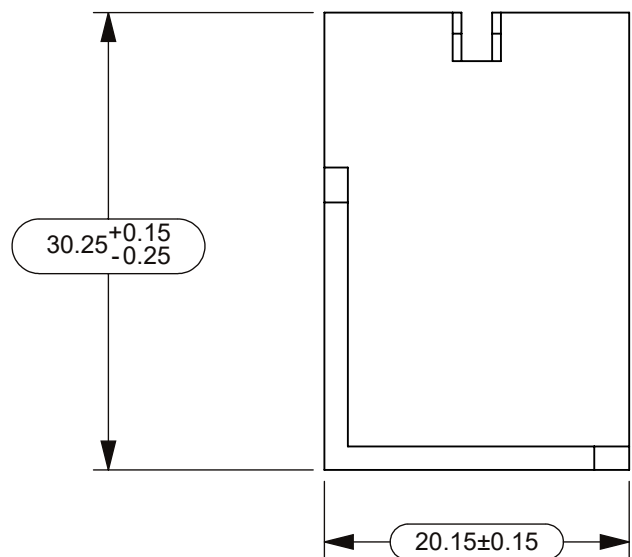
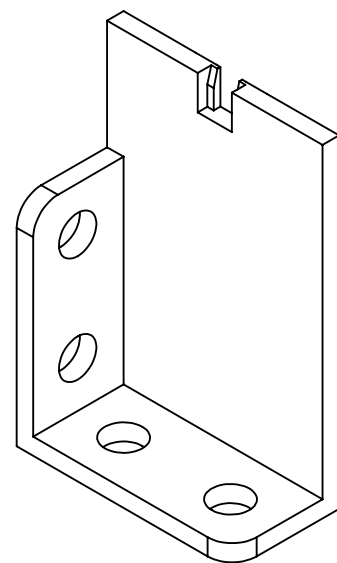
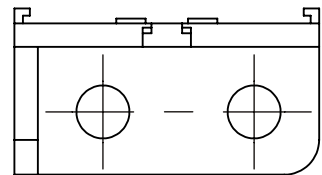
2

1

THIS DRAWING AND THE INFORMATION CONTAINED WITHIN IT ARE CONFIDENTIAL AND MAY NOT BE COPIED OR DISCLOSED WITHOUT THE WRITTEN PERMISSION OF LITTELFUSE.

REVISIONS				
ZONE	REV.	DESCRIPTION	DATE	APPROVED
	A	PCO #5300036. INITIAL RELEASE. DSILVA	3/7/2022	L.ARGIL.

ART. NR.	DESCRIPTION	NOTE
178.6192.000_	ADAPTER FKH-HOLDER LEFT	-



NOTES:
1. MATERIAL: PET, COLOR BLACK

NO.	COMPONENT NO.	COMPONENT NAME	QTY	U	
TOLERANCES UNLESS OTHERWISE SPECIFIED (REF. ISO 2768-FH)					
.5 to 3	>3 to 6	>6 to 30	>30 to 120	>120 to 400	ANGLE
±0.05	±0.05	±0.1	±0.15	±0.2	NONE

DIMENSIONS ARE SHOWN IN MILLIMETERS.
UNLESS OTHERWISE SPECIFIED, DIMENSIONS DO NOT INCLUDE PLATING.

PER CHI-NP020-0008 PROCEDURE	SYMBOL	DESCRIPTION
	●	FIT/ FUNCTION CRITICAL CHARACTERISTICS
	<S>	SAFETY/ COMPLIANCE CRITICAL CHARACTERISTICS SYMBOL
	CPK	DENOTES CPK DIMENSIONS MINIMUM CPK VALUE
	ST	DENOTES A CHARACTERISTIC THAT PROVIDES AN INDICATION OF PROCESS PERFORMANCE. PROCEDURE FOR MEASUREMENT AND TRACKING TO BE DEFINED IN LITTELFUSE INSPECTION INSTRUCTIONS
	CP	DENOTES CP DIMENSIONS. -MINIMUM CP VALUE MUST BE WITHIN THE DIMENSIONAL LIMITATIONS SHOWN ON DRAWING AND INITIALLY LOCATED TO ALLOW FOR MAXIMUM TOOL LIFE

NAME	DATE	 Littelfuse Expertise Applied Answers Delivered	TITLE ADAPTER FOR FKH-HOLDER LEFT
DRAWN DSILVA	1/14/2022		
CHECKED -	-	FORM NO: CVP-PE40-0003 REV B	
THIRD ANGLE PROJECTION		DO NOT SCALE DRAWING	
SIZE B	DWG. NO. OL-178.6192.0000	REV. A	SHEET 1 OF 1
SCALE 2:1			

8

7

6

5

4

3

2

1