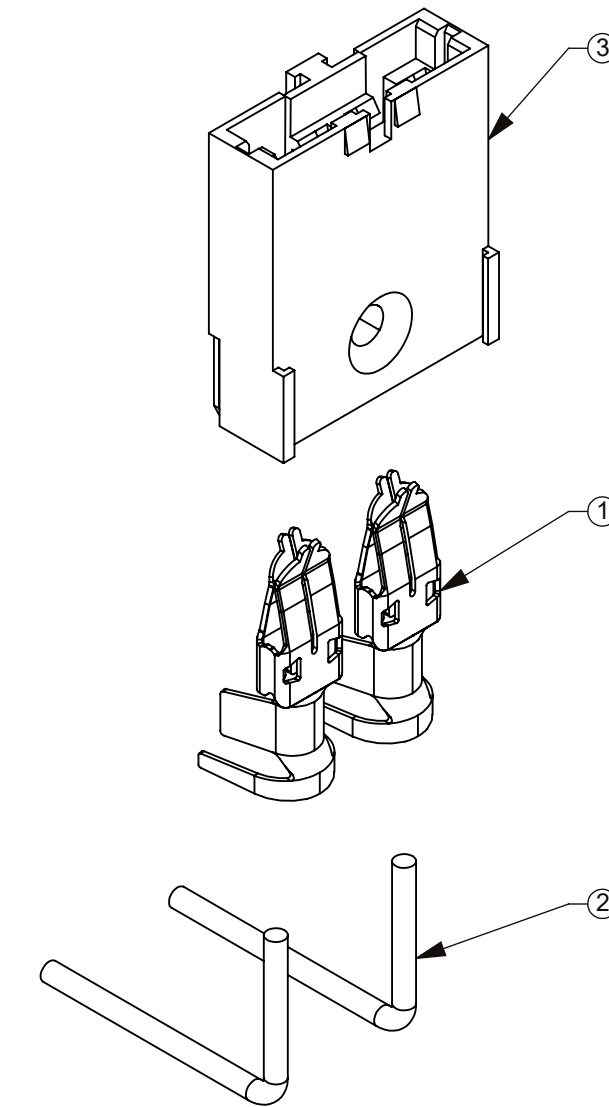
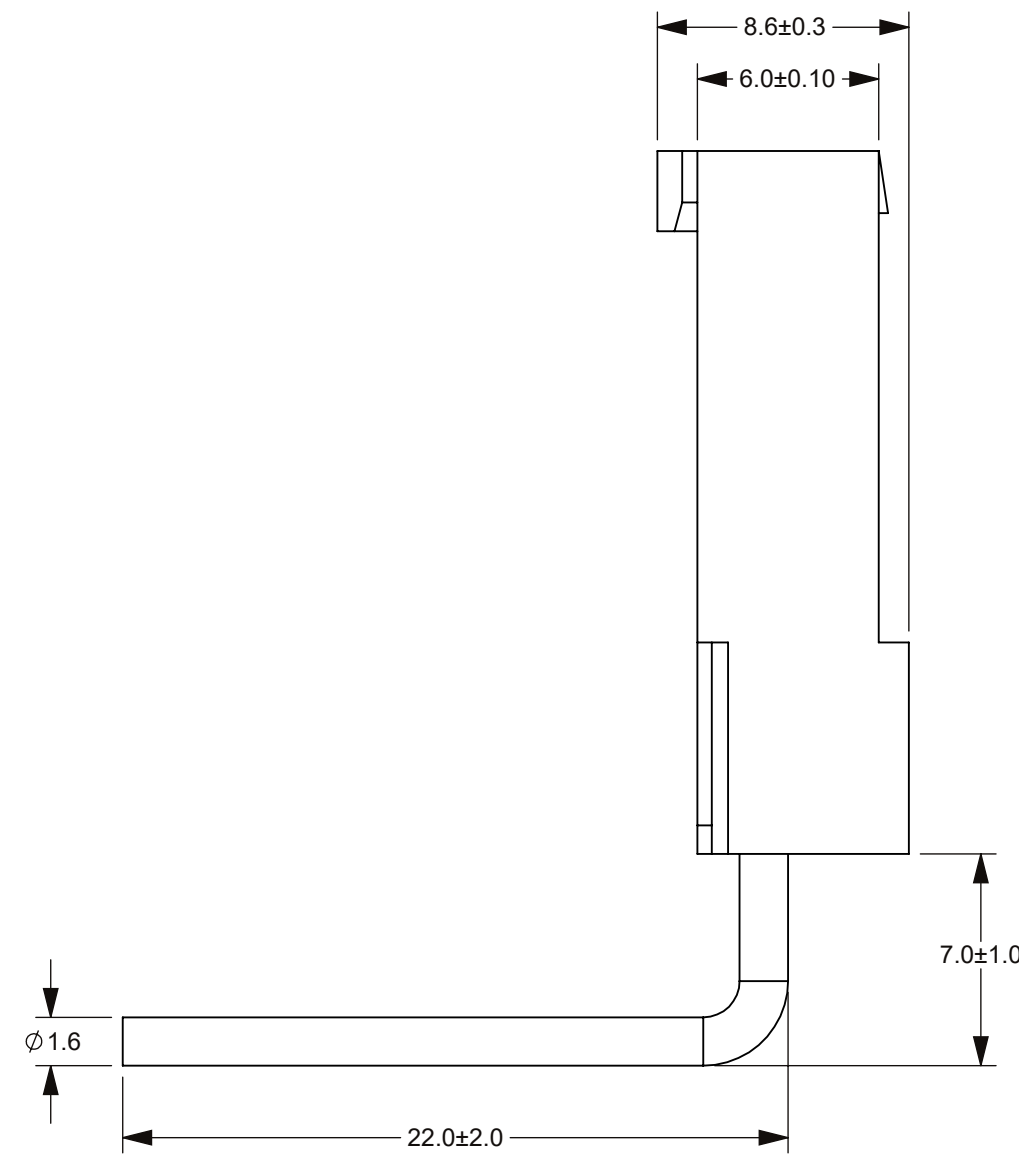
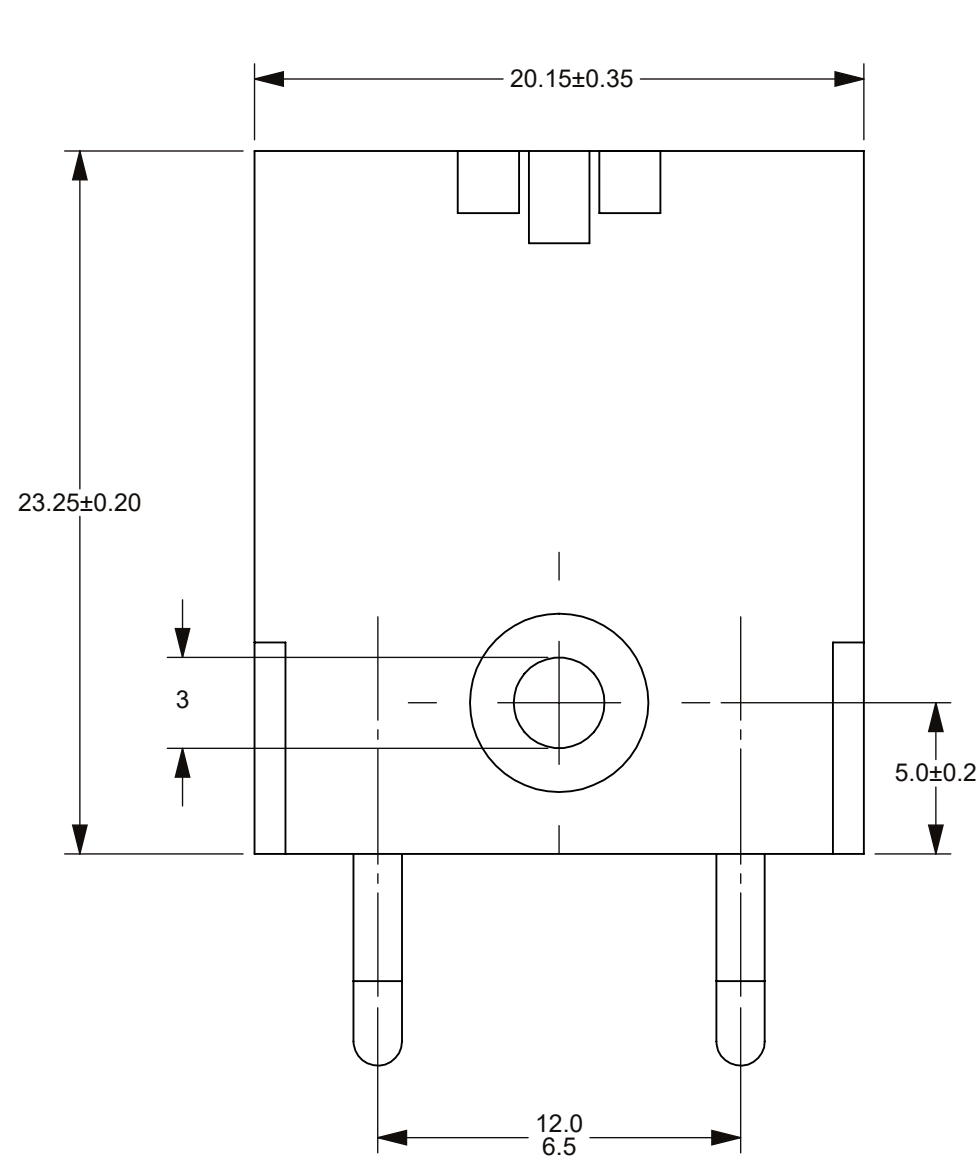


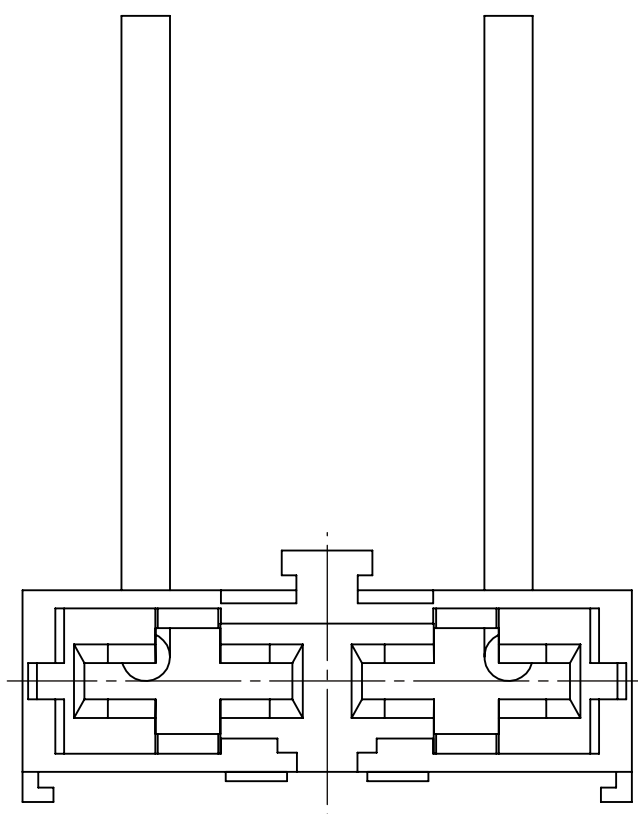
THIS DRAWING AND THE INFORMATION CONTAINED WITHIN IT ARE CONFIDENTIAL AND MAY NOT BE COPIED OR DISCLOSED WITHOUT THE WRITTEN PERMISSION OF LITTELFUSE.

| ART. NR. | DESCRIPTION |
|---------------|----------------------------------|
| 178.7017.0001 | FKH-HOLDER 90 DEGREES CONNECTION |

| REVISIONS | | | | |
|-----------|------|---------------------------------------|-----------|----------|
| ZONE | REV. | DESCRIPTION | DATE | APPROVED |
| | A | PCO #5300128. INITIAL RELEASE. DSILVA | 11/7/2022 | L.ARGIL |



3D VIEW
SCALE 2:1



NOTES:

- MATERIAL:
 - HOLDER: THERMOPLAST
 - DFK CONTACTS: COPPER ALLOY

| NO. | COMPONENT NO. | COMPONENT NAME | QTY/M | U/M |
|-----|---------------|----------------|----------|-----|
| 3 | - | 1.6 CU GAL. | 1369.570 | G |
| 2 | - | DFK2-CONTACT | 2000 | EAD |
| 1 | - | FKH-HOLDER | 1000 | EAD |

| TOLERANCES UNLESS OTHERWISE SPECIFIED (REF. ISO 2768-mK) | | | | | | |
|--|---------|----------|------------|-------------|--|-------|
| .5 to 3 | >3 to 6 | >6 to 30 | >30 to 120 | >120 to 400 | | ANGLE |
| +0.10 | +0.10 | +0.20 | +0.30 | +0.50 | | NONE |

DIMENSIONS ARE SHOWN IN MILLIMETERS. DIMENSIONS AND TOLERANCES ARE DEFINED ACCORDING TO ANSI/ASME Y14.5-1994.

| | |
|------|--|
| ● | FIT/ FUNCTION CRITICAL CHARACTERISTICS |
| <S> | SAFETY/ COMPLIANCE CRITICAL CHARACTERISTICS SYMBOL |
| CPK | DENOTES CPK DIMENSIONS MINIMUM CPK VALUE |
| (ST) | DENOTES A CHARACTERISTIC THAT PROVIDES AN INDICATION OF PROCESS PERFORMANCE PROCEDURE FOR MEASUREMENT AND TRACKING TO BE DEFINED IN LITTELFUSE INSPECTION INSTRUCTIONS |
| CP | DENOTES CP DIMENSIONS. -MINIMUM CP VALUE MUST BE WITHIN THE DIMENSIONAL LIMITATIONS SHOWN ON DRAWING AND INITIALLY LOCATED TO ALLOW FOR MAXIMUM TOOL LIFE |

| | | |
|------------------------------|-----------|--|
| NAME | DATE | <p>Littelfuse Expertise Applied Answers Delivered</p> |
| DRAWN DSILVA | 10/3/2022 | |
| CHECKED | | TITLE |
| | | FKH - HOLDER 90 DEGREES CONNECTION |
| FORM NO. CVP-PE40-0005 REV B | | SIZE |
| THIRD ANGLE PROJECTION | | C |
| | | DWG. NO. |
| | | OL-178.7017.0000 |
| DO NOT SCALE DRAWING | SCALE 4:1 | REV. |
| | | A |
| | | SHEET 1 OF 1 |