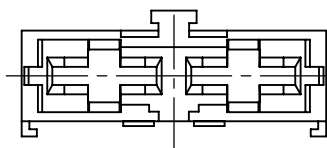
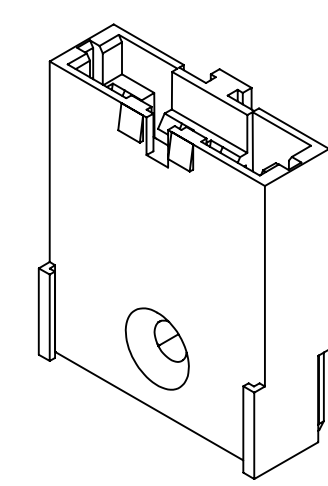
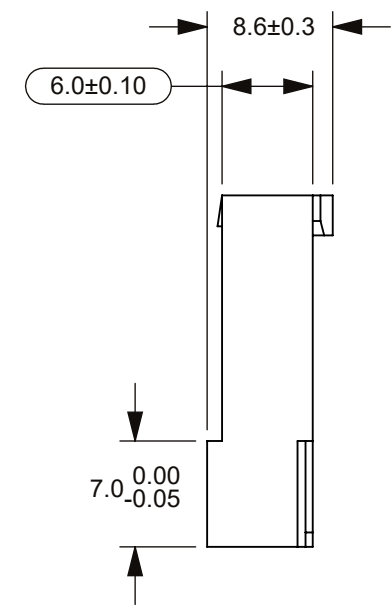
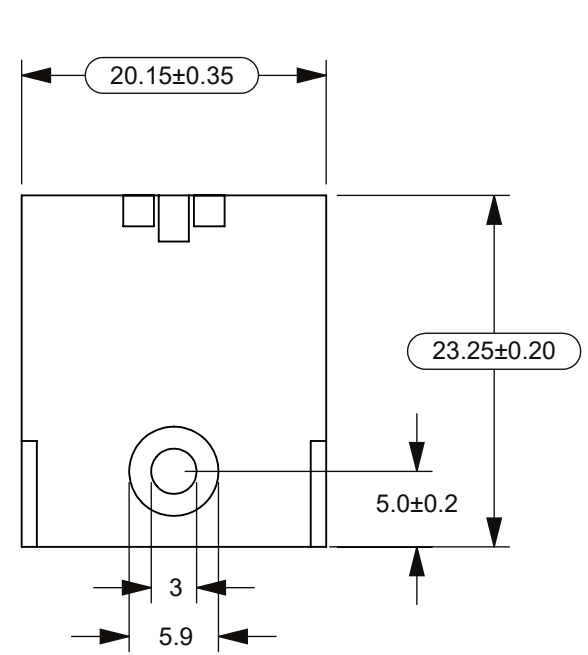


THIS DRAWING AND THE INFORMATION CONTAINED WITHIN IT ARE CONFIDENTIAL AND MAY NOT BE COPIED OR DISCLOSED WITHOUT THE WRITTEN PERMISSION OF LITTELFUSE.

| REVISIONS | | | | |
|-----------|------|--------------------------------------|-----------|----------|
| ZONE | REV. | DESCRIPTION | DATE | APPROVED |
| | A | GCF #524724 INITIAL RELEASE. DSILVA. | 1/25/2022 | L.ARGIL |



- NOTES:
1. GENERAL TOLERANCES: DIN 16901-130
 2. BASE RESIN: POLYETHYLENE (PET)
 3. FLAME RETARDANT
 4. COLOR: BLACK (ACCORDING BASE RESING)

| NO. | COMPONENT NO. | COMPONENT NAME | QTY | U |
|---|---------------|----------------|------------|-------------|
| TOLERANCES ULESS OTHERWISE SPECIFIED (REF. ISO 2768-fH) | | | | |
| .5 to 3 | >3 to 6 | >6 to 30 | >30 to 120 | >120 to 400 |
| ±0.05 | ±0.05 | ±0.1 | ±0.15 | ±0.2 |
| | | | | ANGLE |
| | | | | NONE |

DIMENSIONS ARE SHOWN IN MILLIMETERS. DIMENSIONS AND TOLERANCES ARE DEFINED ACCORDING TO ANSI/ASME Y14.5-1994.

| | | |
|------------------------------|---|---|
| PER CHI-NP020-0008 PROCEDURE | ● | FIT/ FUNCTION CRITICAL CHARACTERISTICS |
| | <S> | SAFETY/ COMPLIANCE CRITICAL CHARACTERISTICS SYMBOL |
| | CPK | DENOTES CPK DIMENSIONS MINIMUM CPK VALUE |
| | ST | DENOTES A CHARACTERISTIC THAT PROVIDES AN INDICATION OF PROCESS PERFORMANCE. PROCEDURE FOR MEASUREMENT AND TRACKING TO BE DEFINED IN LITTELFUSE INSPECTION INSTRUCTIONS |
| CP | DENOTES CP DIMENSIONS. -MINIMUM CP VALUE MUST BE WITHIN THE DIMENSIONAL LIMITATIONS SHOWN ON DRAWING AND INITIALLY LOCATED TO ALLOW FOR MAXIMUM TOOL LIFE | |

| | | |
|------------------------------|--|--|
| NAME | DATE | Expertise Applied Answers Delivered |
| DRAWN D.SILVA | 1/5/2022 | |
| CHECKED - | - | TITLE FKH HALTER SCHWARZ |
| - | - | |
| FORM NO: CVP-PE40-0003 REV B | SIZE B DWG. NO. OL-371.6150.0000 REV. A | |
| THIRD ANGLE PROJECTION | DO NOT SCALE DRAWING SCALE 2:1 SHEET 1 OF 1 | |