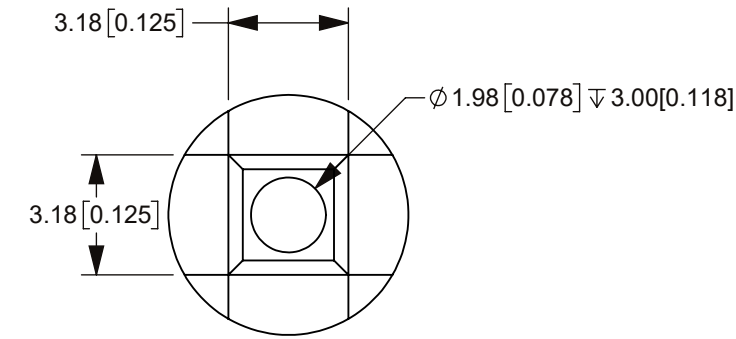
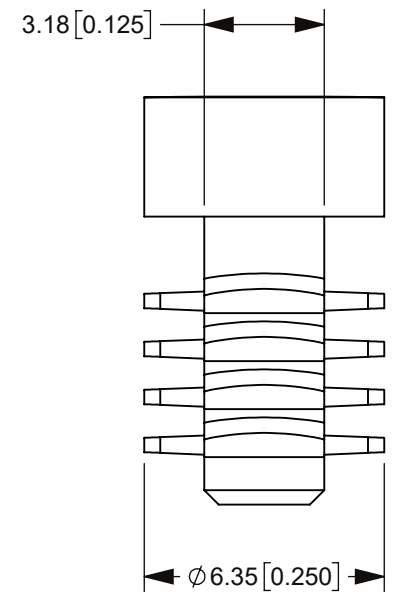
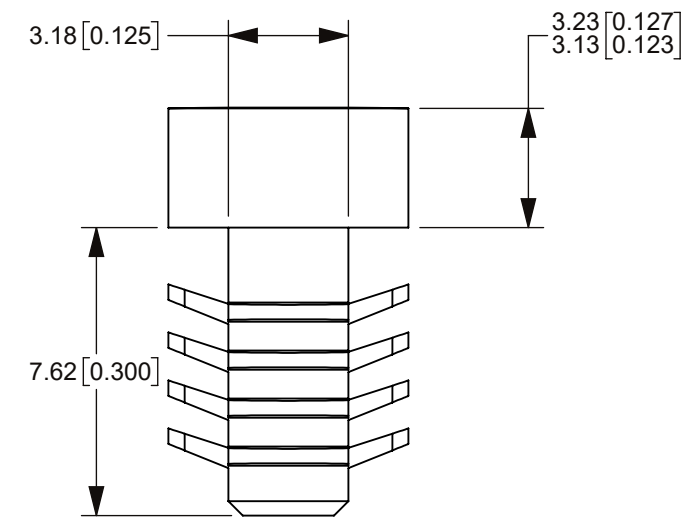
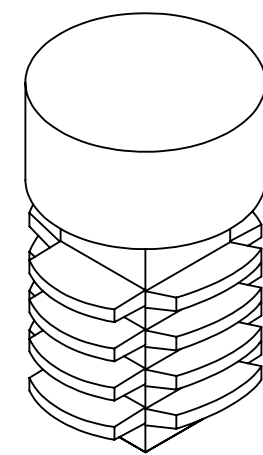
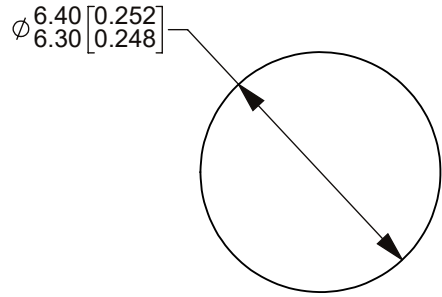


THIS DRAWING AND THE INFORMATION CONTAINED WITHIN IT ARE CONFIDENTIAL AND MAY NOT BE COPIED OR DISCLOSED WITHOUT THE WRITTEN PERMISSION OF LITTELFUSE.

PART NUMBER	COLOR
80456	RED
80456-1	YELLOW
80456-2	BLACK

REVISIONS				
ZONE	REV.	DESCRIPTION	DATE	APPROVED
	A	PCO #5300102. INITIAL RELEASE. DSILVA	10/3/2022	L.ARGIL



- NOTES:
- MATERIAL PVC, SEE CHART FOR COLOR.
  - DRAFT 0°-30° PER SIDE UNLESS NOTED OTHERWISE.
  - DIMENSIONS IN INCHES ARE SHOWN IN [ ] (REFERS TO EQUIVALENT METRIC DIMENSION TOLERANCE).
  - ALL TOLERANCES ARE NON-CUMULATIVE.
  - DIMENSIONS IN INCHES ARE MANDATORY.

NO.	COMPONENT NO.	COMPONENT NAME	QTY	U
TOLERANCES UNLESS OTHERWISE SPECIFICALLY NOTED, THE FOLLOWING ARE THE DEFAULT TOLERANCES (INCHES).				
TWO PLACES ±0.02"		THREE PLACES ±0.005"	ANGULAR ±1°	
DIMENSIONS ARE SHOWN IN MILLIMETERS. DIMENSIONS AND TOLERANCES ARE DEFINED ACCORDING TO ANSI/ASME Y14.5-1994.				
PER CH-IN-PPD20-0008 PROCEDURE	●	FIT/ FUNCTION CRITICAL CHARACTERISTICS		
	<S>	SAFETY/ COMPLIANCE CRITICAL CHARACTERISTICS SYMBOL		
	CPK	DENOTES CPK DIMENSIONS MINIMUM CPK VALUE		
	ST	DENOTES A CHARACTERISTIC THAT PROVIDES AN INDICATION OF PROCESS PERFORMANCE. PROCEDURE FOR MEASUREMENT AND TRACKING TO BE DEFINED IN LITTELFUSE INSPECTION INSTRUCTIONS		
CP	DENOTES CP DIMENSIONS. -MINIMUM CP VALUE MUST BE WITHIN THE DIMENSIONAL LIMITATIONS SHOWN ON DRAWING AND INITIALLY LOCATED TO ALLOW FOR MAXIMUM TOOL LIFE			
DRAWN	NAME	DATE	 <b>Expertise Applied   Answers Delivered</b>	
CHECKED	DSILVA	7/26/2022		
FORM NO: CVP-PE40-0003 REV B			TITLE	
THIRD ANGLE PROJECTION			PIN	
	SIZE	DWG. NO.	REV.	
	B	OUTLINE	OL-80456	A
DO NOT SCALE DRAWING			SCALE 5:1	SHEET 1 OF 1