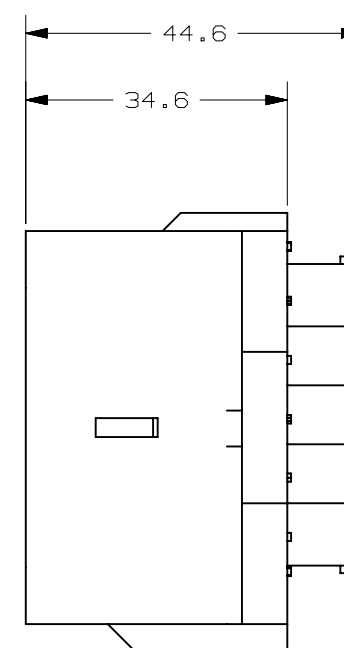
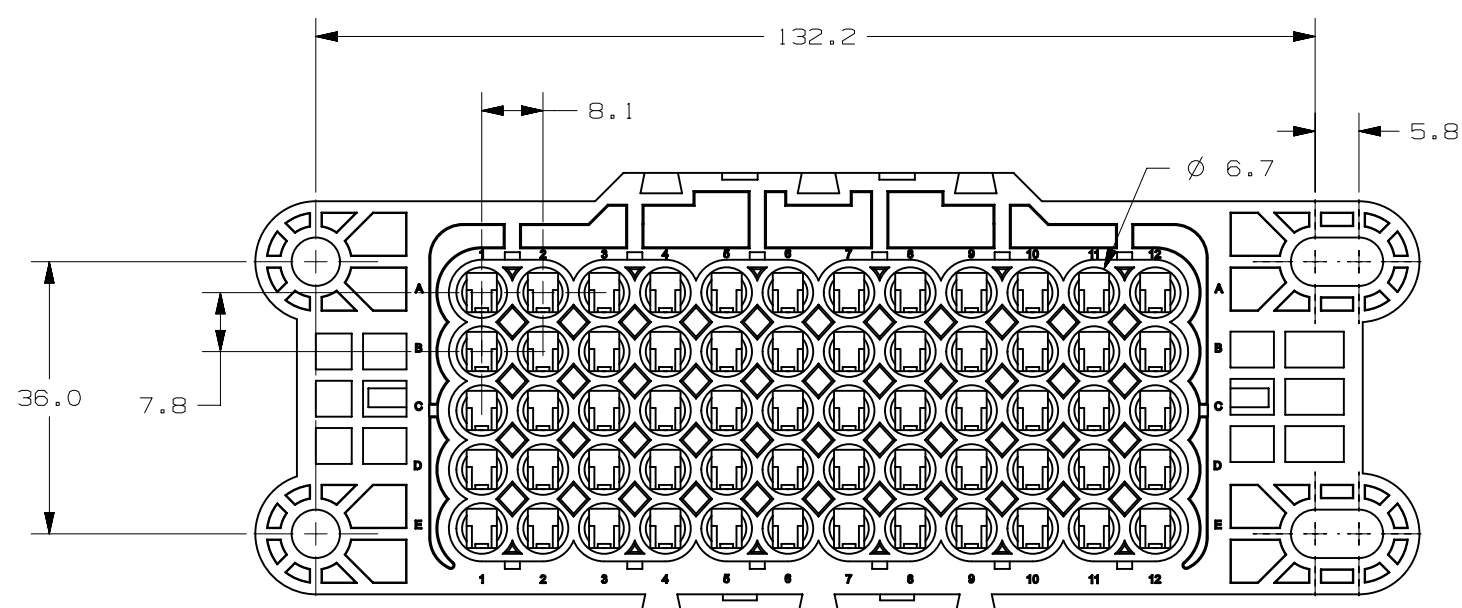
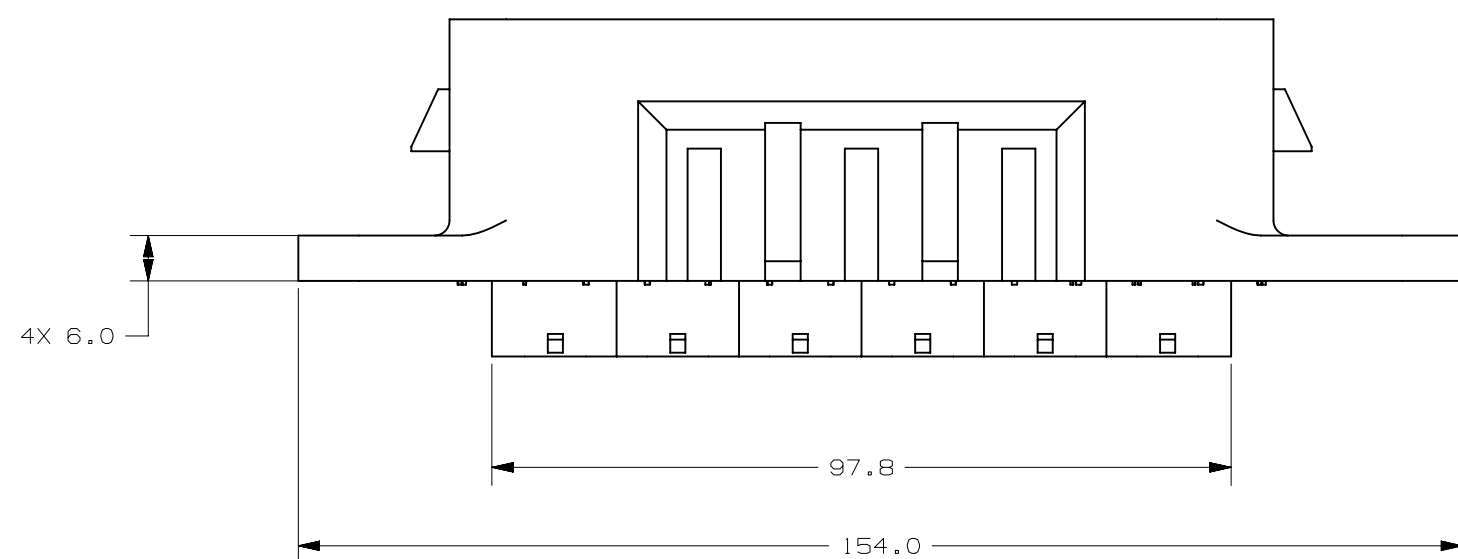
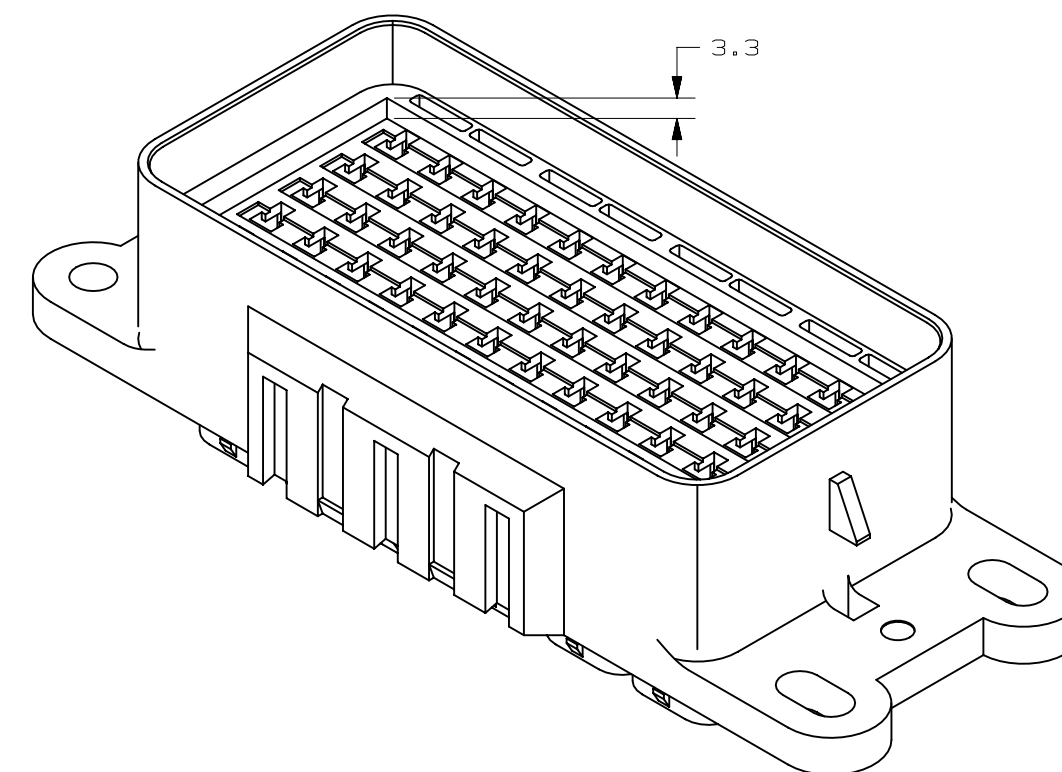
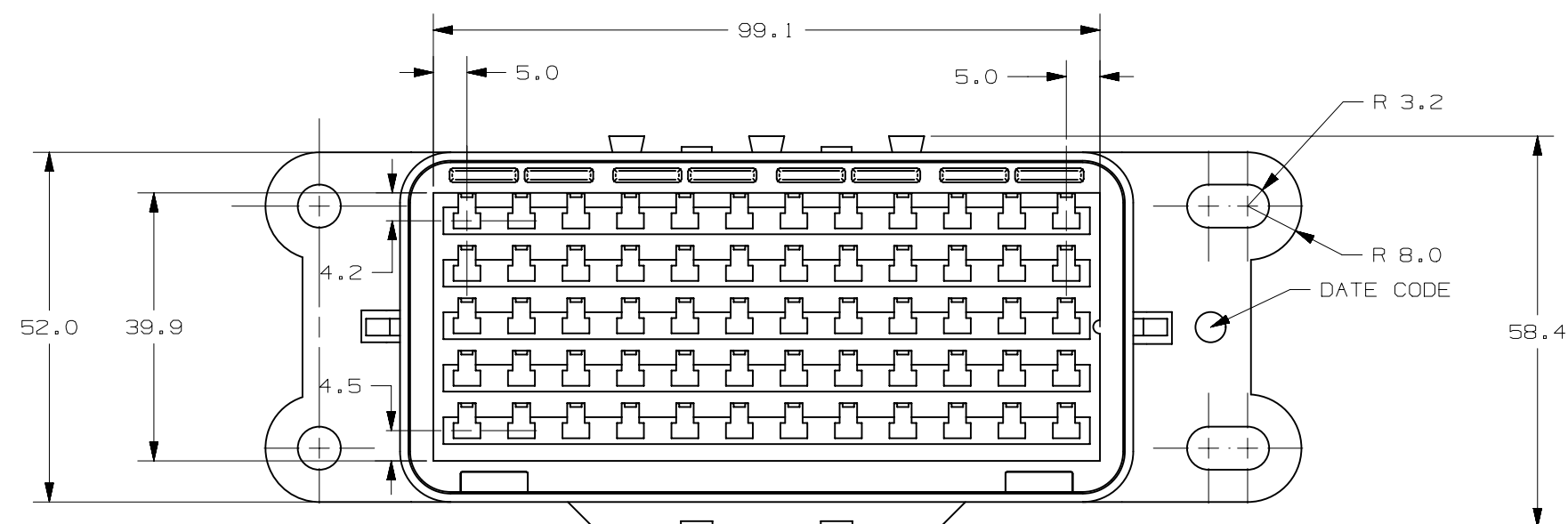


LTR	DATE	REVISION	CHK	APD
A	01/22/14	510030ERA-RELEASE	FYUE	
B	07/18/14	510793ECA-ADD DIMENSTONS	FYUE	



NO	COMPONENT NO	DESCRIPTION	QTY/M	U/M
-				
-				
-				

BILL OF MATERIAL

UNLESS OTHERWISE SPECIFIED, DIMENSIONS ARE IN MILLIMETERS.
DIMENSIONS IN BRACKETS [] ARE INCHES

UNLESS OTHERWISE SPECIFIED, DIMENSIONS DO NOT INCLUDE PLATING.

⊙	DENOTES CRITICAL CHARACTERISTICS.
CPK	DENOTES CPK DIMENSIONS, -MINIMUM CPK VALUE
ST	DENOTES A CHARACTERISTIC THAT PROVIDES AN INDICATION OF PROCESS PERFORMANCE. PROCEDURE FOR MEASUREMENT AND TRACKING TO BE DEFINED IN LITTELFUSE INSPECTION INSTRUCTIONS
CP	DENOTES CP DIMENSIONS, -MINIMUM CP VALUE MUST BE WITHIN THE DIMENSIONAL LIMITATIONS SHOWN ON DRAWING AND INITIALLY LOCATED TO ALLOW FOR MAXIMUM TOOL LIFE

COPIES TO	MATL SPEC
1 9 18	Mapex PA66 A0520FN-03 (30%GF)
2 10 19	FINISH
3 12 20	NONE
4 13 21	DRW FYUE
5 14 23	DATE 01/22/14
6 15 33	SCALE 1:1
7 16 43	CHK DATE
8 17 53	SUPER DR
	FINSH GOOD WT
	GRAMS/PIECE

TOLERANCES UNLESS OTHERWISE SPECIFIED (REF. ISO 2768-MH)	DIMENSION	0.5 - 3	3 - 6	6 - 30	30 - 120	120 - 400
TOLERANCE		+0.1	+0.1	+0.2	+0.3	+0.5

3RD ANGLE PROJECTION	TITLE
⊕	BASE

METRIC
COMPONENT

Littelfuse
CHICAGO, USA 773-628-1000

REVISION B
DRWG. NO. OL-868-163
OUTLINE

CAD GENERATED DRAWING - NO PENCIL CHANGES ALLOWED (rev C)