

THIS DRAWING AND THE INFORMATION CONTAINED WITHIN IT ARE CONFIDENTIAL AND MAY NOT BE COPIED OR DISCLOSED WITHOUT THE WRITTEN PERMISSION OF LITTELFUSE.

NOTES: (UNLESS OTHERWISE SPECIFIED)

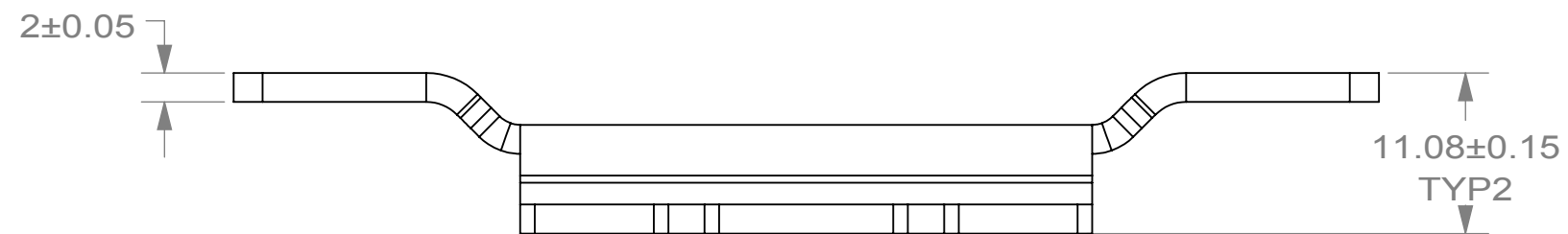
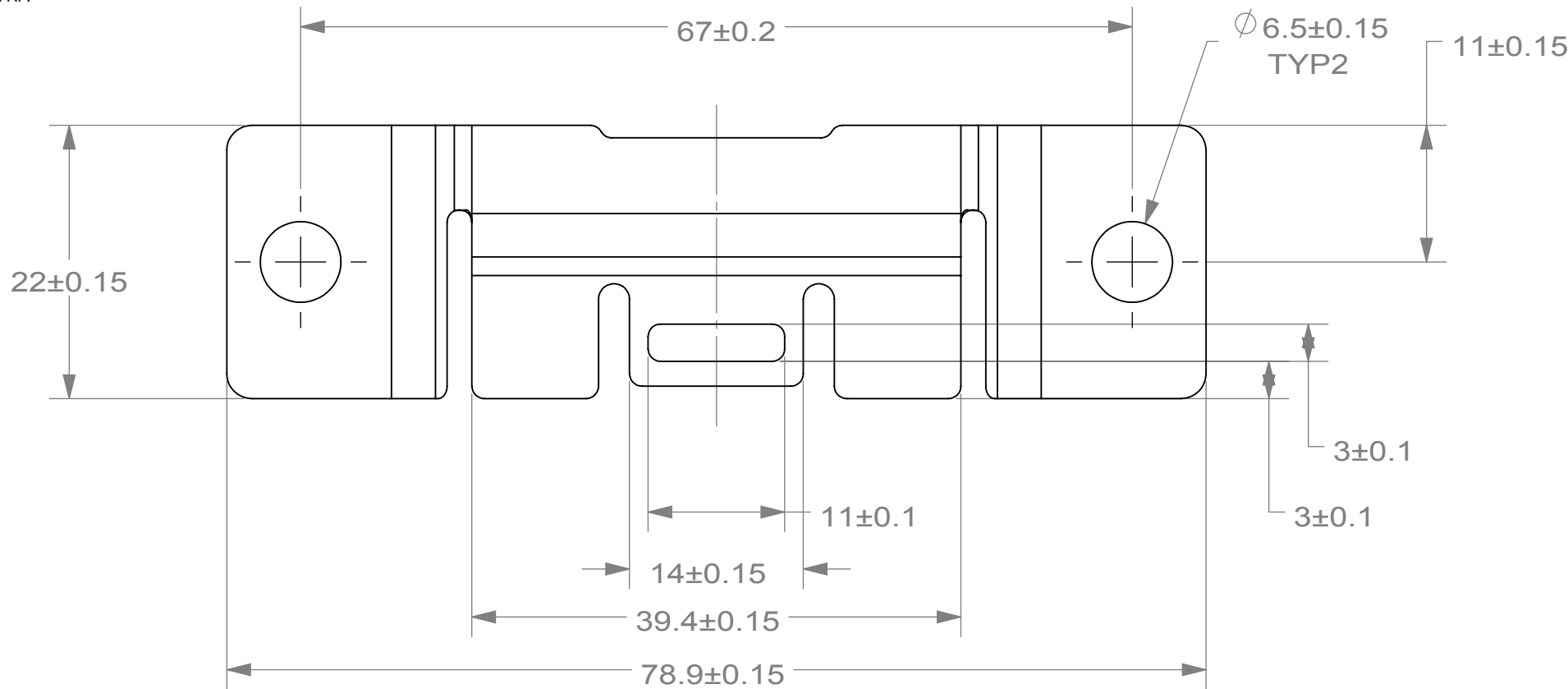
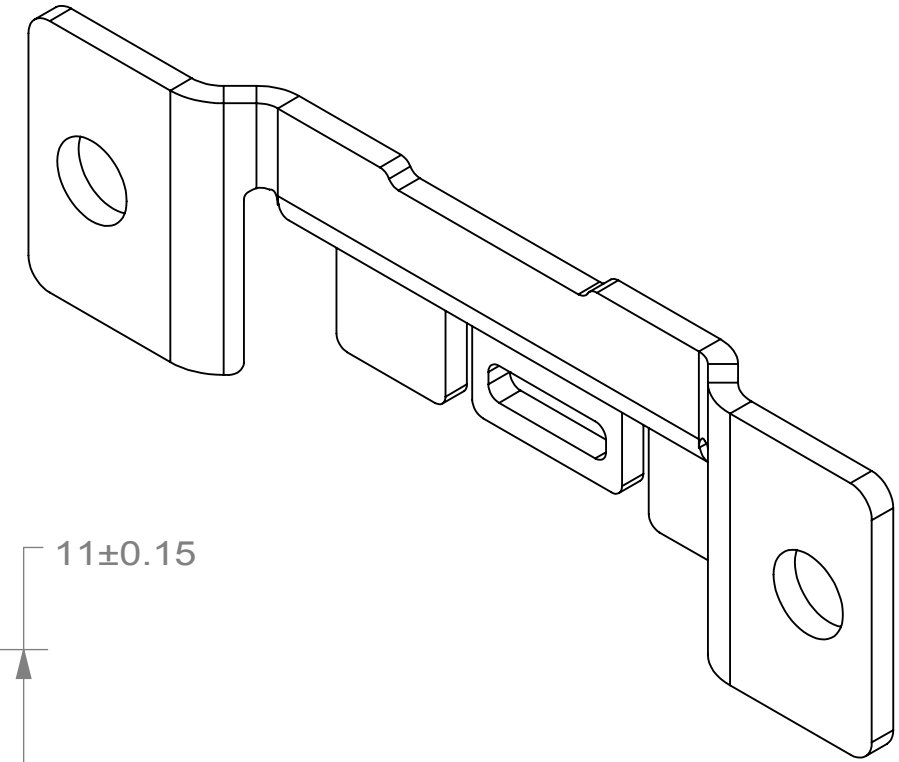
1. DESCRIPTION:
1.1. ASSOCIATED 3D CAD FILE DEFINES ALL NON-DIMENSIONED FEATURES.

2. MATERIAL:
2.1. MATERIAL SHALL BE SPCC, ZINC CHROMATE PLATED (T >=8 MICRONS)

3. DIMENSIONING AND APPEARANCE:
3.1. BLANKING BURRS MUST NOT EXCEED 0.1MM; THE SPECIFIED AREA BURRS SHOULD NOT EXCEED 0.03MM.
3.2. 0.13 MAX RADII & FILLETS PERMISSIBLE ON ALL CORNERS.
3.3. ALL DIMENSIONS APPLY AFTER PLATING.
3.4. SYMBOL ● INDICATES A CRITICAL DIMENSION OR FEATURE WHICH HAVE ASSEMBLY OR FUNCTION REQUIREMENT, ALL THESE DIMENSION SHOULD BE IN TOLERANCE. CPK SHOULD BE MONITORED IN THE PRODUCTION PROCESS USING PROCESS CONTROL METHODS.
3.5. PUNCH DIRECTION ACCORDING TO DRAWING SPECIFICATION
3.6. FINISHED PARTS TO BE CLEAN AND FREE FROM ALL FOREIGN MATTER
3.7. BURRS SHOULD BE ELIMINATED.

4. SUPPLIER REQUIREMENT:
4.1. LITTELFUSE TO BE SUPPLIED WITH A COMPLETE SET OF TOOLING DRAWINGS SUBJECT TO SIGNED APPROVAL PRIOR TO COMMENCING TOOLING.
4.2. LITTELFUSE MUST BE NOTIFIED BEFORE ANY TOOLING CHANGES TAKE PLACE AFTER INITIAL PPAP.

REVISIONS				
ZONE	REV.	DESCRIPTION	DATE	APPROVED
	A	PER EC516433: INITIAL RELEASE	9/22/2016	D.CHENG



DIMENSIONS ARE SHOWN IN MILLIMETERS. DIMENSIONS AND TOLERANCES ARE DEFINED ACCORDING TO ANSI/ASME Y14.5-1994.

- DENOTES PRODUCTS CRITICAL CHARACTERISTICS
- CPK DENOTES CPK DIMENSIONS MINIMUM CPK VALUE
- ST DENOTES A CHARACTERISTIC THAT PROVIDES AN INDICATION OF PROCESS PERFORMANCE. PROCEDURE FOR MEASUREMENT AND TRACKING TO BE DEFINED IN LITTELFUSE INSPECTION INSTRUCTIONS
- CP DENOTES CP DIMENSIONS, -MINIMUM CP VALUE MUST BE WITHIN THE DIMENSIONAL LIMITATIONS SHOWN ON DRAWING AND INITIALLY LOCATED TO ALLOW FOR MAXIMUM TOOL LIFE

DIMENSION	0.5 - 3	3 - 6	6 - 30	30 - 120	120 - 400	ANGLE
TOLERANCES	±0.1	±0.1	±0.2	±0.3	±0.5	±0.5°

NAME	DATE
DRAWN: D.CHENG	07/06/2015
CHECKED: -	-
-	-
-	-

Littelfuse
 Expertise Applied | Answers Delivered
 No.6 Xinghai Street, Suzhou Industry Park, China
 Phone +86 512 6761 3189 Fax +86 512 6761 1489

TITLE: **BRACKET NEW**

THIRD ANGLE PROJECTION

SIZE: B	DWG. NO. OL-868-964	REV. A
---------	---------------------	--------

DO NOT SCALE DRAWING | SCALE 2:1 | SHEET 1 OF 1