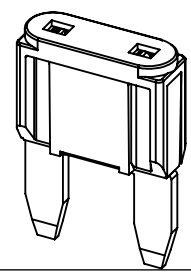
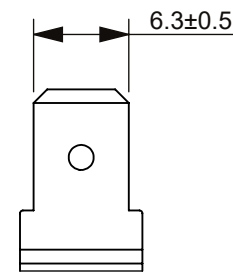
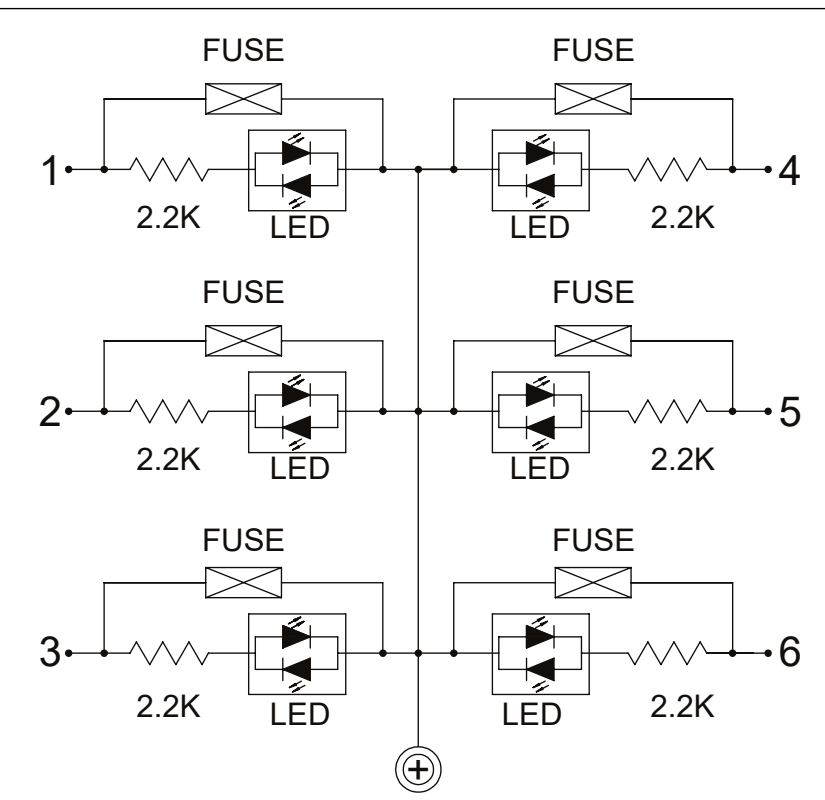


THIS DRAWING AND THE INFORMATION CONTAINED WITHIN IT ARE CONFIDENTIAL AND MAY NOT BE COPIED OR DISCLOSED WITHOUT THE WRITTEN PERMISSION OF LITTELFUSE.

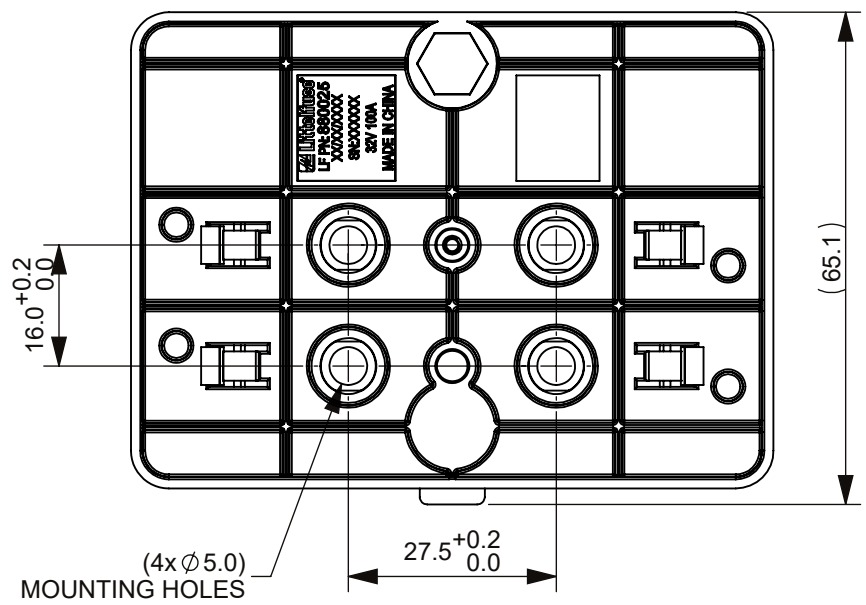
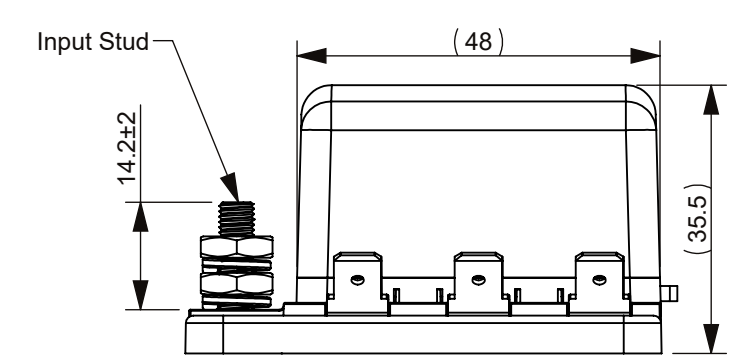
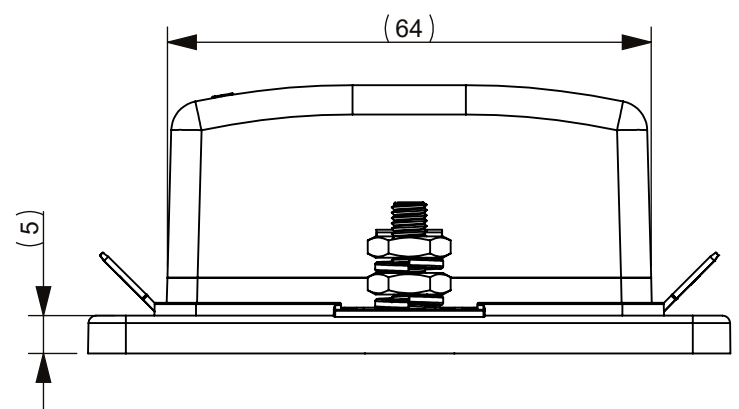
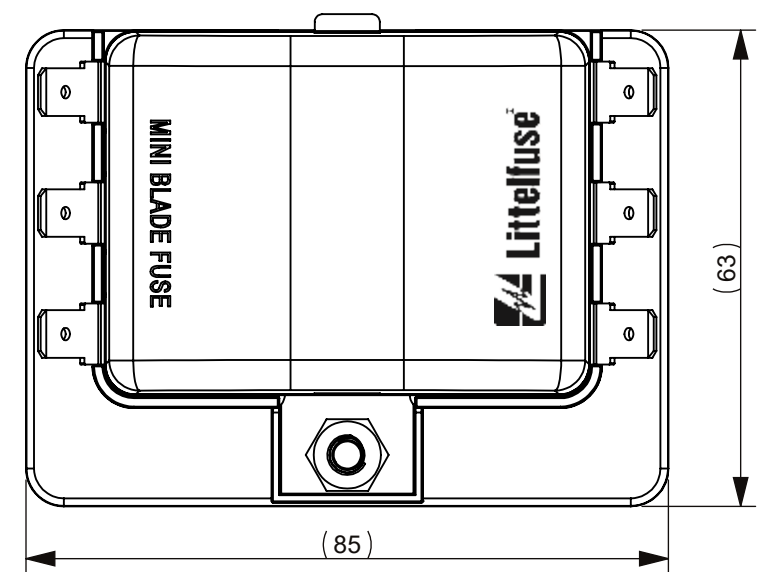
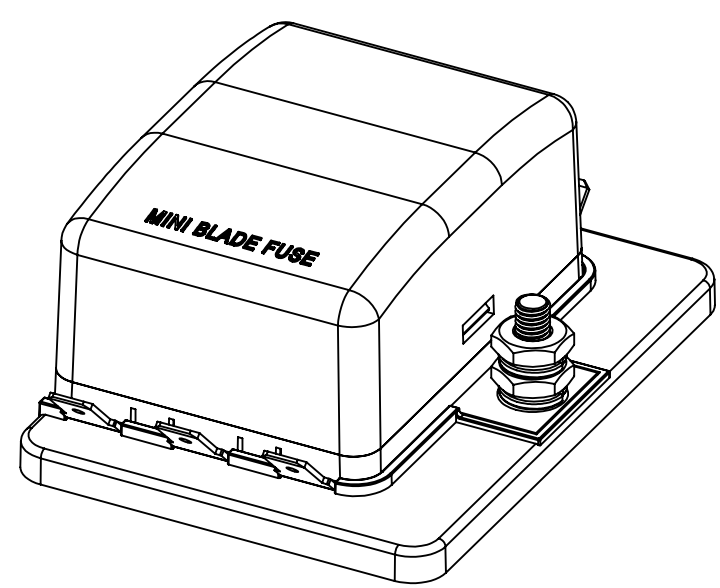
REVISIONS				
ZONE	REV.	DESCRIPTION	DATE	APPROVED
	A	522970GCC NEW RELEASE DRAWING	04/MAR/2021	EDWARD J
	B	523692 ECC CHANGE THE MOLDED CONTENTS TO LASER MARKING	11/MAY/2021	EDWARD J

Voltage (Max.)	32VDC	Mounting Screw	Blade Fuse Isometric View
Input Terminal Rating	#10-32 Threaded Studs(100A Max)	4x M5xP0.8xL25	
Output Terminal Rating	30A Max. Per Circuit		
Connection Pad Option Available	Input Wire Size:#4-6 AWG	Terminal Dim	Blade Fuse Dim
	Output Wire Size:#12-16AWG		
Fuse Specifications	For Mini Blade Fuses Only		Mini SERIES
Torque Rating for Input Stud	2.25+0/-0.2Nm(20 in-lb)		
Mounting Torque Rating	0.9+0/-0.1Nm(8 in-lb)		
Temperature Rating	-20° C to +85° C		



Circuit Diagram



Power Input



- NOTES:
- MATERIALS:
 BASE/HOUSING: BLACK PBT
 COVER: TRANSPAREANCE PC
 TERMINAL:TINNED COPPER
 PUSH BOTTOM:POM WHITE
 - FUSES ASSEMBLY BY HANDS.
 - ALL FUSES MUST NOT EXCEED 70% OF RATED CURRENT
 - RED LED INDICATES WHEN FUSE IS BROKEN.

DIMENSIONS ARE SHOWN IN MILLIMETERS. DIMENSIONS AND TOLERANCES ARE DEFINED ACCORDING TO ANSI/ASME Y14.5-1994.		
●	FIT FUNCTION CRITICAL CHARACTERISTICS SYMBOL	
<S>	SAFETY/ COMPLIANCE CRITICAL CHARACTERISTICS SYMBOL	
CPK	DENOTES CPK DIMENSIONS MINIMUM CPK VALUE	
(ST)	DENOTES A CHARACTERISTIC THAT PROVIDES AN INDICATION OF PROCESS PERFORMANCE PROCEDURE FOR MEASUREMENT AND TRACKING TO BE DEFINED IN LITTELFUSE INSPECTION INSTRUCTIONS	
CP	DENOTES CP DIMENSIONS - MINIMUM CP VALUE MUST BE WITHIN THE DIMENSIONAL LIMITATIONS SHOWN ON DRAWING AND INITIALLY LOCATED TO ALLOW FOR MAXIMUM TOOL LIFE	
DIMENSION: MM TOLERANCES UNLESS OTHERWISE SPECIFIED ONE PLACE DECIMAL ± 0.5 THREE PLACES DECIMAL ± 0.100 TWO PLACES DECIMAL ± 0.20 ANGULAR ± 2°		
DRAWN	NAME: Sunny Pan	DATE: 22/OCT/2020
CHECKED	NAME: Jason Li	DATE: 22/OCT/2020
		
Expertise Applied Answers Delivered		
FORM NO: CVP-PE40-0006 REV A		
THIRD ANGLE PROJECTION		
TITLE: STD DUTY MINI PDM 6 POS		
	SIZE: C	DWG. NO.: OL-880025
DO NOT SCALE DRAWING	SCALE: 1:1	SHEET 1 OF 1