

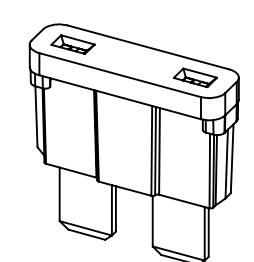
THIS DRAWING AND THE INFORMATION CONTAINED WITHIN IT ARE CONFIDENTIAL AND MAY NOT BE COPIED OR DISCLOSED WITHOUT THE WRITTEN PERMISSION OF LITTELFUSE.

REVISIONS				
ZONE	REV.	DESCRIPTION	DATE	APPROVED
	A	522970GCC NEW RELEASE DRAWING	04/MAR/2021	EDWARD.J
	B	523692 ECC ADD LASER MARKING	11/MAY/2021	EDWARD.J

Voltage (Max.)	32VDC
Input Terminal Rating	M5 Threaded Studs(100A Max)
Output Terminal Rating	30A Max. Per Circuit
Connection Pad Option Available	Input Wire Size:#4-6 AWG
	Output Wire Size:#12-16AWG
Fuse Specifications	For ATO Blade Fuses Only
Torque Rating for M5 Studs	2.25+0/-0.2Nm(20 in-lb)
Torque Rating for M4 Screws	
Mounting Torque Rating	0.9+0/-0.1Nm(8 in-lb)
Temperature Rating	-25 ° C to +85 ° C

Mounting Screw

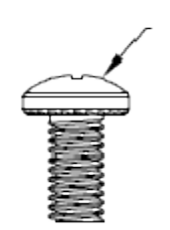
Blade Fuse Isometric View



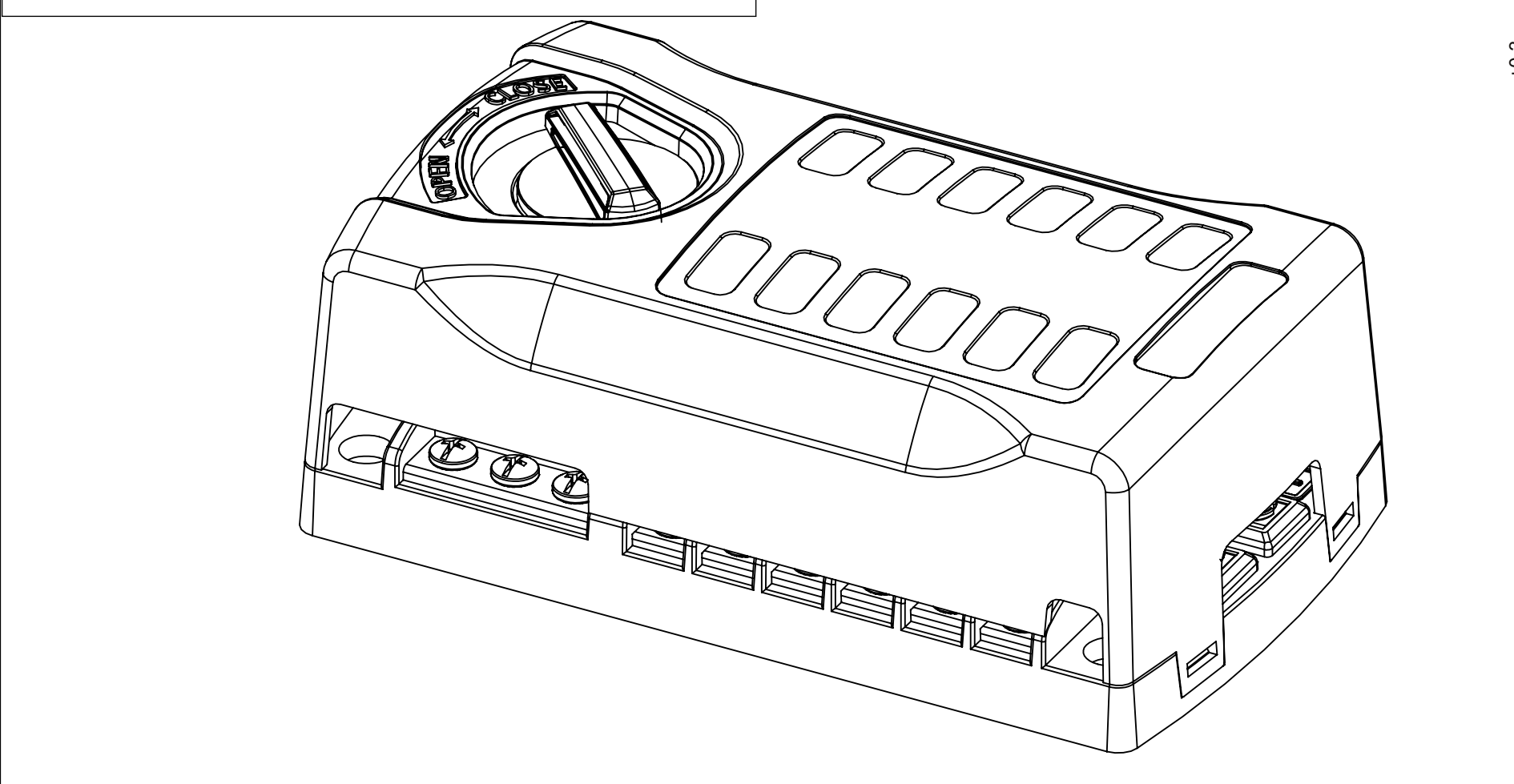
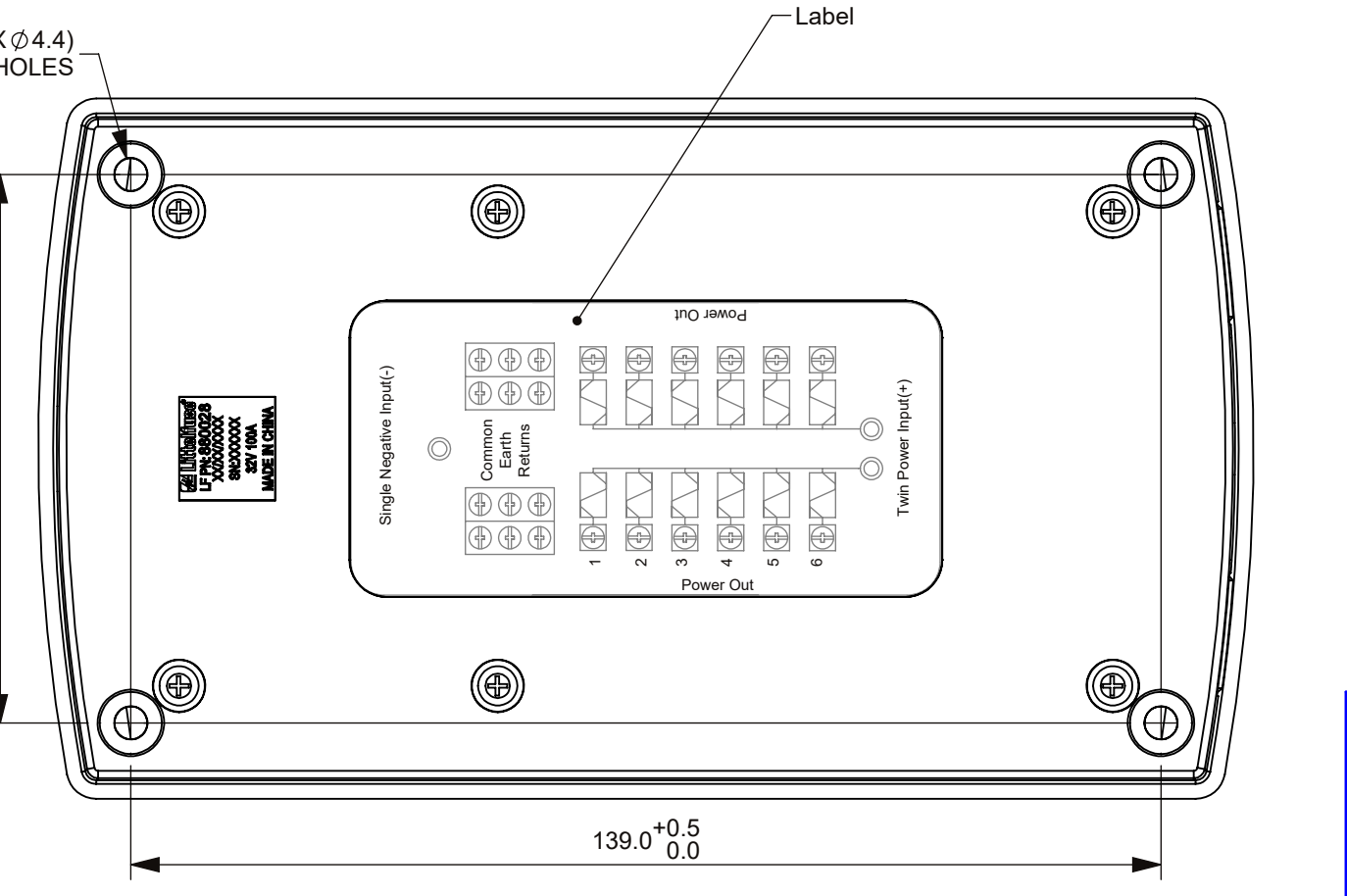
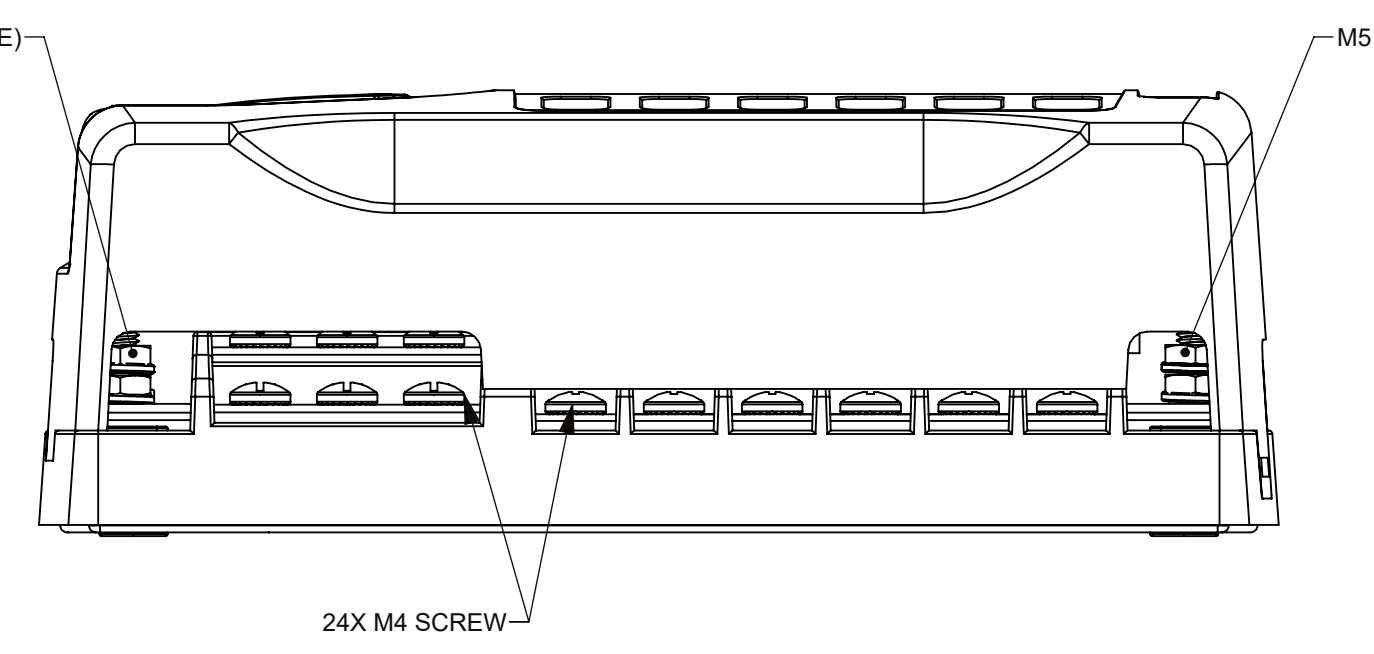
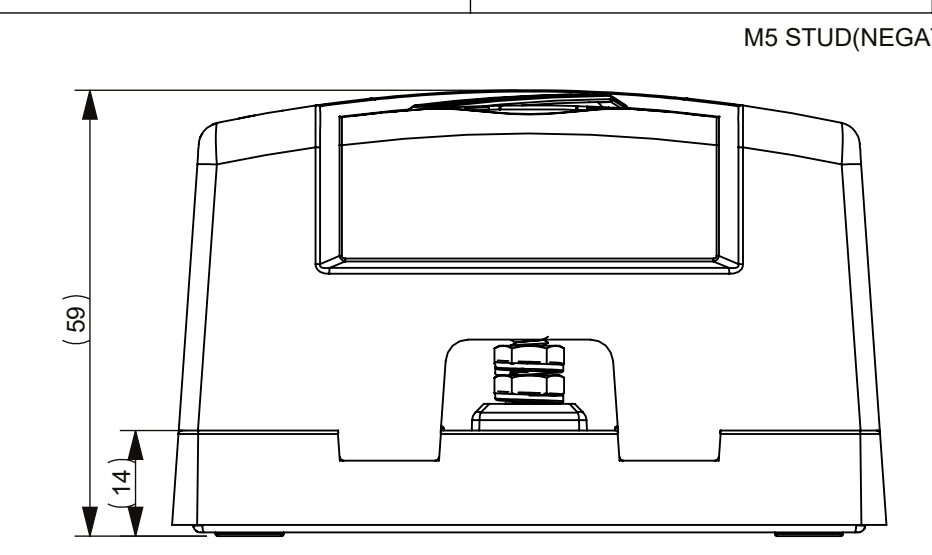
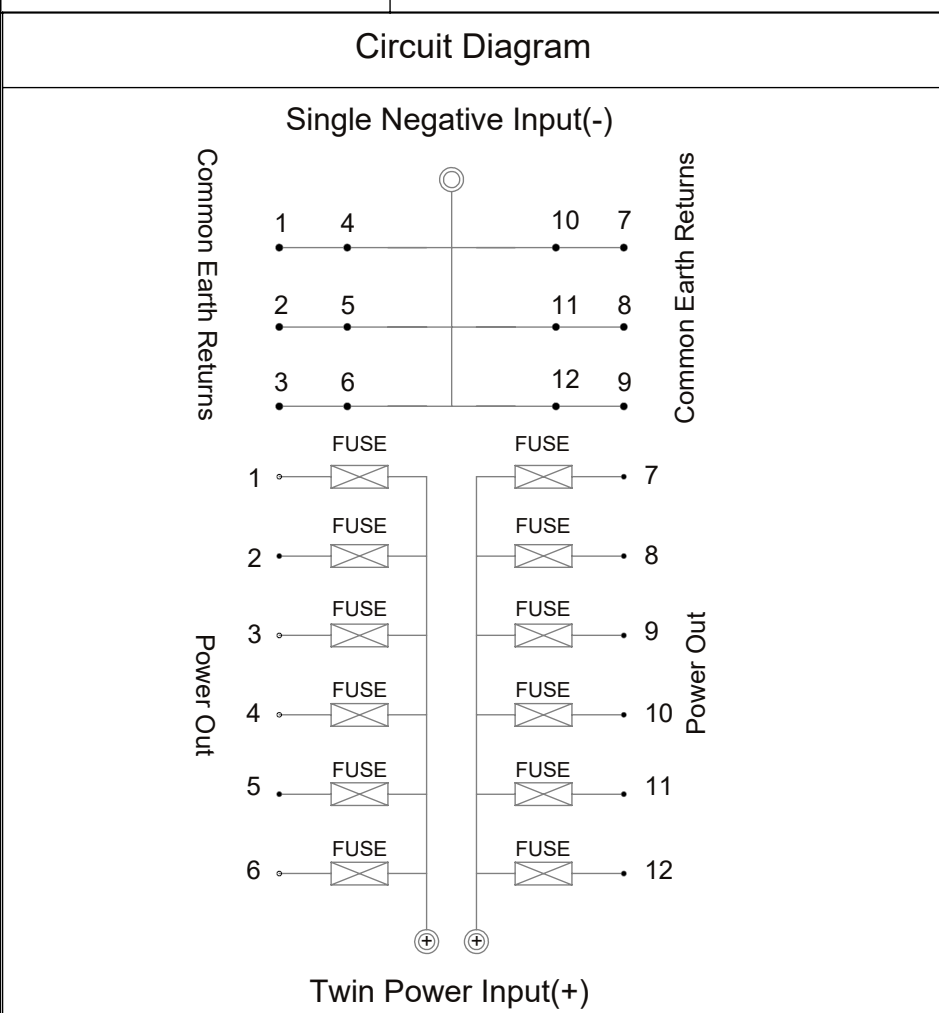
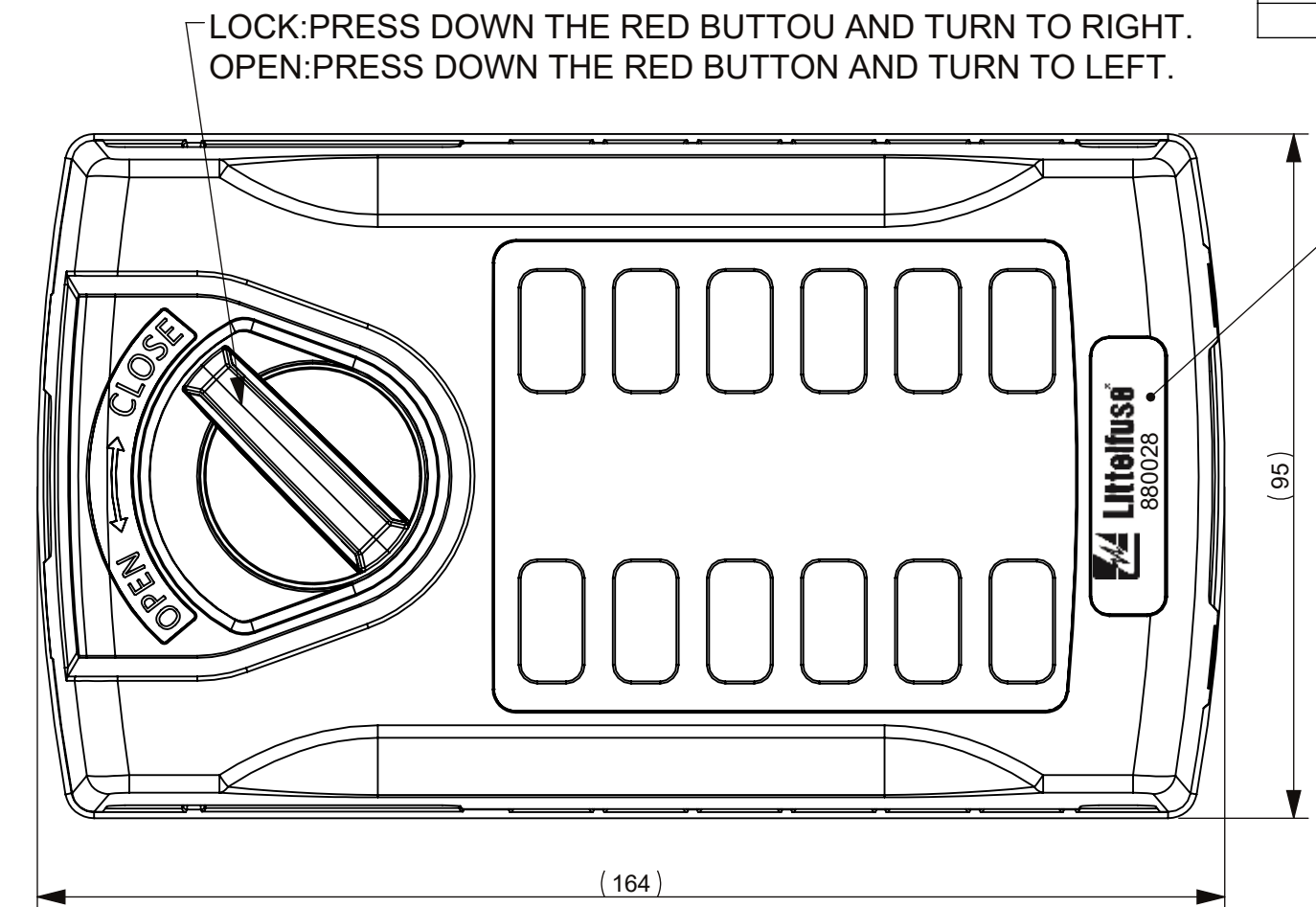
Blade Fuse Dim

ATO SERIEIS

4x M4xP0.7xL16



M4 Screws




- NOTES:
- MATERIALS:
BASE/HOUSING: BLACK PBT
COVER: TRANSPAREANCE PC
TERMINAL:TINNED COPPER
 - FUSES ASSEMBLY BY HANDS.
 - ALL FUSES MUST NOT EXCEED 70% OF RATED CURRENT

DIMENSIONS ARE SHOWN IN MILLIMETERS. DIMENSIONS AND TOLERANCES ARE DEFINED ACCORDING TO ANSI/ASME Y14.5-1994.

●	FIT FUNCTION CRITICAL CHARACTERISTICS SYMBOL
<S>	SAFETY/ COMPLIANCE CRITICAL CHARACTERISTICS SYMBOL
CPK	DENOTES CPK DIMENSIONS MINIMUM CPK VALUE
(ST)	DENOTES A CHARACTERISTIC THAT PROVIDES AN INDICATION OF PROCESS PERFORMANCE PROCEDURE FOR MEASUREMENT AND TRACKING TO BE DEFINED IN LITTELFUSE INSPECTION INSTRUCTIONS
CP	DENOTES CP DIMENSIONS - MINIMUM CP VALUE MUST BE WITHIN THE DIMENSIONAL LIMITATIONS SHOWN ON DRAWING AND INITIALLY LOCATED TO ALLOW FOR MAXIMUM TOOL LIFE

DIMENSION: MM TOLERANCES UNLESS OTHERWISE SPECIFIED
ONE PLACE DECIMAL ± 0.5 THREE PLACES DECIMAL ± 0.100
TWO PLACES DECIMAL ± 0.20 ANGULAR ± 2°

NAME	DATE
BROWN Sunny Pan	22/OCT/2020
CHECKED Jason Li	22/OCT/2020



Expertise Applied | Answers Delivered

FORM NO: CVP-PE40-0006 REV A

THIRD ANGLE PROJECTION

TITLE: 880028 PDM 12 POS

SIZE: C DWG. NO.: OL-880028 REV. B

DO NOT SCALE DRAWING SCALE 1:1 SHEET 1 OF 1