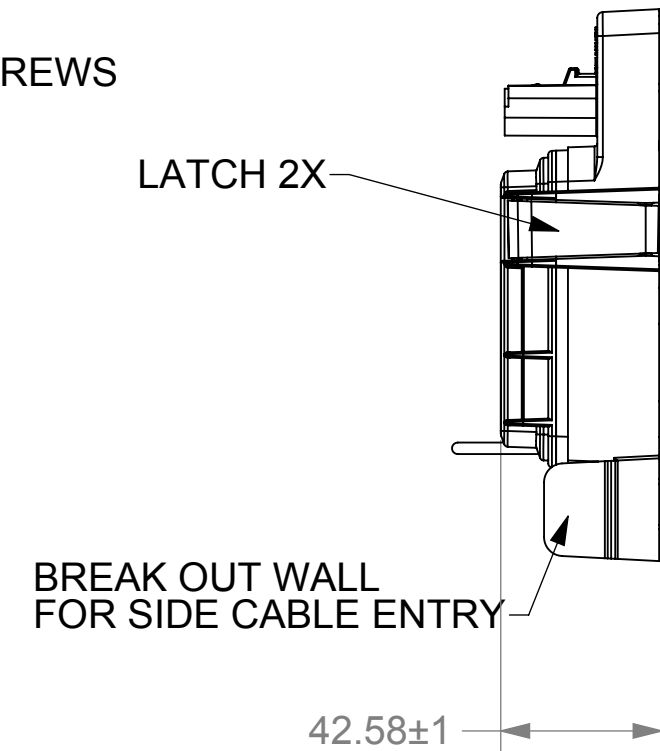
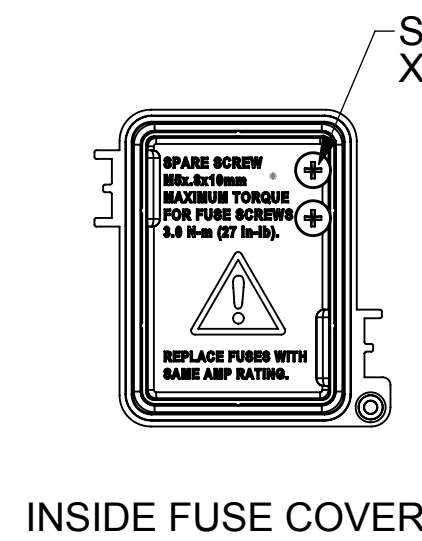
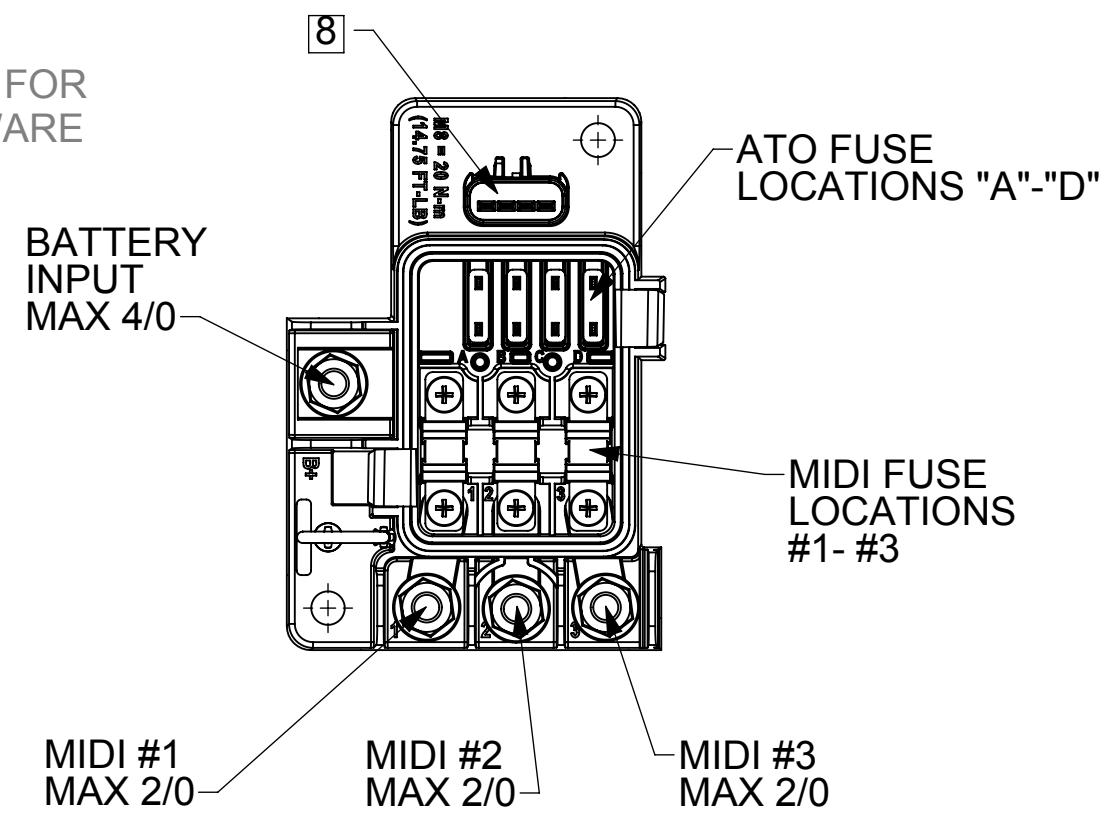
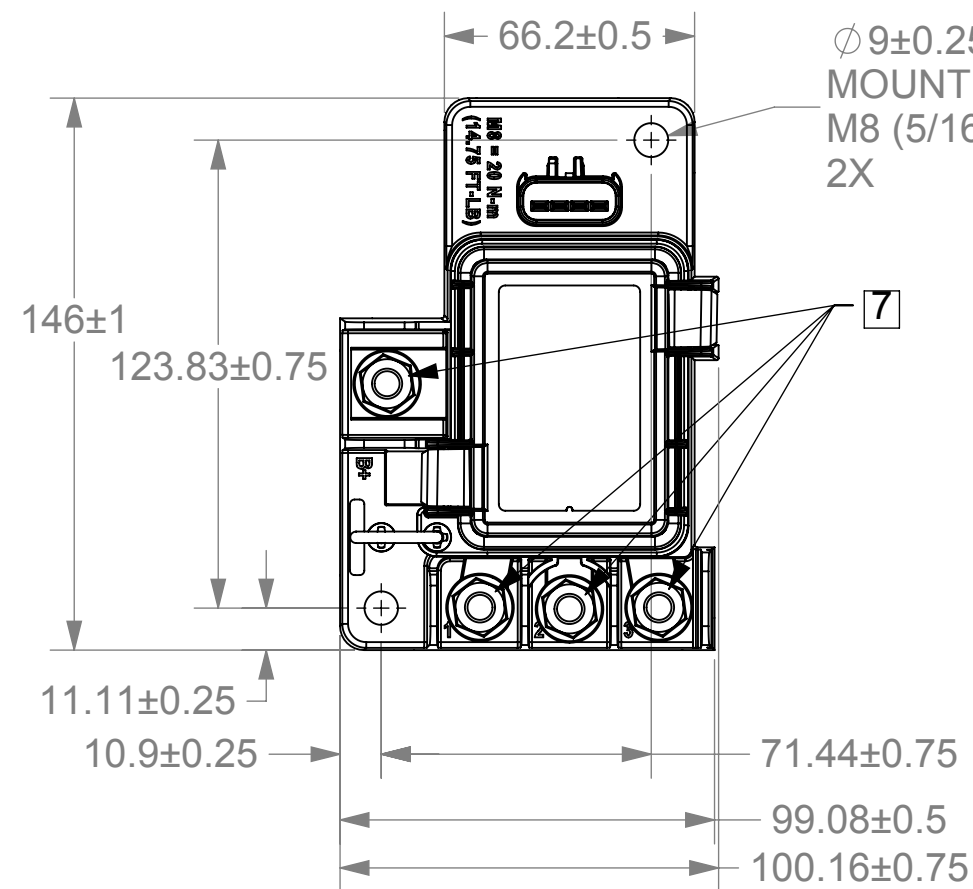
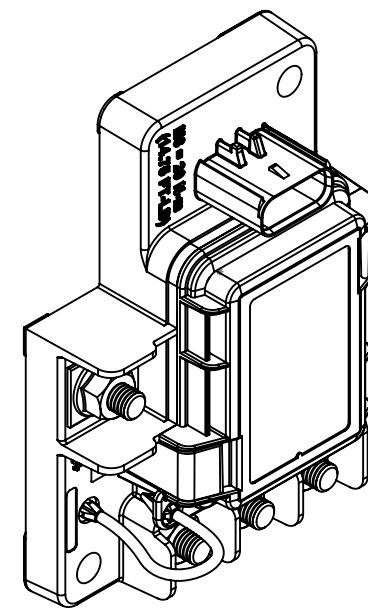


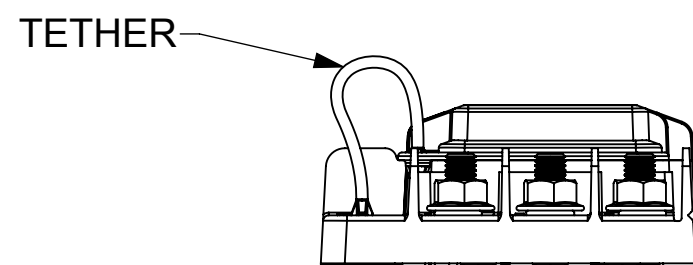
REVISIONS				
ZONE	REV.	DESCRIPTION	DATE	APPROVED
	A	PER EC#510230: INITIAL RELEASE	3/5/2014	J. KAUFMAN

NOTES:

- DRAWING SHOWN WITH FUSES INSTALLED, FUSE LOADING CONFIGURATION DEPENDANT
- ALL STUDS TO BE STAINLESS STEEL WITH ROLLED THREADS
- ALL BUS BARS TO BE TIN PLATED COPPER
- WEIGHT: 0.86 LB
- RECCOMENDED TORQUE VALUES:
 - MIDI FUSES - 3 N-m(27 IN-LB)
 - RECOMMENDED INPUT TERMINAL STUD NUT TORQUE - 20 N-m(15 FT-LB)
 - RECOMMENDED OUTPUT TERMINAL STUD NUT TORQUE - 20 N-m(15 FT-LB)
- DRAWING SHOWN WITHOUT OPTIONAL LABEL, LABEL LOCATED ON OUTSIDE OF COVER
- INCLUDED HARDWARE (TO BE INSTALLED AT LESS THAN 300 RPM);
 - M8x1.25 18-8 STAINLESS STEEL 4X
- CONNECTOR HOUSING: FCI APEX 2.8MM FEMALE 4-WAY
FCI P/N: 54200409
- MATERIAL:
HOUSING: GLASS FILLED NYLON 94V-0 COVER: PC 94V-0
- MIN/MAX TEMPERATURE RATING: OPESTRATIONAL: -40C~100C NON-OPERATIONAL: -55C~125C
- MAX CURRENT INPUT: 350 AMPS



FUSE COVER NOT SHOWN



PART NUMBER	FUSE A PN	FUSE B PN	FUSE C PN	FUSE D PN	FUSE 1 PN	FUSE 2 PN	FUSE 3 PN
880073100	0287010.PXS	0287015.PXS	0287020.PXS	0287020.PXS	0498050.M	0498030.M	0498030.M

DIMENSIONS ARE IN MM.
DIMENSIONS AND TOLERANCES ARE DEFINED ACCORDING TO ANSI / ASME Y14.5M-1994
THIS DRAWING AND THE INFORMATION CONTAINED WITHIN IT ARE CONFIDENTIAL AND MAY NOT BE COPIED OR DISCLOSED WITHOUT THE WRITTEN PERMISSION OF LITTELFUSE.

NAME	DATE
J. LIU	3/5/2014
CHECKED	-
-	-
-	-
-	-

THIRD ANGLE PROJECTION

Littelfuse
Expertise Applied | Answers Delivered
425 Sequoia Drive Bellingham, WA 98226
Phone (360)738-9010 Fax (360)738-0372

PDM XT Series

SIZE DWG. NO. **OL-880073000** REV. **A**
SCALE 1:2 SHEET 1 OF 1