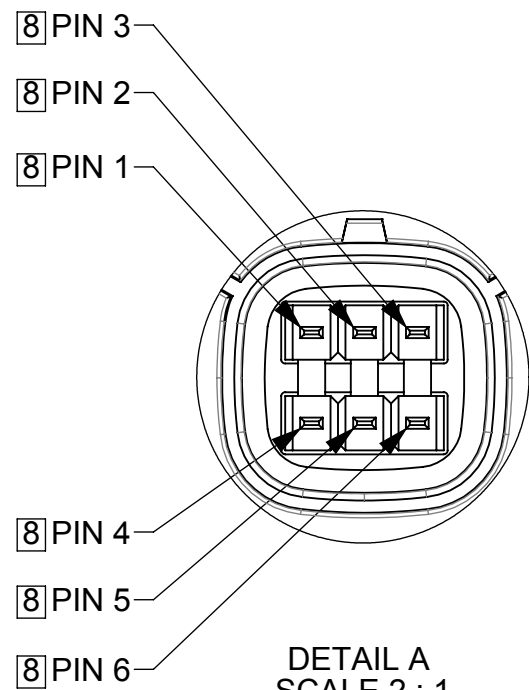


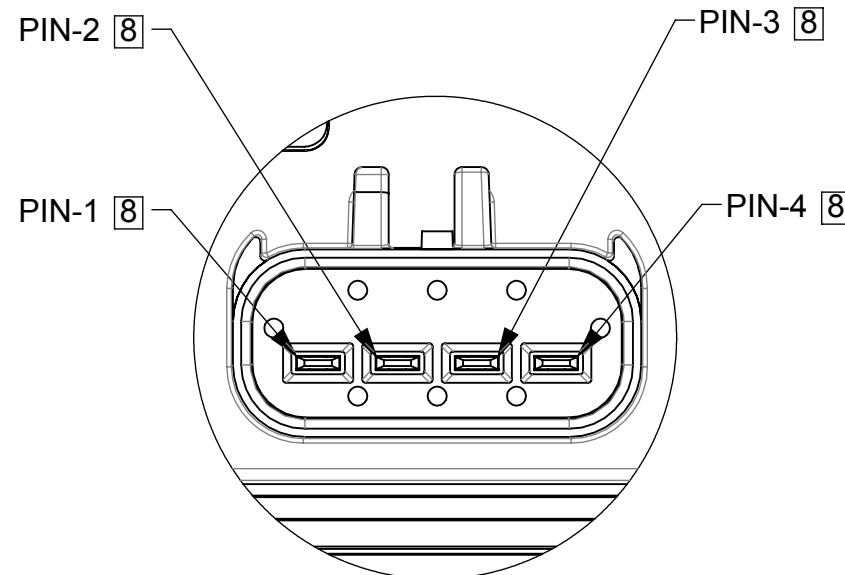
NOTES: (UNLESS OTHERWISE SPECIFIED)

- 1. ASSOCIATED CAD FILE DEFINES ALL NON-DIMENSIONED FEATURES.
- 2. UNIT WEIGHT: 0.34 Kg.
- 3. FUSES SHOWN FOR REFERENCE ONLY. FOR MORE INFORMATION SEE FUSE TABLE.
- 4. TORQUE FOR M8 FASTENERS = 20N-m (14.75 Ft-Lb)
- 5. BOTTOM OF THE UNIT SHOULD NEVER FACE UP.
- 6. INSTALLATION TORQUE FOR PAN PHILIPS HEAD SCREW = 3.0 N-m (27 in-lb)
- 7. MAXIMUM APPLICABLE SCREW LENGTH = 13MM
- 8. PIN CALLOUT: REFER TO PIN CALLOUT TABLE FOR DETAILS.

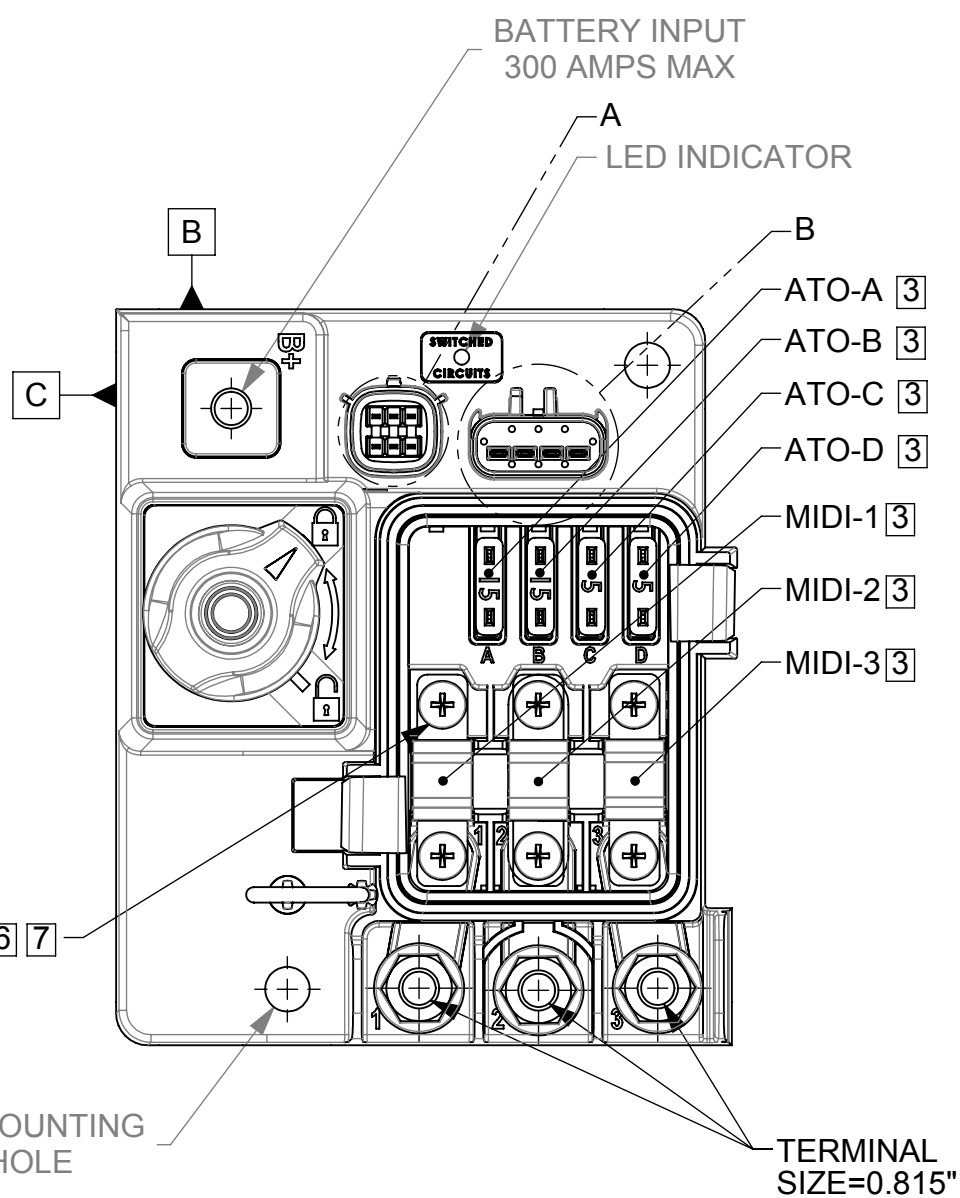
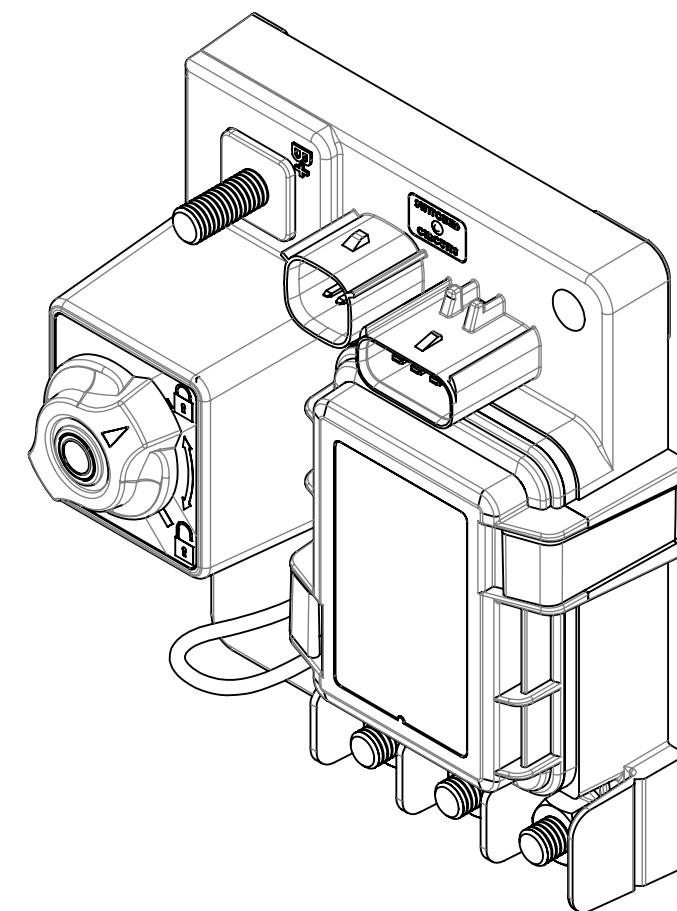
REVISIONS				
ZONE	REV.	DESCRIPTION	DATE	APPROVED
	A	PER EC#515700: INITIAL RELEASE OUT LINE DRAWING	3/22/2016	J. LIU



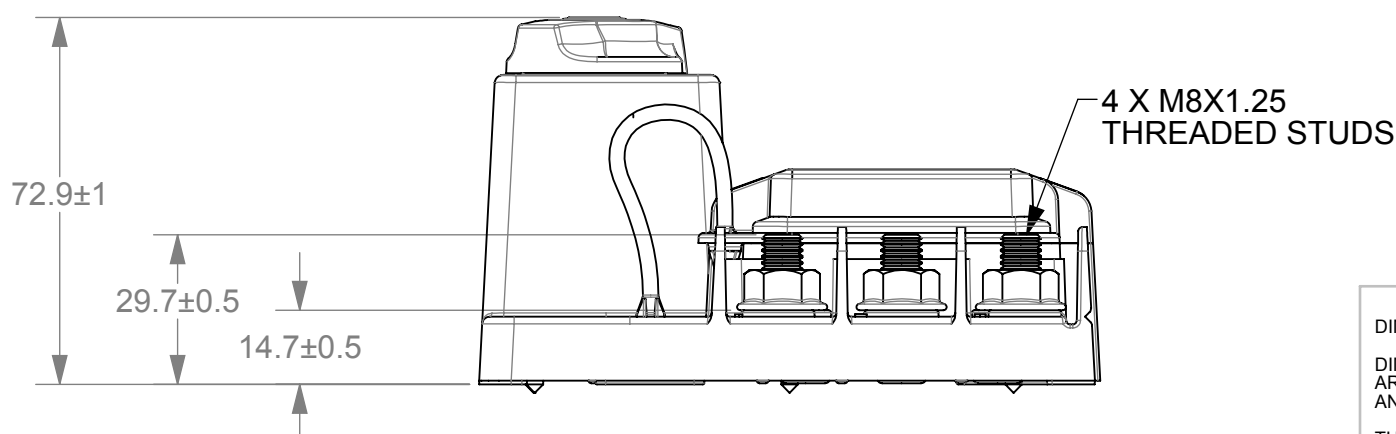
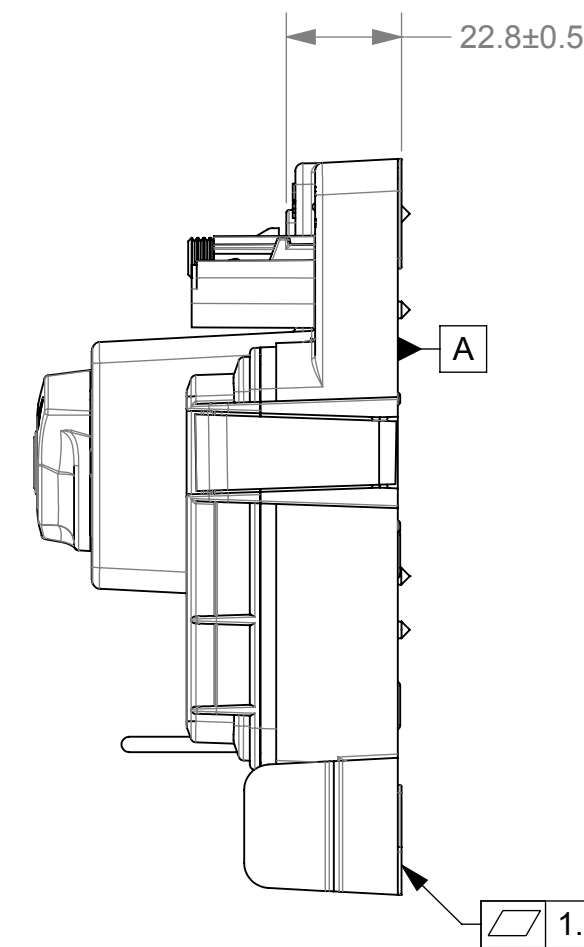
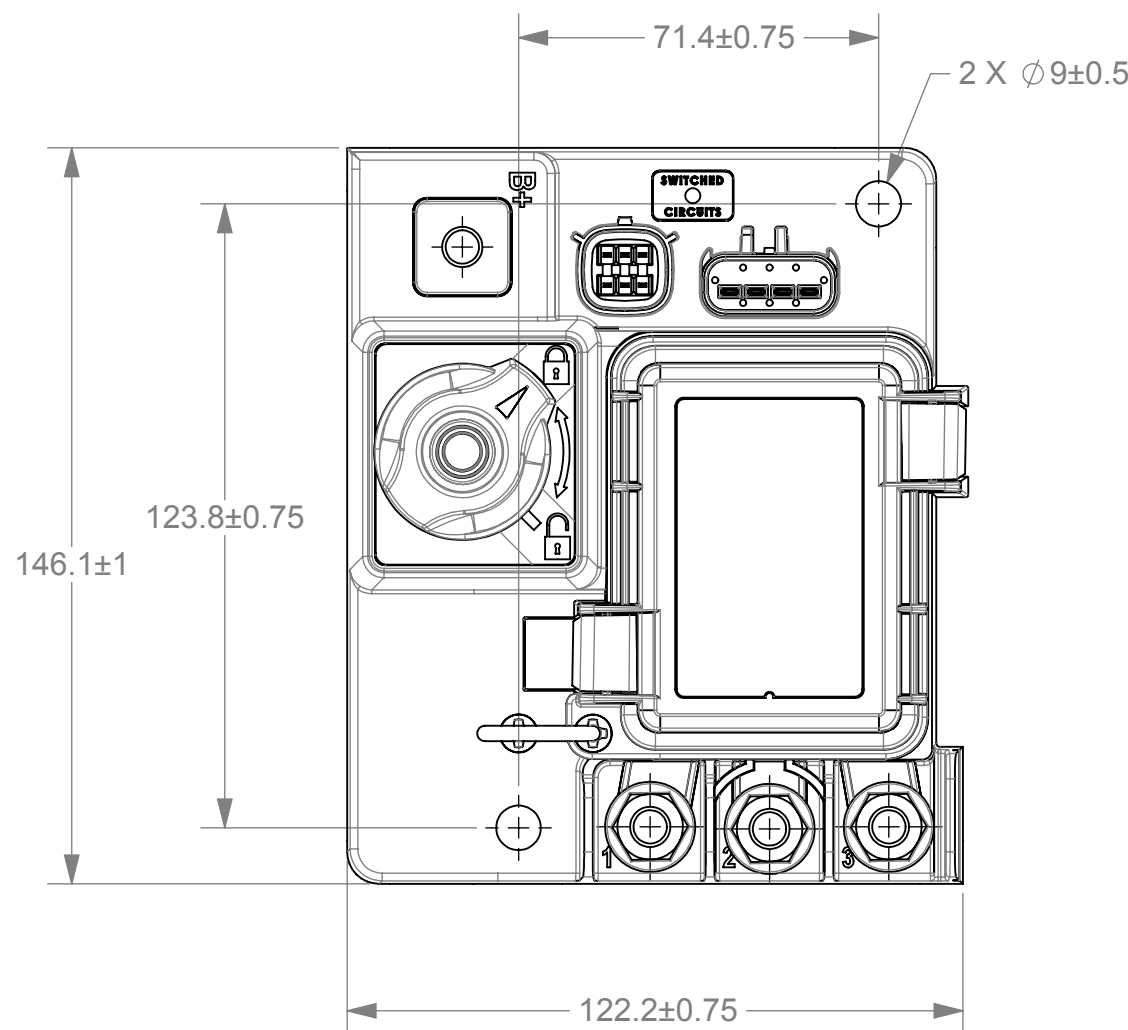
DETAIL A
SCALE 2 : 1
CONNECTOR FOR PRIMARY SOLENOID CONTROL
MATE WITH 23-13662-600



DETAIL B
SCALE 2 : 1
CONNECTOR FOR KEEP ALIVE CIRCUIT
MATE WITH 23-13153-410



FRONT COVER REMOVED
FUSES SHOWN FOR REFERENCE ONLY



FUSE TABLE		
FUSE	DESCRIPTION	MAX. FUSE ALLOWED
ATO-A	KEEP ALIVE POWER	30 AMS
ATO-B	KEEP ALIVE POWER	30 AMPS
ATO-C	KEEP ALIVE POWER	30 AMPS
ATO-D	KEEP ALIVE POWER	30 AMPS
MIDI-1 (FUSE-1)	HIGH AMP FUSE	200 AMPS
MIDI-2 (FUSE-2)	HIGH AMP FUSE	200 AMPS
MIDI-3 (FUSE-3)	HIGH AMP FUSE	200 AMPS

PIN CALLOUT TABLE			
6-PIN MOLEX		4-PIN FCI	
PIN #	FUNCTION	PIN #	FUNCTION
1	GROUND	1	OUTPUT ATO-A
2	OFF SIGNAL	2	OUTPUT ATO-B
3	LED PULL DOWN	3	OUTPUT ATO-C
4	SW POWER	4	OUTPUT ATO-D
5	SW INPUT		
6	GROUND		

DIMENSIONS ARE IN MM.
DIMENSIONS AND TOLERANCES ARE DEFINED ACCORDING TO ANSI / ASME Y14.5M-1994
THIS DRAWING AND THE INFORMATION CONTAINED WITHIN IT ARE CONFIDENTIAL AND MAY NOT BE COPIED OR DISCLOSED WITHOUT THE WRITTEN PERMISSION OF LITTELFUSE.

NAME	DATE
DRAWN J. LIU	3/22/2016
CHECKED	

Littelfuse
 Expertise Applied | Americas Division
 805 W. Orchard Dr., Ste. 6, Bellingham, WA 98225
 Phone (360)738-9010 Fax (360)738-0372

POWER DISTRIBUTION SWITCH MODULE MN

SIZE DWG. NO. REV.
 C OL-880076 A

SCALE 2:3 SHEET 1 OF 1