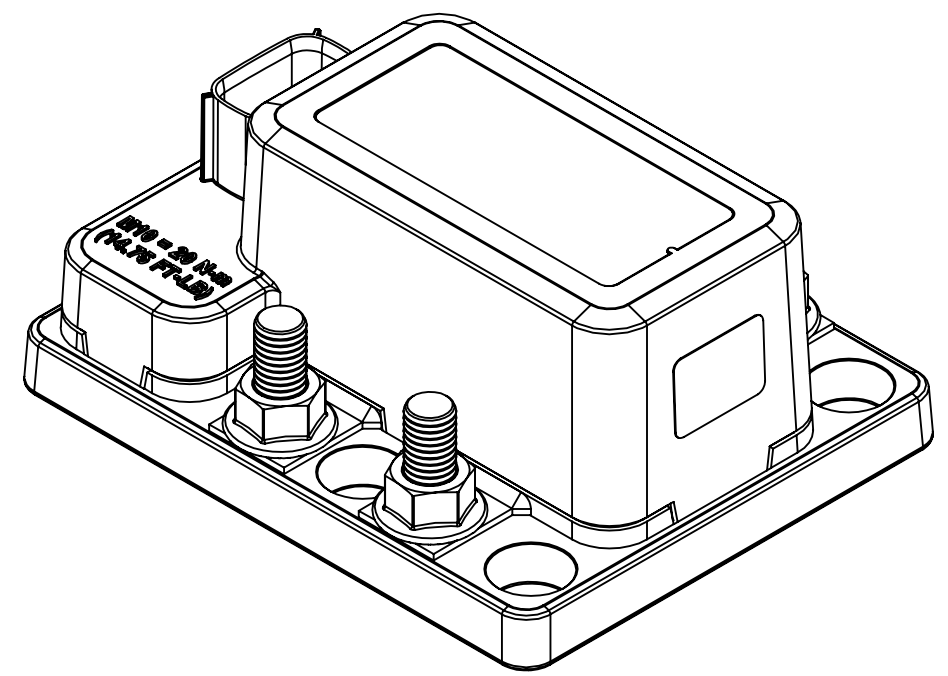
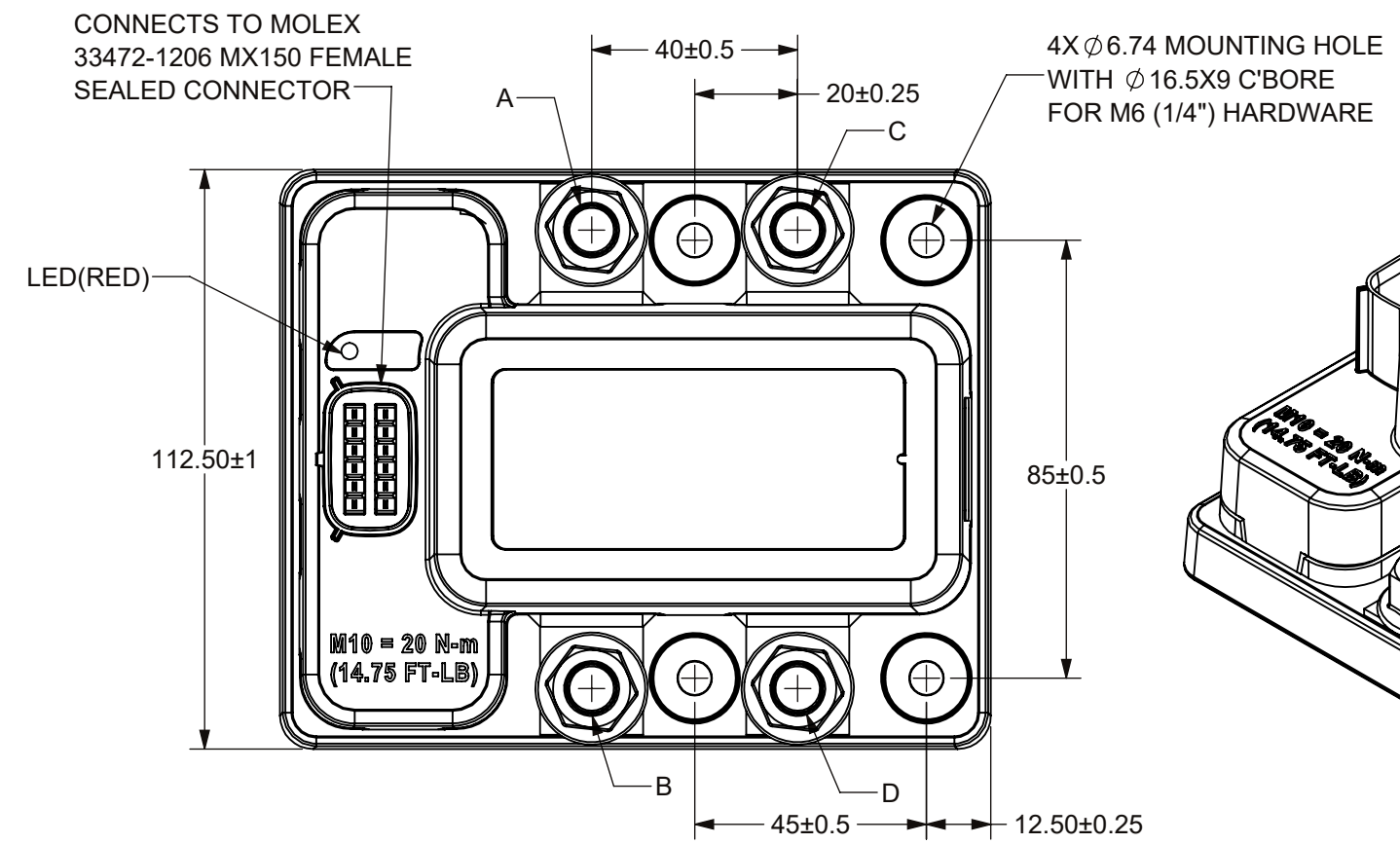
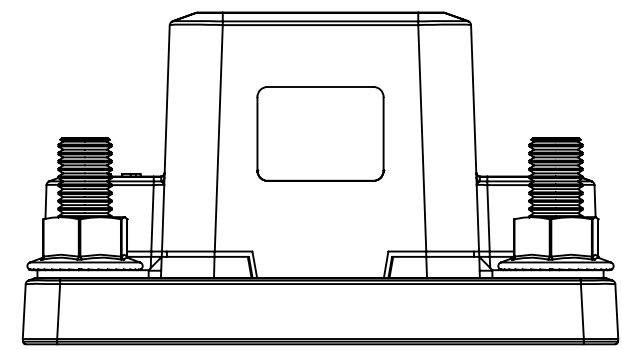
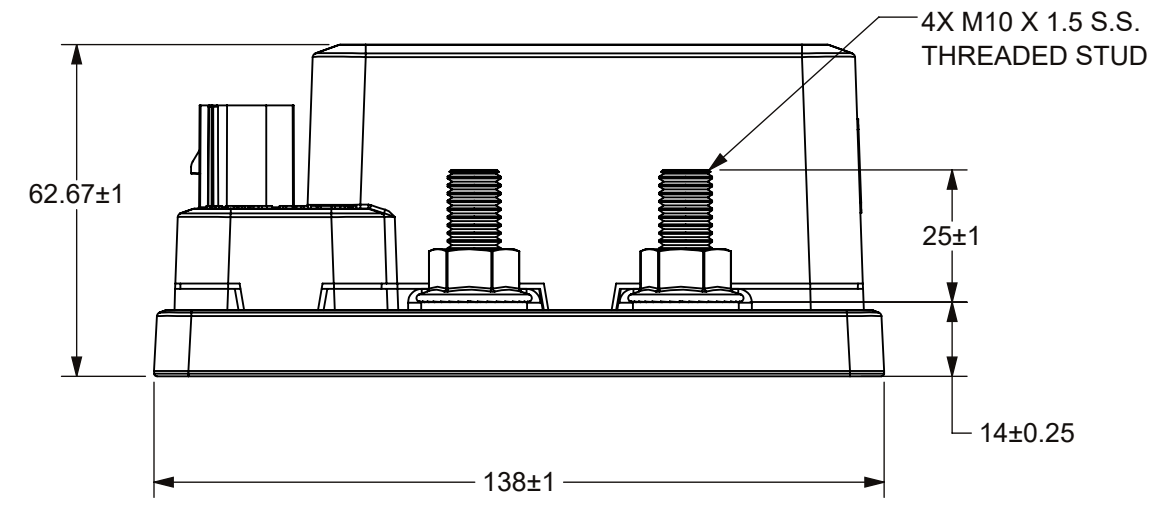


THIS DRAWING AND THE INFORMATION CONTAINED WITHIN IT ARE CONFIDENTIAL AND MAY NOT BE COPIED OR DISCLOSED WITHOUT THE WRITTEN PERMISSION OF LITTELFUSE.

REVISIONS				
ZONE	REV.	DESCRIPTION	DATE	APPROVED
	A	PCO #5300280. INITIAL RELEASE. DSILVA	6/13/2023	E.FLORES



- 1.- INPUT VOLTAGE: 9-16V.
- 2.- MAX CONTINUOUS CURRENT: 600A (300A PER POLE).
- 3.- MAX INTERMITTENT CURRENT (30 SEC): 1,000 A.
- 4.- MAX INRUSH CURRENT (1 SEC): 2,00 A.
- 5.- MOUNTING HARDWARE: M6 OR 1/4"
- 6.- RECOMMENDED MOUNTING BOLT TORQUE: 20 N-m MAX.
- 7.- RECOMMENDED INPUT-OUTPUT STUD TORQUE: 20 N-m MAX
- 8.- PRIMARY CONTACT VOLTAGE: 9V-32V.
- 9.- DIMENSION IN mm

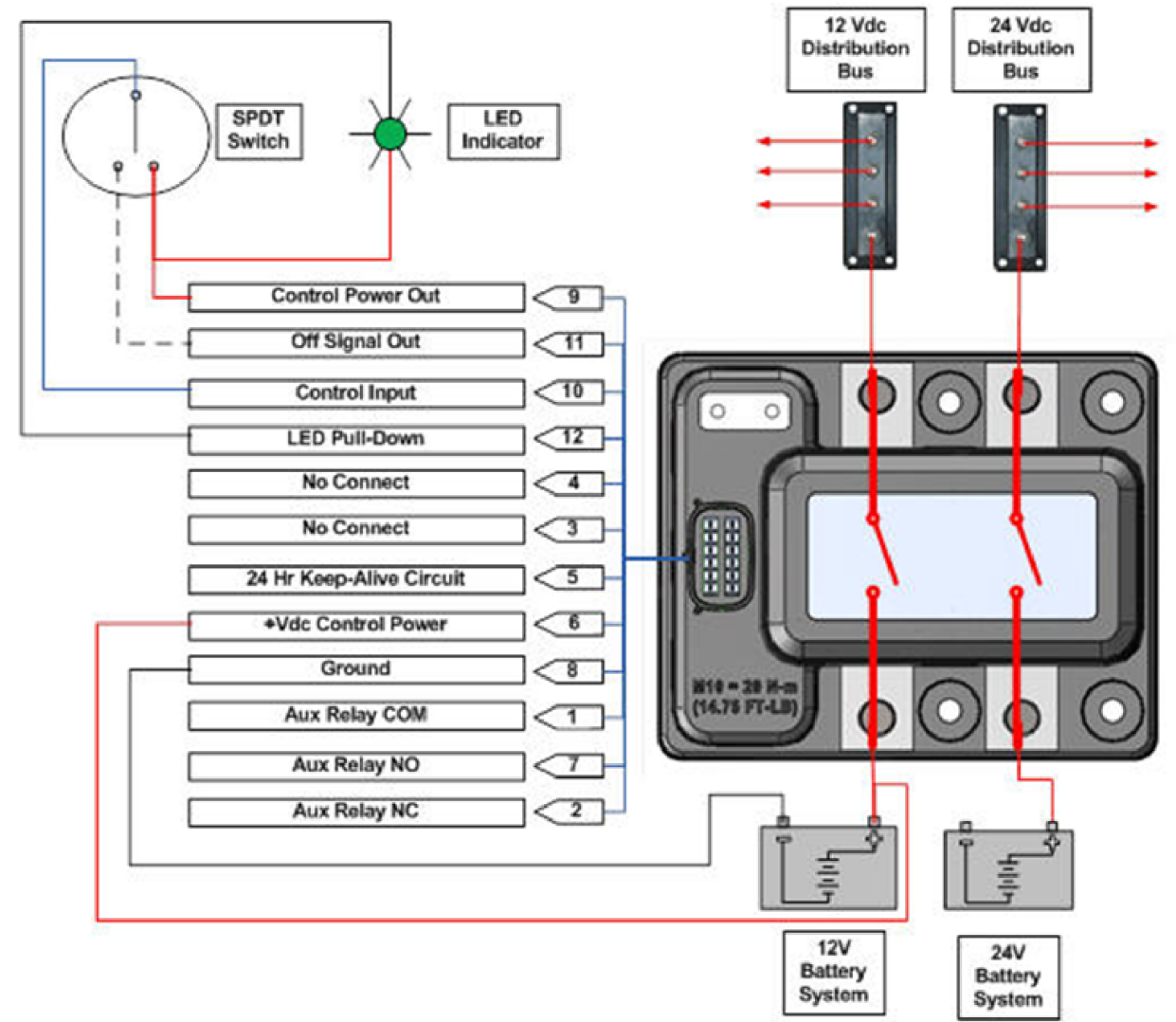
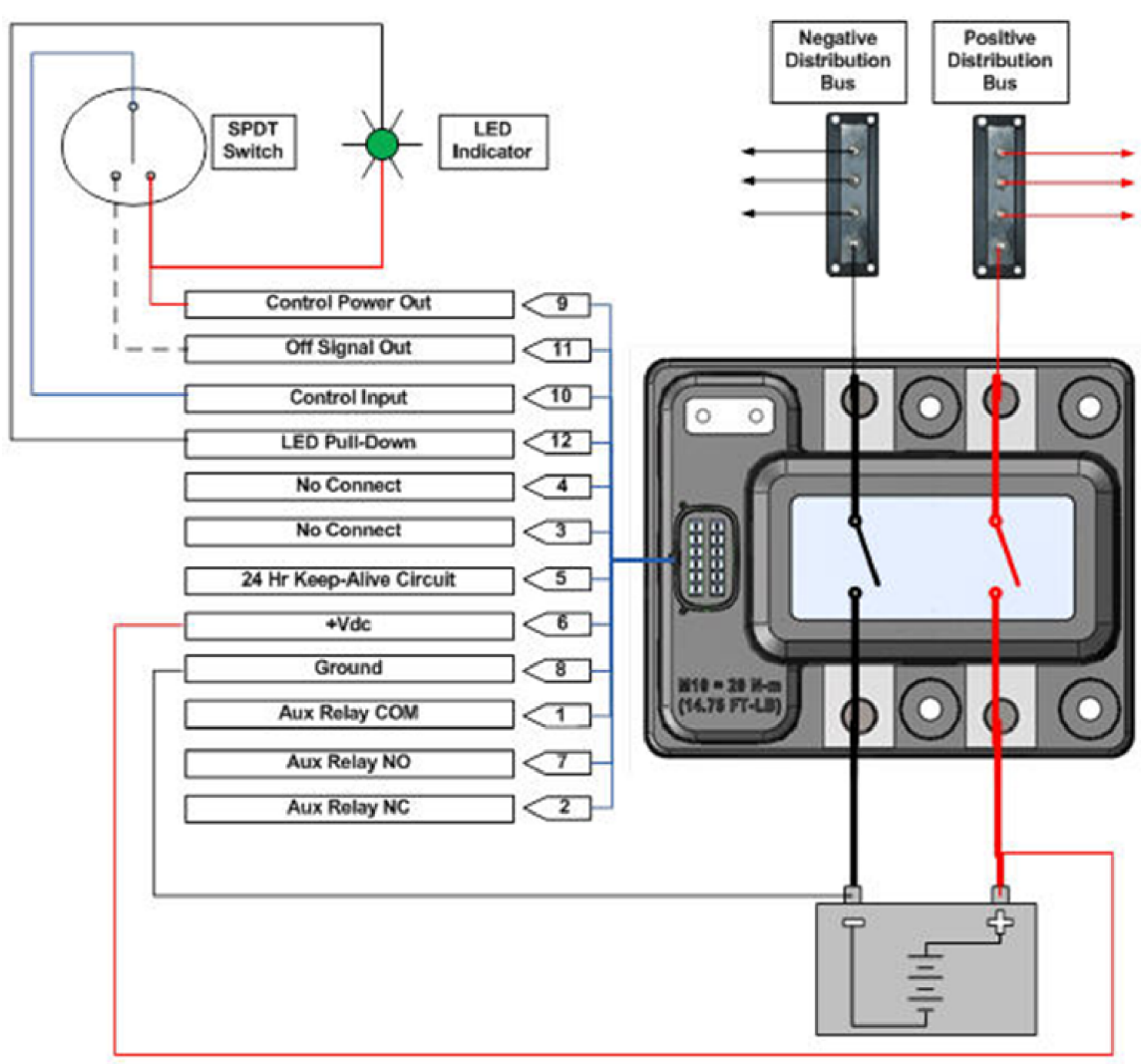


DIMENSIONS ARE SHOWN IN MILLIMETERS. DIMENSIONS AND TOLERANCES ARE DEFINED ACCORDING TO ANSI/ASME Y14.5-1994.

●	FIT/ FUNCTION CRITICAL CHARACTERISTICS
<S>	SAFETY/ COMPLIANCE CRITICAL CHARACTERISTICS SYMBOL
CPK	DENOTES CPK DIMENSIONS MINIMUM CPK VALUE
ST	DENOTES A CHARACTERISTIC THAT PROVIDES AN INDICATION OF PROCESS PERFORMANCE.PROCEDURE FOR MEASUREMENTAND TRACKING TO BE DEFINED IN LITTELFUSE INSPECTION INSTRUCTIONS
CP	DENOTES CP DIMENSIONS. -MINIMUM CP VALUE MUST BE WITHIN THE DIMENSIONAL LIMITATIONS SHOWN ON DRAWING AND INITIALLY LOCATED TO ALLOW FOR MAXIMUM TOOL LIFE

NAME	DATE	<p>Littelfuse Expertise Applied Answers Delivered</p>
DRAWN F. KAUMAN	03/27/2012	
CHECKED -	-	
-	-	
FORM NO: CVP-PE40-0003 REV B	TITLE	RELAY SDR-7 DOUBLE POLE, 12V, 24V
THIRD ANGLE PROJECTION	SIZE	DWG. NO. OL-880107
DO NOT SCALE DRAWING	B	OUTLINE
SCALE 1:10	REV. A	SHEET 1 OF 2

THIS DRAWING AND THE INFORMATION CONTAINED WITHIN IT ARE CONFIDENTIAL AND MAY NOT BE COPIED OR DISCLOSED WITHOUT THE WRITTEN PERMISSION OF LITTELFUSE.



CONNECTOR PIN #	REFERENCE	DESCRIPTION	SDR-7
1	AUX_COM	AUXILIARY RELAY COMMON PIN.	O
2	AUX_NC	AUXILIARY RELAY NORMALLY CLOSED PIN.	O
3	PNB_LED	LOGIC INPUT LINE, PULLED TO GROUND TO ACTIVATE.	X
4	VSENSE3	VOLTAGE SENSE #3 FOR BATTERY COMBINER FUNCTIONALITY	X
5	VDC_AUX_OUT	+Vdc FUSE PROTECTED OUTPUT	O
6	VDC_INPUT	+Vdc FOR DEVICE POWER	R
7	AUX NO	AUXILIARY RELAY NORMALLY OPEN PIN	O
8	GND	GROUND FOR DEVICE POWER	R
9	SW_POWER	POWER OUTPUT TO CONTROL SWITCH AND LED INDICATOR	O
10	CNTRL_IN	REMOTE CONTROL INPUT	R
11	SW_LO	OFF REFERENCE SIGNAL FOR CONTROL SWITCH	R
12	LED1	EXTERNAL LED PULL-DOWN LINE (ACTIVE LOW)	O

R=REQUIRED CONNECTION
O=OPTIONAL CONNECTION
X=NO CONNECTION

DIMENSIONS ARE SHOWN IN MILLIMETERS. DIMENSIONS AND TOLERANCES ARE DEFINED ACCORDING TO ANSI/ASME Y14.5-1994.

●	FIT/ FUNCTION CRITICAL CHARACTERISTICS
<S>	SAFETY/ COMPLIANCE CRITICAL CHARACTERISTICS SYMBOL
CPK	DENOTES CPK DIMENSIONS MINIMUM CPK VALUE
(ST)	DENOTES A CHARACTERISTIC THAT PROVIDES AN INDICATION OF PROCESS PERFORMANCE. PROCEDURE FOR MEASUREMENT AND TRACKING TO BE DEFINED IN LITTELFUSE INSPECTION INSTRUCTIONS
CP	DENOTES CP DIMENSIONS. -MINIMUM CP VALUE MUST BE WITHIN THE DIMENSIONAL LIMITATIONS SHOWN ON DRAWING AND INITIALLY LOCATED TO ALLOW FOR MAXIMUM TOOL LIFE

NAME	DATE	<p>Littelfuse Expertise Applied Answers Delivered</p>
DRAWN F. KAUMAN	03/27/2012	
CHECKED -	-	
FORM NO: CVP-PE40-0003 REV B		TITLE
THIRD ANGLE PROJECTION		RELAY SDR-7 DOUBLE POLE, 12V, 24V
DO NOT SCALE DRAWING	SCALE 1:10	SIZE B DWG. NO. OL-880107 REV. A
		SHEET 2 OF 2